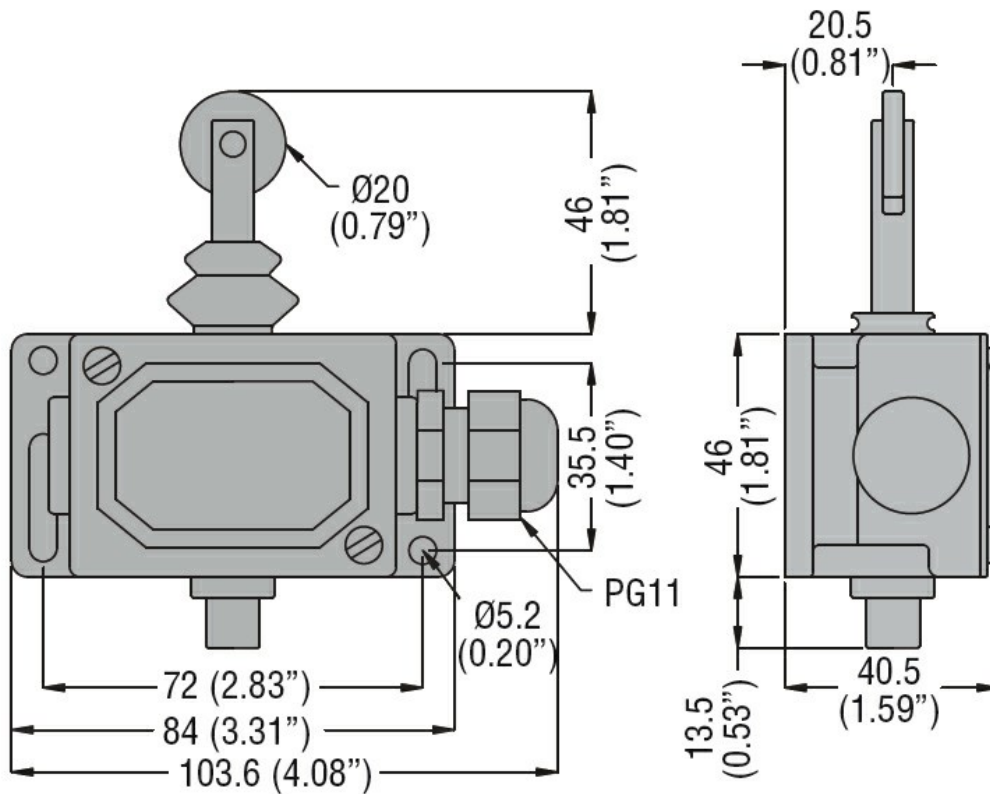


Product designation	Manual reload and magnetic release - Top roller push plunger		
Product type designation	PLA1RMW		
General characteristics			
Material	Housing	Aluminium-zinc alloy	
Contact characteristics			
Type of contact		1NC	
Thermal current I _{th}	A	10	
Rated insulation voltage U _i	V	400	
Short-circuit protection with fuse	Class/A	10 gG/SC QUICK FUSE	
IEC Conventional free air thermal current I _{th}	A	10	
Resistance per pole (average value)	mΩ	<10	
Mechanical features			
Operating head fixing		Fixed	
Tightening torque (Max)	Switch fixing	Nm lbin	2.5 22.1
Conductor section	AWG/Kcmil	max	14
	IEC	max	mm ² 2.5
Cable connection		Screw terminal with clamp	
Cable entry		PG11 with cable gland	
Weight		g	260
Operations			
Mechanical life		cycles	>10000000
Mechanical operation		cycles/h	3600
Ambient conditions			
Temperature	Operating temperature	min °C	-25
		max °C	+70
	Storage temperature	min °C	-40
		max °C	+70
Resistance & Protection			
IP degree	Body housing	IP65	
Dimensions			



Certifications and compliance

Compliance

EN 81-1.

IEC/EN 60947-1

IEC/EN 60947-5-1

Certificates

EAC

ETIM classification

ETIM 8.0

EC000030 - End switch