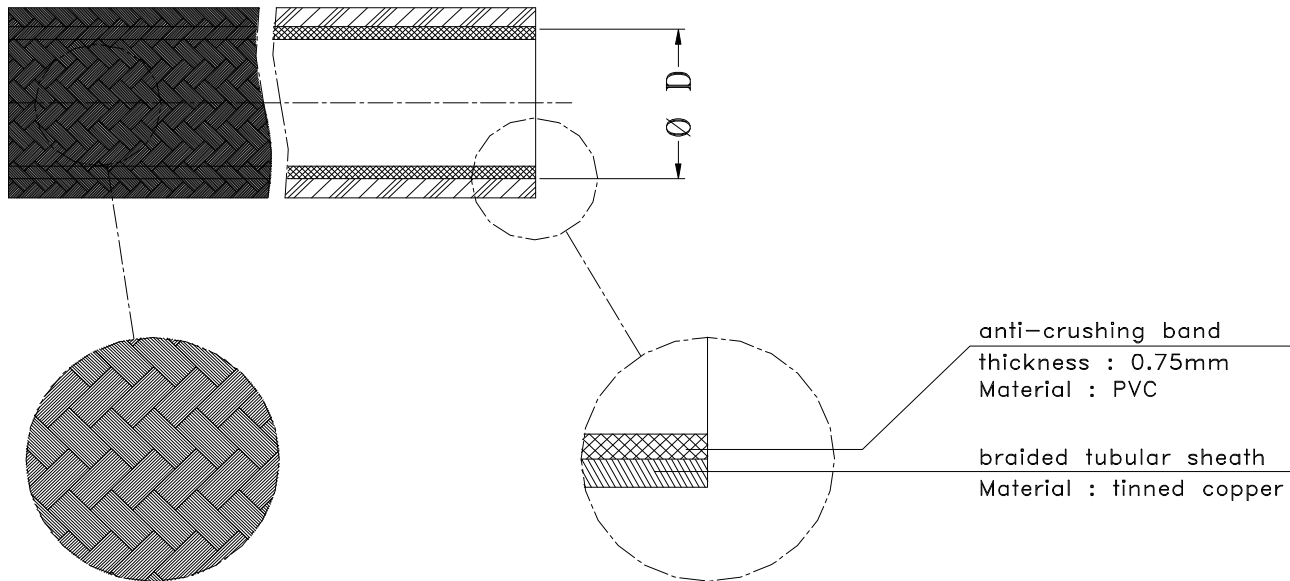


HEGTTC (Tresse Tubulaire en Cuivre Etamé) -40°C to +180°C



CHARACTERISTICS

Construction

- Main products: refer to table

Physical-chemical

- Continuous working temperatures :
-40°C to +180°C
- Good resistance to usual automotive chemical atmospheres.

PRODUCTS

The sheath is braided on an easy removable polyolefin or PVC tube.

PACKAGING

- Rolls, spools or drums.

OPTIONS

- Other inner diameters and stranding : consult us
- sheaths supplied in cut lengths : consult us
- tubular sheath of red, nickel-plated or silver-plated copper.

HANDLING

- No special conditions

EMI REQUIREMENTS

- Optical covering : about 90%

APPLICATIONS

- Interference suppression, earth, ground wire, sheathing of cable bundles.
- Mechanical protection of cable bundles.

HEGTTC (Tresse Tubulaire en Cuivre Etamé) -40°C to +180°C

Nominal value mm	Diameter Max.	Section of copper mm ²	Nominal wire diameter mm	Number of wire per bundle	Number of bundle	Total number of wire	Approx. Linear weight (without tube) Kg/Km
3	6	1.7	0.15	4	24	96	1.6
5	10	2.5	0.15	6	24	144	2.3
6	13	3.8	0.15	9	24	216	3.8
8	16	4.2	0.15	10	24	240	4.3
10	20	5.1	0.15	9	32	288	5.2
12.5	22	5.65	0.15	10	32	320	6.6
15	25	12	0.15	10	48	480	13.8
16	27	10.55	0.20	7	48	336	10.3
20	34	12.30	0.20	7	56	392	11.6
25	40	14.1	0.20	8	56	448	14.8