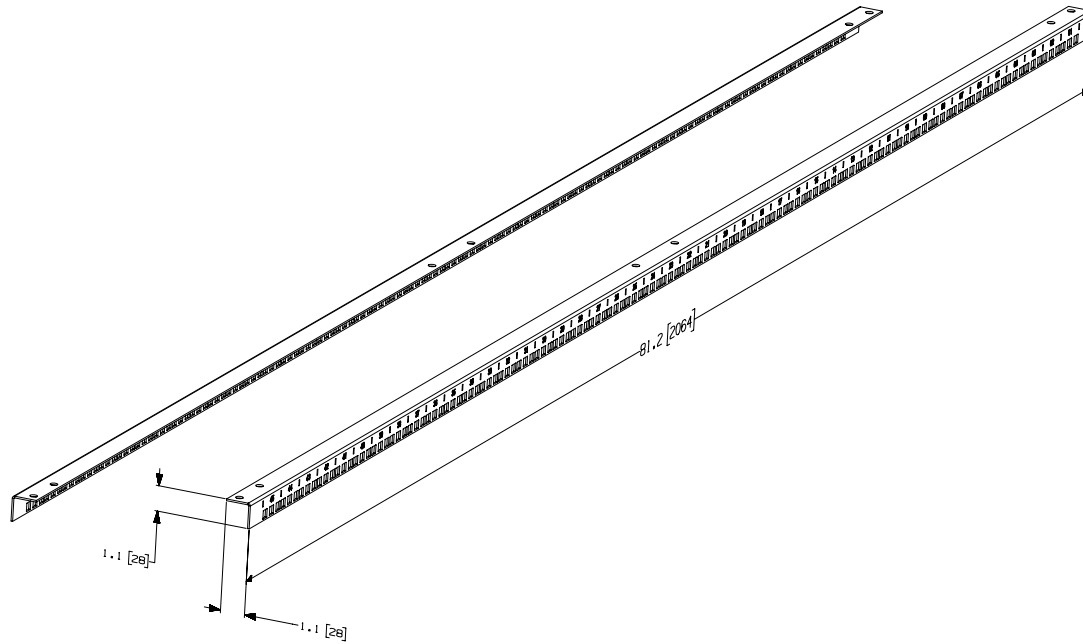


THIS COPY IS PROVIDED ON A RESTRICTED BASIS AND IS NOT TO BE USED IN ANY WAY DETRIMENTAL TO THE INTERESTS OF PANDUIT CORP.

PANDUIT P/N	WEIGHT
R4PRCN	7.0 LBS/EACH 3.2 Kgs/EACH
R4PRCNWH	7.0 LBS/EACH 3.2 Kgs/EACH



NOTES:

- VISIT OUR ON-LINE CATALOG AT WWW.PANDUIT.COM FOR A LIST OF CURRENT PARTS APPLICABLE FOR USE WITH THIS PRODUCT.
- DIMENSIONS IN PARENTHESIS ARE METRIC.
- 45 AVAILABLE RACK SPACES.
- EIA UNIVERSAL STANDARD HOLE PROGRESSION ON BOTH RAILS
.625", .625", .500", .625", .625", .500"...ETC.
- RAILS WILL MOUNT ON PANDUIT'S NEWER 7 FOOT 4 POST RACKS.
- R4PRCN INCLUDES:
 - 1- CAGENUT LEFT REAR BLACK
 - 1- CAGENUT RIGHT REAR BLACK
- R4PRCNWH INCLUDES:
 - 1- CAGENUT LEFT REAR WHITE
 - 1- CAGENUT RIGHT REAR WHITE
- ALL PARTS INCLUDE
 - 6- 5/16-18 X 3/4" SERRATED HEX WASHERHEAD BOLTS
 - 6- 5/16-18 DUAL WELD NUTS
 - 6- 5/16 GROUND WASHERS
- RU SPACING NUMBERS ARE CLEARLY PRINTED ON MOUNTING RAILS.
- RAILS CAN MOUNTED NUMBERS UP OR NUMBERS DOWN. SEE INSTRUCTION SHEET FOR INSTALLATION METHOD.

MODEL FILENAME	V10679ZX/00
CAD FILENAME/LAYERS	V10679ZX_DC/00B

REV	DATE	BY	CHK	DESCRIPTION	ECN	R	CUST	SUP	OTH
OOB	10-14-19	BAME	JEFK	ADDED P/N R4PRCNWH	M09000KJ		JEFK		
OOA	12-2-09	BAME	CMK	RELEASED TO PRODUCTION	V10679ZX-DC		CMK		

PANDUIT CORP. TINLEY PARK, ILLINOIS	
7 FOOT 4 POST CAGENUT RAILS KIT CUSTOMER DRAWING	
UNLESS OTHERWISE SPECIFIED, DIMENSIONAL TOLERANCES ARE:	
UNLESS OTHERWISE SPECIFIED, ALL DIMENSIONS ARE GIVEN IN INCHES, THIRD ANGLE PROJECTION.	
DRAWN BY BAME	MAT'L: STEEL
DATE 12-2-09	SCALE NONE
CHK'D CMK	DRAWING NO. V10679ZX-DC
	DWG SIZE A