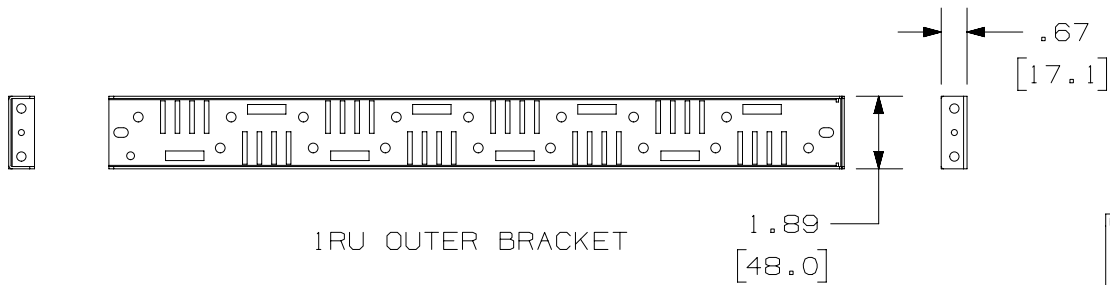
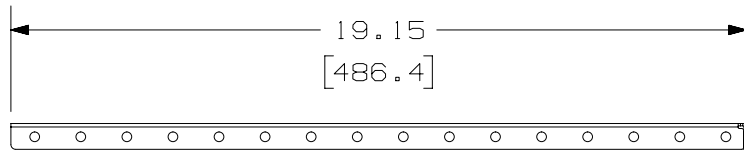
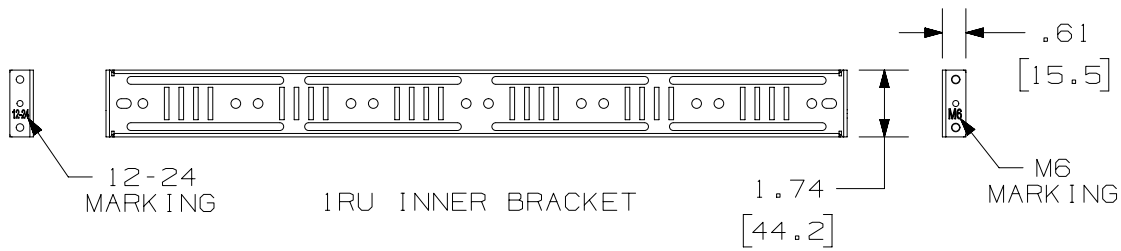
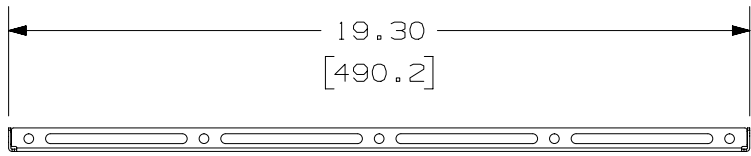
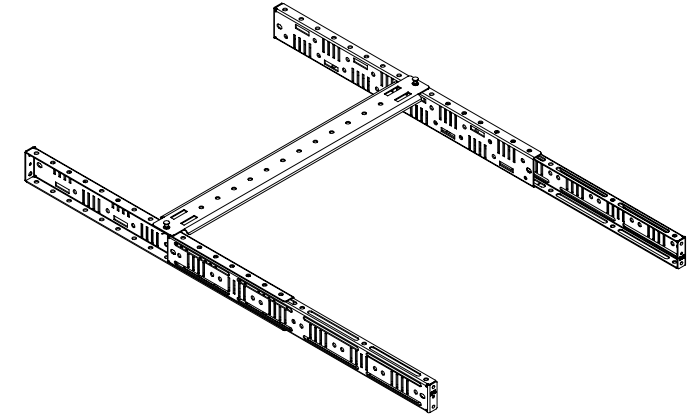


THIS COPY IS PROVIDED ON A RESTRICTED BASIS AND IS NOT TO BE USED IN ANY WAY DETRIMENTAL TO THE INTERESTS OF PANDUIT CORP.



- NOTES:
- VISIT OUR ON-LINE CATALOG AT WWW.PANDUIT.COM FOR A LIST OF CURRENT PARTS APPLICABLE FOR USE WITH THIS PRODUCT.
 - DIMENSIONS IN [] ARE METRIC (mm).
 - OVERALL ASSEMBLED MINIMUM LENGTH = 19.38" [492mm]
OVERALL ASSEMBLED MINIMUM LENGTH = 31.95" [812mm]
 - PARTS SUPPLIED:
 - 2 - 1RU INNER BRACKET
 - 2 - 1RU OUTER BRACKET
 - 1 - STRAIN RELIEF BAR
 - 4 - #10-32 X 1" PAN HEAD SCREW
 - 4 - #10-32 WING NUT
 - 4 - #10 WASHERS
 - 4 - #12-24 X 1" ROUND HEAD SCREW
 - 4 - #12-24 CAGE NUTS
 - 4 - #12-24 X .5" SCREW
 - ALL MATERIALS AND COMPONENTS USED MEET THE MATERIAL RESTRICTIONS OF RoHS (EUROPEAN DIRECTIVE 2011/65/EU ON THE RESTRICTION OF HAZARDOUS SUBSTANCES) AS PROPOSED BY THE RoHS TECHNICAL ADAPTATION COMMITTEE.
 - SEE DOCUMENTS FS113 MARKING FOR PRODUCT INSTALLATION.



PANDUIT PART NO.	WEIGHT
FLEX-CM-1UBKIT	4.4 LBS. (2 Kg)

PART NUMBER		FLEX-CM-1UBKIT		
TITLE		HD FLEX CABLE MANAGEMENT BRACKET KIT, 19"		
CUSTOMER DRAWING				
ITEM REVISION NAME		00054EAH/00		
DATASET FILE NAME		00054EAH_DC/00A		
		THIRD ANGLE PROJECTION		
MATERIAL		STEEL BRACKETS, PLASTIC RIVETS		
DRAWING NUMBER		00054EAH-DC		
REV	DATE	BY	CHK	SCALE
00A	05-30-18	SAT	TMSE	NONE
DESCRIPTION		SHEET 1 OF 1		
ECN		A		

A-SIZE CUSTOMER

2

1

2

1