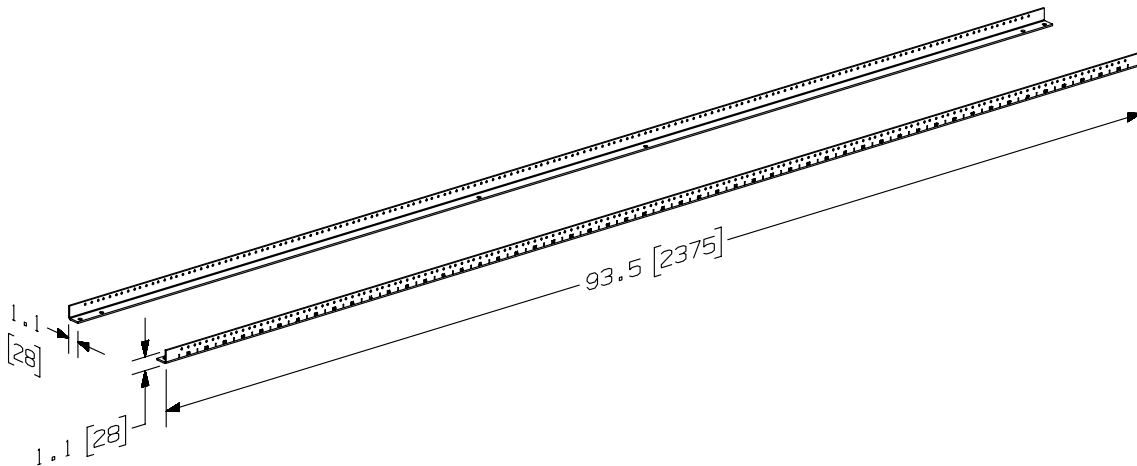
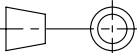


PANDUIT PART NO.	WEIGHT
R4PRT96	12.5 LBS/EACH 5.7 KGS/EACH



NOTES:

- VISIT OUR ON-LINE CATALOG AT WWW.PANDUIT.COM FOR A LIST OF CURRENT PARTS APPLICABLE FOR USE WITH THIS PRODUCT.
- DIMENSIONS IN PARENTHESIS ARE METRIC.
- 52 AVAILABLE RACK SPACES.
- EIA UNIVERSAL STANDARD HOLE PROGRESSION ON BOTH RAILS
.625", .625", .500", .625", .625", .500"...ETC.
- RAILS WILL MOUNT ON PANDUIT'S NEWER 7 FOOT 4 POST RACKS.
- PART INCLUDES:
 - 1- 8 FOOT TAPPED LEFT REAR/RIGHT FRONT RAIL
 - 1- 8 FOOT TAPPED RIGHT REAR/LEFT FRONT RAIL
 - 6- 5/16-18 X 3/4" SERRATED HEX WASHERHEAD BOLTS
 - 6- 5/16-18 DUAL WELD NUTS
 - 6- 5/16 GROUND WASHERS
- RU SPACING NUMBERS ARE CLEARLY PRINTED ON MOUNTING RAILS.
- RAILS CAN MOUNTED NUMBERS UP OR NUMBERS DOWN. SEE 4 POST RACK INSTRUCTION SHEET FOR INSTALLATION METHOD.

REV	DATE	BY	CHK	APR	DESCRIPTION	ECN	TITLE					
							8 FOOT 4 POST TAPPED RAILS KIT					
							CUSTOMER DRAWING					
							ITEM REVISION NAME V10679JK/00			PANDUIT		
							DATASET FILE NAME V10679JK_DC/00B					
							UNLESS OTHERWISE SPECIFIED, DIMENSIONAL TOLERANCES ARE: IN (mm)					
00B	2-17-15	BAME	NAGL	KRKE	UPDATED TITLE BLOCK	V10679JK-DC	.X ± .XXX ± .XX ± ANGLES ± 			MATERIAL:		
00A	6-6-11	BAME		CMK	RELEASED TO PRODUCTION	V10679JK-DC				STEEL		
							DRAWING NUMBER: V10679JK - DC					
							DRAWN BY BAME	DATE 6-6-11	CHK CMK	SCALE NONE	SHT 1 OF 1	SIZE A