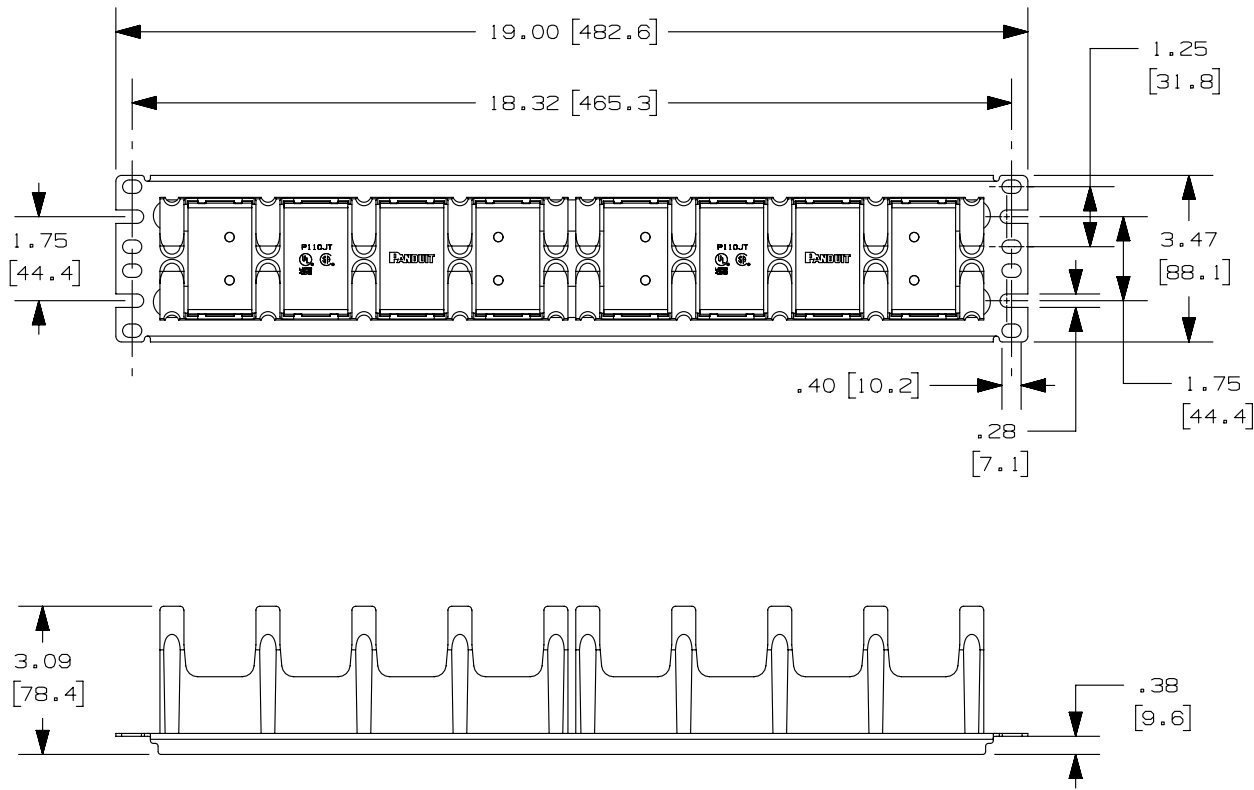


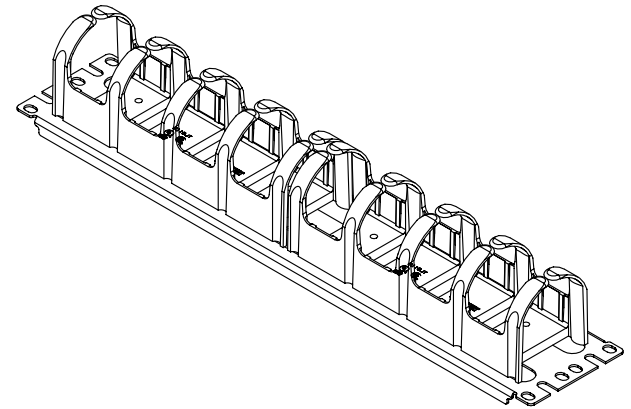
THIS COPY IS PROVIDED ON A RESTRICTED BASIS AND IS NOT TO BE USED IN ANY WAY DETRIMENTAL TO THE INTERESTS OF PANDUIT CORP.



NOTES:

1. STAMPING ASSEMBLY IS DESIGNED FOR RACK MOUNT APPLICATIONS.
2. JUMPER TROUGHS ARE PRE-ASSEMBLED TO PANELS. (4) #12-24 X .5 AND (4) METRIC M6x1x15MM SCREWS ARE ALSO PROVIDED FOR RACK MOUNTING.
3. DIMENSIONS IN BRACKETS ARE IN METRIC.

PANDUIT PART NO.	WEIGHT
P110JTR2Y	1.5 LB/ea (680.4g/ea)



PART NUMBER		P110JTR2Y	
TITLE			
TWO RACK SPACE 19" RACK MOUNT JUMPER TROUGH			
CUSTOMER DRAWING			
ITEM REVISION NAME		M02479PM/00	
DATASET FILE NAME		M02479PM_DC375/00B	
UNLESS OTHERWISE SPECIFIED, DIMENSIONAL TOLERANCES ARE: IN (mm)		MATERIAL:	
.x ± .xx ± .03 (.8)		JUMPER TROUGH: PC BRACKET: 16 GAUGE C.R.S.	
.xxx ± .010 (.3)		DRAWING NUMBER:	
ANGLES ±		02479-375	
THIRD ANGLE PROJECTION		SHT 1 OF 1	
DRAWN BY	DATE	CHK	SCALE
LZ	9-30-03	REFR	NONE
REV	DATE	BY	CHK
1	5-28-14	MDJR	REFR
R	5-28-07	MDJR	

REV	DATE	BY	CHK	APR	DESCRIPTION	ECN
1	5-28-14	MDJR	REFR	MMR	A. UPDATED TITLE BLOCK.	02479-375
R	5-28-07	MDJR			RELEASED TO PRODUCTION	02479-375

D10100DA/14

2

1

2

1