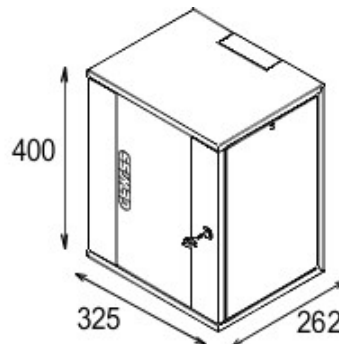




A system complete with components and accessories for LAN network cabling set-ups (both copper and optical fiber). The range includes also wall-mounting and floor-standing cabinets, from 10" and 19", with modern and innovative design, characterised by extremely easy wiring thanks to large internal volumes and lateral space. These solutions reduce installation time and allow for quick configuration at any moment, on the basis of new usage requirements.

Catégorie	10" wall-mount cabinet	Matière	Acier
Finition	Textured	Couleur	Grey (RAL 7035)
Unité de câblage	8U	Type de porte	Reversible
No. uprights	2	Dim. externes LxHxP (mm)	325x400x262
Indice de protection	IP20	Electrocod	3752

### DIMENSIONS



### SYMBOLE TECHNIQUE

**IP**

IP20

### NORMES ET HOMOLOGATIONS

