

Part number

CX 01 JM



Male modular insert, Mixo Data series, RJ45, 2 modules, without connector, for 1 RJ45 connector and 4 10 A CD contacts

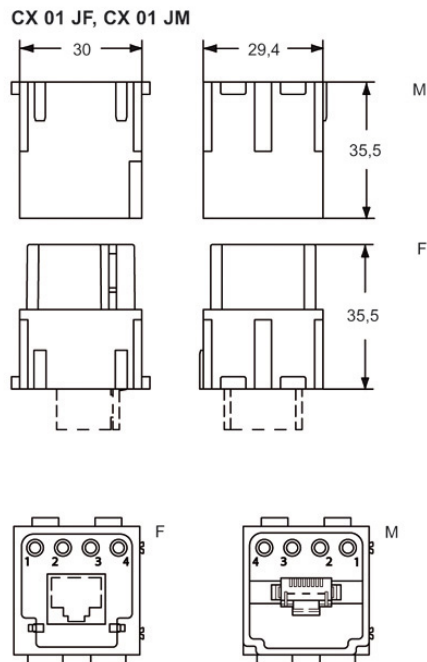
Product description		Material properties	
Product type	Modular insert	Main material	Polycarbonate (PC)
Series	Mixo Data	Colour	RAL 7032 grey
Connection type	RJ45	RoHs conformity	Compliant
Gender	Male	China RoHs - EFUP	E
N. of poles	1 seat for RJ45 connector	REACH SVHC substances	No
Auxiliary poles	4D	Approvals / Standards	
Size	2 modules	Reference standard	EN 61984:2009-06
Specification	For 1 RJ45 connector and 4 10 A CD contacts RJ45, adapter for Cat. 6A male connector	Certifications	CSA, CQC, DNV, BV, EAC
Technical data		UL	ECBT2
Current	1 A	cUL	ECBT8
Rated voltage according to UL/CSA	600V	General ordering information	
IP degree of protection	IP20 without enclosure, IP65/IP66/IP68/IP69 with enclosure	EAN13 code	8015747166010
Further technical details		eCl@ss 8.1	27440205
Characteristics according to EN 61984	10A 250V 4kV 3	ETIM 7.0	EC000438
Insulation resistance	≥ 10 GΩ	Packaging Information	
Contact resistance	≤ 3 mΩ	Packaging length	350,00 mm
Weight	16,00 g	Packaging height	105,00 mm
Operating temperature range (min, max)	-40°C ... +120°C	Packaging width	145,00 mm
UL 94 flammability rating	V-0	Packaging weight	1,12 kg
		Packaging volume	5,33 dm ³
		Packaging description	Carton box
		Packaging quantity	60 Pcs
		Packaging EAN code	8015747221030
		Sub-packaging length	35,00 mm
		Sub-packaging height	40,00 mm
		Sub-packaging width	155,00 mm
		Sub-packaging weight	0,09 kg
		Sub-packaging volume	0,22 dm ³
		Sub-packaging description	Carton tray
		Sub-packaging quantity	5 Pcs
		Sub-packaging EAN barcode	8015747166058

Part number

CX 01 JM



Catalogue drawings



Notes

Standard modular inserts:

-in combination with standard contacts and standard frames (CX ... TF/TM); must be mounted either in traditional enclosures or in COB panel supports (both up to 500 matings).

Dimensions shown in mm are not binding and may be changed without notice.
