

Part number

TM 1663 SSP



Interlocked switched socket-outlet, TM series,
2 poles + PE, 6 h (blue), 16 A, 200 ÷ 250 V,
without fuse-carrier, without base box

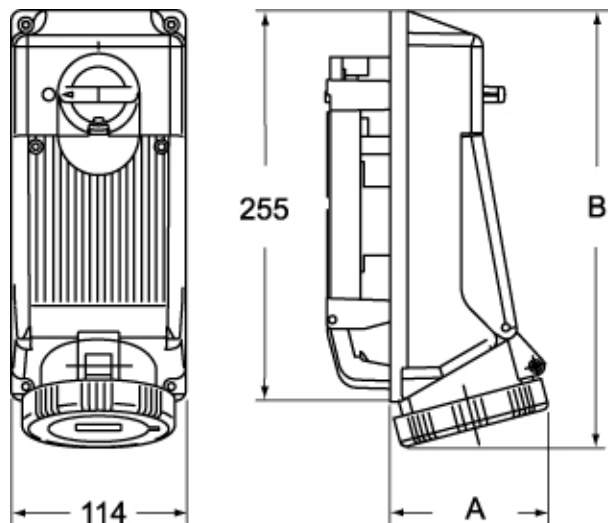
Product description		Material properties	
Product type	Interlocked switched socket-outlet	Colour	RAL 7012 grey, RAL 5015 blue
Series	TM..SSP/KSSP		Compliant with exemption 6(c): copper alloy containing up to 4% lead by weight
N. of poles	2 poles +	RoHs conformity	50
Clock position	6	China RoHs - EFUP	50
Size	114 x 255 mm fixing distance, for assembly in single or multiple boxes	REACH SVHC substances	Yes Lead
Specification	Without fuse-carrier Without base box	SCIP number	Ce861c8d-b979-403b-96d9-80aef6dc281d
Technical data		Approvals / Standards	
Current	16 A	Reference standard	EN 60309-1, -2 e -4
Voltage	200 ÷ 250 V	General ordering information	
IP degree of protection	IP66 / IP67	EAN13 code	8015747100779
Further technical details		Packaging Information	
Weight	1.000,00 g	Packaging weight	9,45 kg
Operating temperature range (min, max)	-25°C ... +40°C	Packaging volume	52,36 dm ³
UL 94 flammability rating	V-2	Packaging description	Carton box
IK rating (impact degree of protection)	IK10	Packaging quantity	9 Pcs
		Packaging EAN code	8015747103367
		Sub-packaging length	95,00 mm
		Sub-packaging height	40,00 mm
		Sub-packaging width	253,00 mm
		Sub-packaging weight	1,05 kg
		Sub-packaging volume	0,96 dm ³
		Sub-packaging description	Plastic packaging
		Sub-packaging quantity	1 Pcs
		Sub-packaging EAN barcode	8015747103374

Part number

TM 1663 SSP



Catalogue drawings



	A	B
2P+⊕	83	276
3P+⊕	85	276
3P+N+⊕	90	277

Notes

Dimensions shown in mm are not binding and may be changed without notice.
