

Part number

# MFO 32.32



Hood, C-TYPE series, with 4 pegs, M32 side cable entry without adapter, size "77.62"

Product description		Material properties	
Product type	Hood	Colour	RAL 7040 grey
Series	C-TYPE	RoHs conformity	Compliant
Closing type	With 4 pegs	China RoHs - EFUP	E
Size	Size 77.62	REACH SVHC substances	No
Cable entry	Side cable entry M32	<b>Approvals / Standards</b>	
<b>Technical data</b>		Certifications	DNV, BV
IP degree of protection	IP65 / IP66 / IP69	UL	ECBT2
<b>Further technical details</b>		cUL	ECBT8
Weight	382,00 g	<b>General ordering information</b>	
Operating temperature range (min, max)	-40°C...+125°C	EAN13 code	8015747152006
		eCl@ss 8.1	27440202
		ETIM 7.0	EC000437
		<b>Packaging Information</b>	
		Packaging length	370,00 mm
		Packaging height	140,00 mm
		Packaging width	210,00 mm
		Packaging weight	3,31 kg
		Packaging volume	10,88 dm <sup>3</sup>
		Packaging description	Carton box
		Packaging quantity	8 Pcs
		Packaging EAN code	8015747164559
		Sub-packaging weight	0,41 kg
		Sub-packaging description	Plastic packaging
		Sub-packaging quantity	1 Pcs
		Sub-packaging EAN barcode	8015747164566

Part number

# MFO 32.32

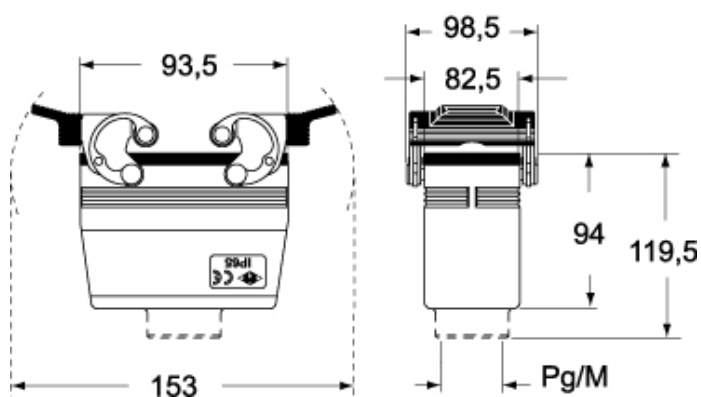


Catalogue drawings

**CHO - CHV MHO/MFO/MFV - MHV  
MMV (MMAV)**



**CHV G - MHV G - MFV G**



## Notes

Dimensions shown in mm are not binding and may be changed without notice.