

# 303

SR1154SW (SR44)  
Watch Battery  
Swiss Made

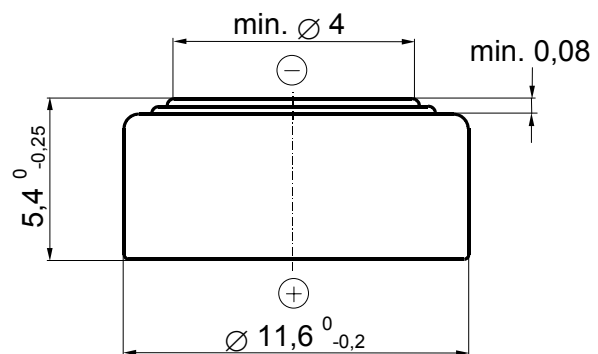
## Technical Data Sheet

### Specifications

Chemical system	Zinc / Monovalent Silver Oxide, low drain
Nominal Voltage	1,55 V
Capacity	175 mAh, Discharge over 8,25 kΩ at 20°C to 1,2 V
Internal Resistance	Below 50 Ω at 20°C
Operating Temperature	0°C – 50°C
Self Discharge	Less than 5% per year at 20°C
Weight	~2,27 g

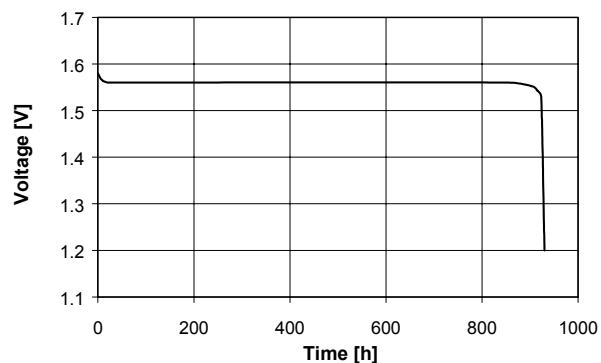
### Dimensions

Diameter	11,60 mm (0,457")
Height	5,40 mm (0,213")



### Discharge Curve

Constant Load	8,25 kΩ
Starting Drain	189,1 μA
Temperature	20°C



Rev. 303.03 06/02