

Part number

CHIS 06 L



Bulkhead mounting housing, EMC series, with 1 lever, size "44.27"

Product description

Product type	Bulkhead mounting housing
Series	EMC
Closing type	With 1 lever
Size	Size 44.27
Cable entry	Without cable entry

Technical data

IP degree of protection	IP65 / IP66 / IP69
--------------------------------	--------------------

Further technical details

Weight	112,00 g
Operating temperature range (min, max)	-40°C...+125°C

Material properties

Other materials	Lever: Stainless steel, polyamide (PA) Gasket: Conductive elastomer
RoHs conformity	Compliant
China RoHs - EFUP	E
REACH SVHC substances	No

Approvals / Standards

Certifications	DNV, BV
UL	ECBT2
cUL	ECBT8

General ordering information

EAN13 code	8015747138154
eCl@ss 8.1	27440202
ETIM 7.0	EC000437

Packaging Information

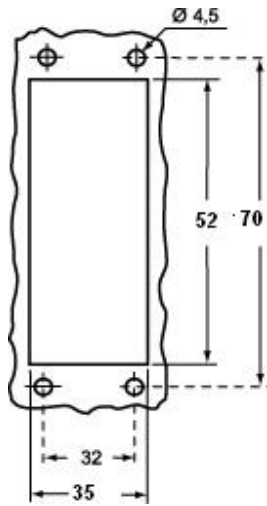
Packaging length	255,00 mm
Packaging height	195,00 mm
Packaging width	245,00 mm
Packaging weight	4,76 kg
Packaging volume	12,18 dm ³
Packaging description	Carton box
Packaging quantity	40 Pcs
Packaging EAN code	8015747139960
Sub-packaging weight	0,60 kg
Sub-packaging description	Plastic packaging
Sub-packaging quantity	5 Pcs
Sub-packaging EAN barcode	8015747139977

Part number

CHIS 06 L

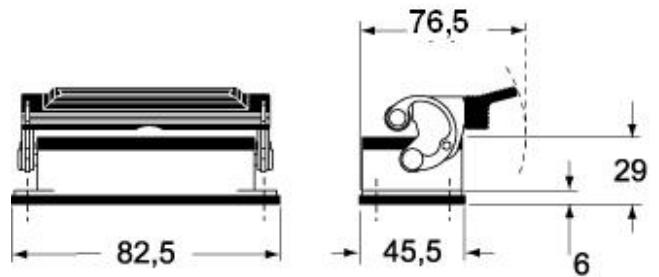


Catalogue drawings

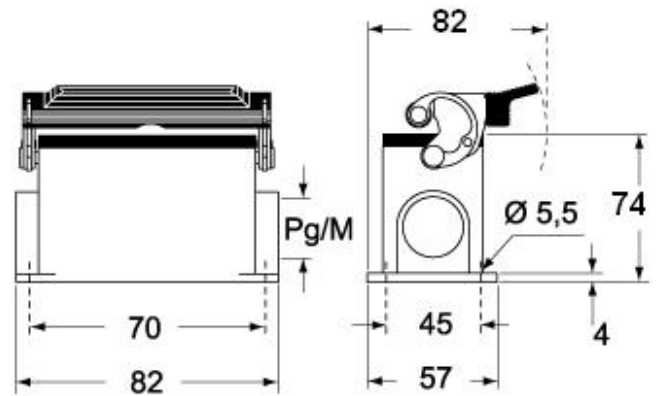


Catalogue drawings

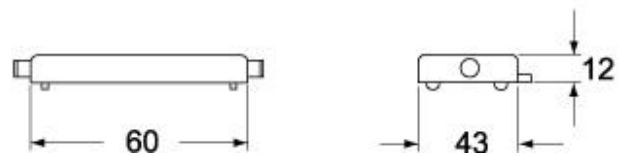
CHIS L



CAPS L - MAPS L



CHCS L



Notes

Dimensions shown in mm are not binding and may be changed without notice.