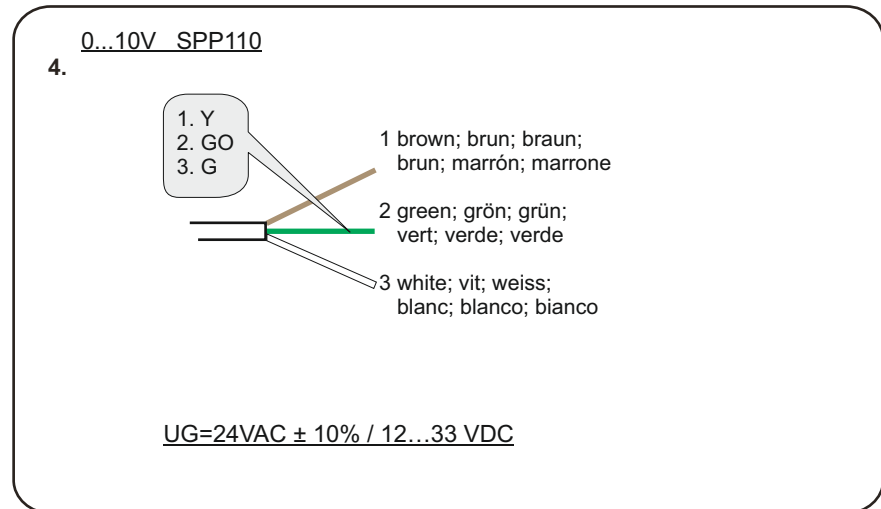
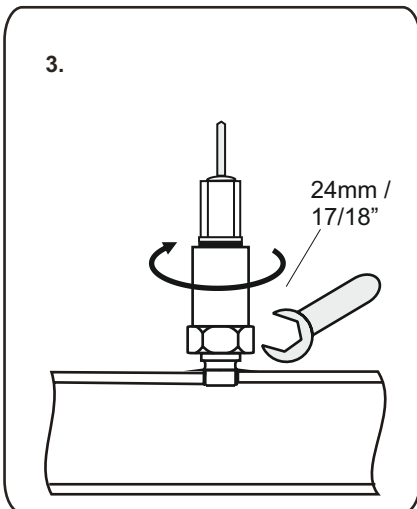
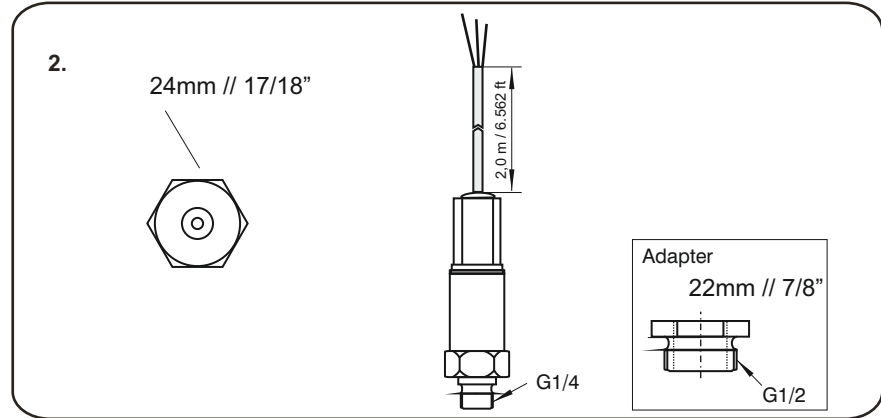
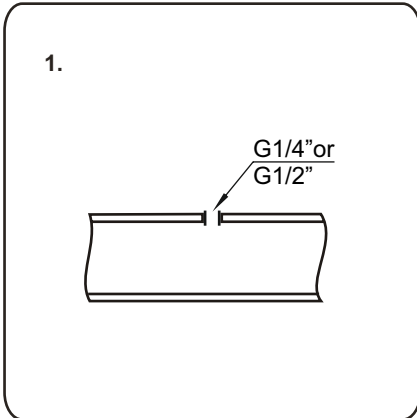


# SPP110

## Installation

Pressure transmitter wet media  
 Trycktransmitter vätskor  
 Drucktransmitter Flüssigkeiten  
 Sonde de pression fluides  
 Transmisor presión líquidos  
 Trasmettitore di pressione per liquidi

Instruction  
 Montageanvisning  
 Bedienungsanleitung  
 Instructions d'installation  
 Instrucciones de empleo  
 Istruzioni per installazioni



# SPP110

## Installation

Pressure transmitter wet media  
Trycktransmitter vätskor  
Drucktransmitter Flüssigkeiten  
Sonde de pression fluides  
Transmisor presión líquidos  
Trasmettitore di pressione per liquidi

Instruction  
Montageanvisning  
Bedienungsanleitung  
Instructions d'installation  
Instrucciones de empleo  
Istruzioni per installazioni



| 部件名称<br>Part Name                    | 有害物 - Hazardous Substances |        |      |              |            |              |
|--------------------------------------|----------------------------|--------|------|--------------|------------|--------------|
|                                      | (Pb)                       | 汞 (Hg) | (Cd) | 六价 (Cr (VI)) | 多溴 苯 (PBB) | 多溴二苯醚 (PBDE) |
| 金属部件<br>Metal parts                  | X                          | ○      | ○    | ○            | ○          | ○            |
| 塑料部件<br>Plastic parts                | ○                          | ○      | ○    | ○            | ○          | ○            |
| 子件<br>Electronic                     | ○                          | ○      | ○    | ○            | ○          | ○            |
| 触点<br>Contacts                       | ○                          | ○      | ○    | ○            | ○          | ○            |
| 和 附件<br>Cables & cabling accessories | ○                          | ○      | ○    | ○            | ○          | ○            |

本表格依据SJ/T11364的 定 制。

O: 表示 有害物 在 部件所有均 材料中的含量均在GB/T 26572 定的限量要求以下。

X: 表示 有害物 至少在 部件的某一均 材料中的含量超出GB/T 26572 定的限量要求。

(企 可在此处，根据实 情况对上表中打的技术原因 行 一步 明。)



This table is made according to SJ/T 11364.

O: indicates that the concentration of hazardous substance in all of the homogeneous materials for this part is below the limit as stipulated in GB/T 26572.

X: indicates that concentration of hazardous substance in at least one of the homogeneous materials used for this part is above the limit as stipulated in GB/T 26572