



Electronic direct-on-line starter with STO, 7A ME070FSD024

Product designation

Product type designation

**Electrical features**

Function		Direct-On-Line starter
Rated operational voltage	V	40...500
Rated frequency	Hz	50/60
Auxiliary supply voltage		24VDC
Rated current AC-3, AC-53a	A	7
Thermal protection		Integrated, class 10A
Thermal trip adjustment range		1.5...7A
Safe torque Off (STO) safety function		Built-in
IEC 61508 Safety Integrity Level		SIL3
ISO 13849-1 performance level		PL e

**Digital outputs**

Number of outputs	Nr.	2
Output type		1 relay output with C/O contact +1 PNP digital output
Output contacts ratings		Relay output: 3A 230V AC15, 2A 24V DC13 Digital output: 40mA 24VDC

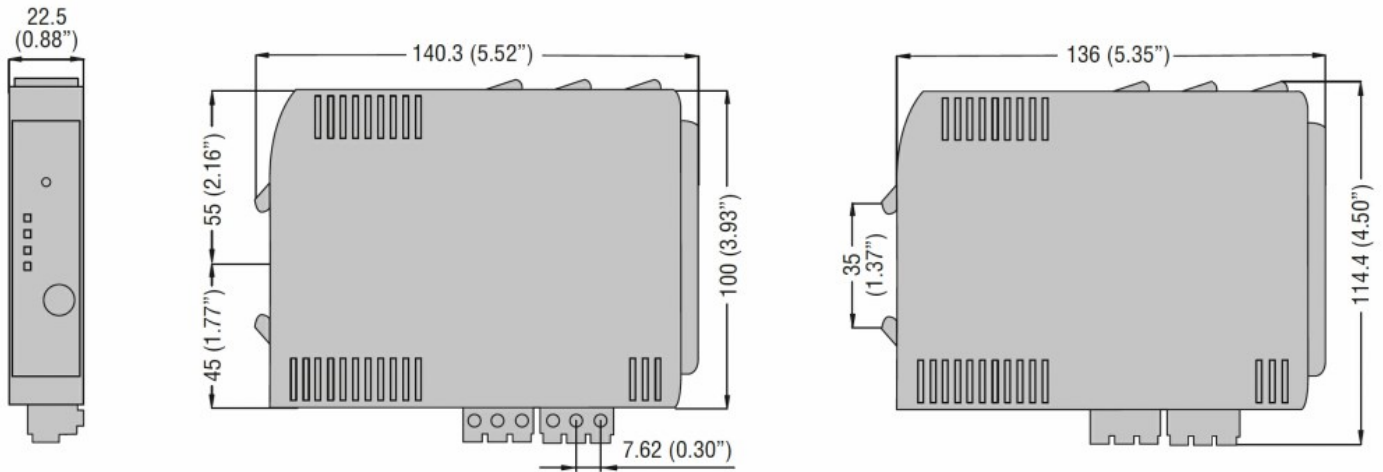
**Mechanical features**

Terminals type		Screw
Conductor section	AWG/kcmil conductor section	
	min	24
	max	14
	IEC	
	min	mm <sup>2</sup> 0.2
	max	mm <sup>2</sup> 2.5
	Tightening torque for terminals max	Nm 0.6
Cable stripping length	mm	8
Operating position	normal	Vertical
Fixing		35mm DIN rail (IEC/EN/BS 60715)
Weight	g	300

**Operations**

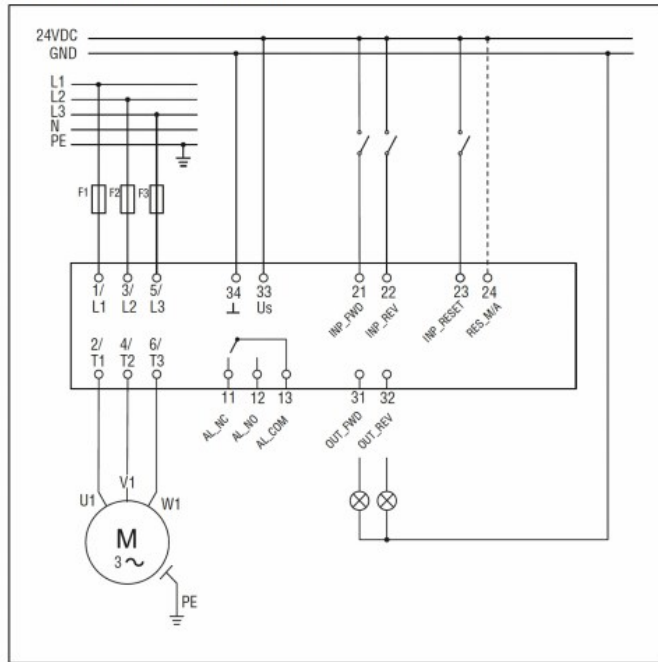
Mechanical life			cycles	15 million
Electrical life			cycles	50 million
<b>Ambient conditions</b>				
Operating temperature		min	°C	-25
		max	°C	+70
<b>Storage temperature</b>				
		min	°C	-25
		max	°C	+80
Relative humidity			%	20...90
<b>Resistance &amp; Protection</b>				
Rated insulation voltage Ui			V	500
Rated surge voltage			kV	6
Frontal IP degree				IP20
Terminals IP degree				IP20
Pollution degree				2

**Dimensions**

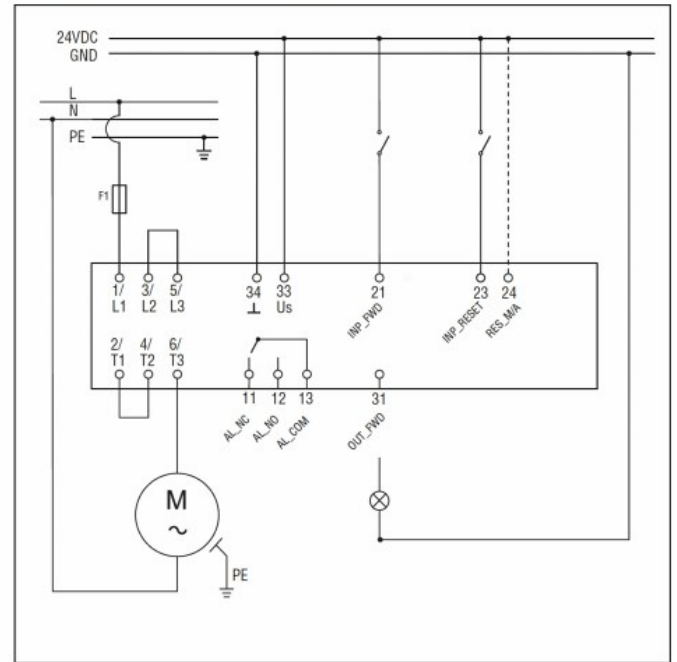


**Wiring diagrams**

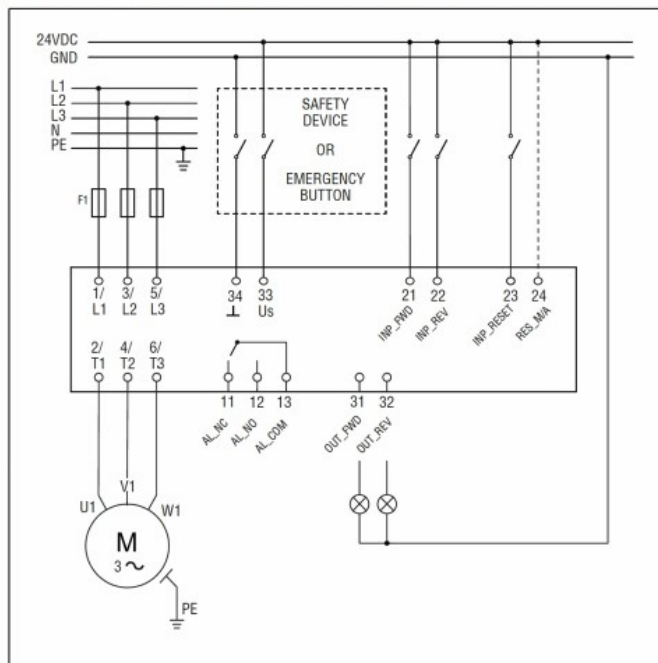
Wiring diagram for three-phase motors



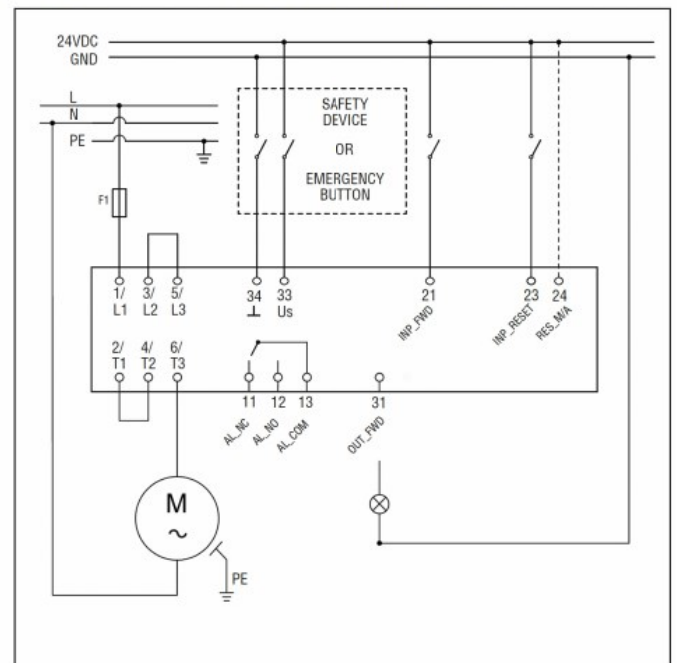
Wiring diagram for single-phase motors



Wiring diagram for three-phase motors for safety applications



Wiring diagram for single-phase motors for safety applications



**Certifications and compliance**

**Compliance**

CSA C22.2 n° 60947-4-2  
IEC/EN/BS 60947-4-2  
UL 60947-4-2

**Certificates**

cULus