

# Thermal Inlet Duct for the Cisco<sup>^</sup> Nexus 7004 Switch for Net-Access<sup>™</sup> N-Type Cabinets

## specifications

The thermal inlet duct shall be designed to be compatible with the Cisco<sup>^</sup> Nexus 7004 switch using Computational Fluid Dynamics (CFD) modeling and verified via operational testing. The inlet duct shall consist of one (2 RU) inlet duct and a side duct to feed cool air from the cold aisle to the switch's side inlet and prevent hot exhaust recirculation. The modular duct shall be capable of being installed in a retro-fit application without disrupting existing in-cabinet equipment and cabling.



## technical information

**Dimensions:** 14.78"H x 20.87"W x 24.25"D (375mm x 530mm x 616mm)

## key features and benefits

<b>Passive airflow</b>	No additional moving parts or power required for a more reliable, efficient, economical and environmentally friendly system
<b>Performance</b>	Designed and validated thermal performance by Panduit
<b>Physical separation between inlet and exhaust airflow</b>	Segregates inlet and exhaust airflow preventing hot air recirculation, reducing inlet temperatures up to 17°C (30°F) in containment applications
<b>Inlet duct design</b>	Ensures the cabinet is containment ready for vertical exhaust ducting (VED) and aisle containment
<b>Maximized space utilization</b>	Allows the switch to be deployed in 800mm and 700mm wide Panduit cabinets without sacrificing thermal performance
<b>Energy efficiency</b>	Provides cool air to the switch resulting in lower fan speed, reducing fan power consumption
<b>Day one or two installation</b>	Eliminates the requirement to replace or disturb existing cabinets, equipment and infrastructure decreasing capital expenditures and minimizing risks
<b>Easy access</b>	Allows access to the power supplies and fan modules minimizing network downtime
<b>Integral bonding to cabinet</b>	Cabinets and accessories are single-point bonded, providing a safe and reliable network, while reducing installation costs

## applications

Cisco<sup>^</sup> Nexus 7000 series switches are a modular switching system designed to deliver 10 Gigabit Ethernet and beyond. Panduit has developed a comprehensive physical infrastructure solution for the Nexus 7004 switch platform.

When the Cisco<sup>^</sup> Nexus 7004 switch is used as an access layer switch, it could be deployed using a Panduit Pod strategy that employs an End of Row (EoR) or Middle of

Row (MoR) physical topology in the Equipment Distribution Area (EDA) of the data center. If deployed as an aggregation or core switch, it could be located in the Main Distribution Area (MDA) of the data center.

By providing a path for cool air to the switch, data center temperature set points can be raised, resulting in higher energy efficiencies and lower operating costs.

<sup>^</sup>Cisco is a registered trademark of Cisco Technology, Inc.

### Inlet Duct for End of Row (EoR) Switching Applications

**Inlet duct:** DIRBB2007S21W

### Net-Access<sup>™</sup> N-Type Cabinets for Use in Hot Aisle/Cold Aisle Applications\*

800mm W x 42 RU x 1070mm D:	N821* <sup>^</sup>
800mm W x 42 RU x 1200mm D:	N822* <sup>^</sup>
800mm W x 45 RU x 1070mm D:	N851* <sup>^</sup>
800mm W x 45 RU x 1200mm D:	N852* <sup>^</sup>
800mm W x 48 RU x 1070mm D:	N881* <sup>^</sup>
800mm W x 48 RU x 1200mm D:	N882* <sup>^</sup>

### Net-Access<sup>™</sup> N-Type Cabinet Accessories

**Net-Access<sup>™</sup> N-Type Vertical Blanking Panels with pass-through holes for cabinets 42 RU through 48 RU:** NVBP

### Net-Access<sup>™</sup> N-Type Cabinets for Use with Vertical Exhaust Ducting

800mm x 45 RU x 1200mm 45 RU, front dual hinge door, rear solid split doors, cage nut rails, vertical blanking panels, cable management vertical exhaust duct ready:	N8529* <sup>^</sup> Y
45 RU, front dual hinge door, rear solid split doors, (1) side panel, cage nut rails, vertical blanking panels, cable management vertical exhaust duct ready:	N8521* <sup>^</sup> Y
45 RU, front dual hinge door, rear solid split doors, 12-24 tapped rails, vertical blanking panels, cable management vertical exhaust duct ready:	N8229* <sup>^</sup> N
45 RU, front dual hinge door, rear solid split doors, (1) side panel, 12-24 tapped rails, vertical blanking panels, cable management vertical exhaust duct ready:	N8221* <sup>^</sup> N

### Vertical Exhaust Ducting for 800mm W Net-Access<sup>™</sup> N-Type Cabinets

16" up to 26"H:	C2VED0811626* <sup>^</sup> A
26" up to 38"H:	C2VED0812638* <sup>^</sup> A
38" up to 66"H:	C2VED0813866* <sup>^</sup> A

### Net-Access<sup>™</sup> N-Type Cabinets for Use in Cold Aisle Containment Applications

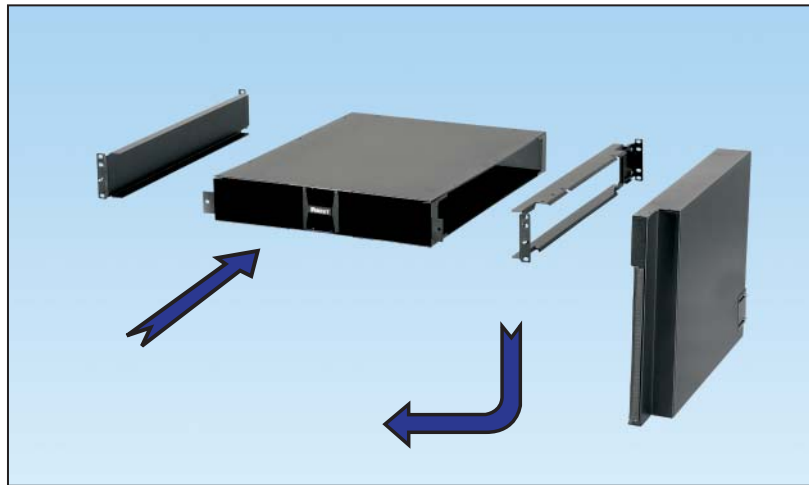
800mm W x 42 RU x 1070mm D:	N821* <sup>^</sup> U
800mm W x 42 RU x 1200mm D:	N822* <sup>^</sup> M
800mm W x 45 RU x 1070mm D:	N851* <sup>^</sup> U
800mm W x 45 RU x 1200mm D:	N852* <sup>^</sup> U

### Net-Contain<sup>™</sup> Sliding Door Low Profile Cold Aisle Containment System

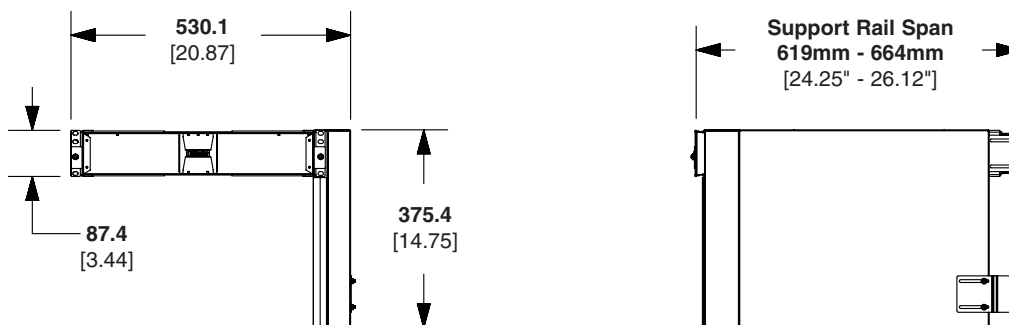
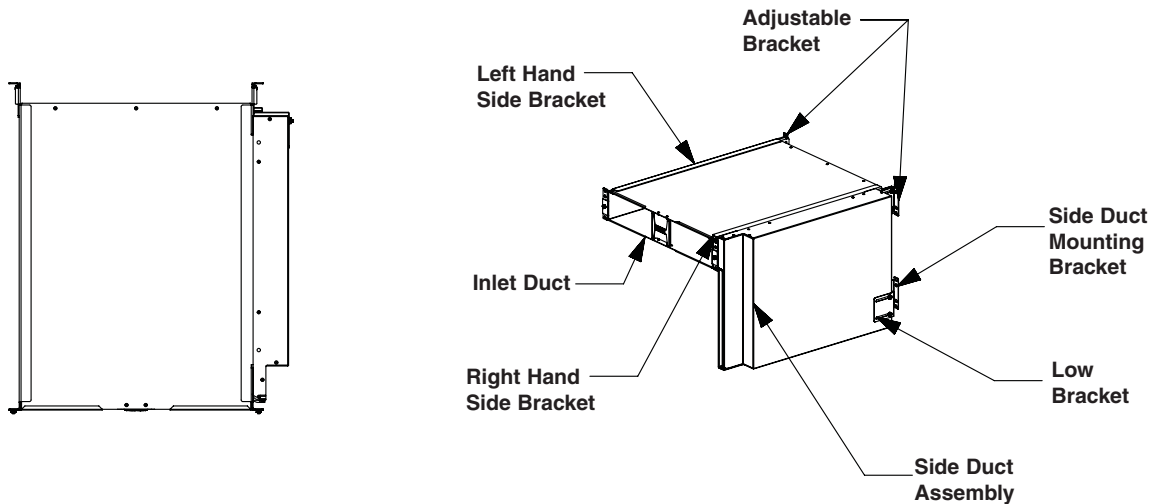
<b>Integral low profile ceiling structures Net-Access<sup>™</sup> 800mm Cabinets</b>	
4' (1200mm) aisle width:	C2CAC08F041R* <sup>^</sup> 1
6' (1800mm) aisle width:	C2CAC08F061R* <sup>^</sup> 1
<b>End of row dual sliding doors</b>	
6" (1800mm) aisle width:	C2CACT5F06SD* <sup>^</sup> 1
4" (1200mm) aisle width:	C2CACT5F04SD* <sup>^</sup> 1
<b>Wall panel (800mm):</b>	C2CAC08F08WP* <sup>^</sup> 1

\*Indicates Net-Access<sup>™</sup> N-Type Cabinet Standard Side Panel (screw on).  
 Replace \* with: 1 = 1 side panel, 2 = 2 side panels, or 9 = no side panels.  
<sup>^</sup>Indicates optional colors.  
 Replace <sup>^</sup> with: B = Black or W = White.

# Thermal Inlet Duct for the Cisco^ Nexus 7004 Switch for Net-Access™ N-Type Cabinets



**Inlet Duct Exploded View Showing Inlet Airflow Path**



Dimensions are in metric. [Dimensions in brackets are inches].

## WORLDWIDE SUBSIDIARIES AND SALES OFFICES

PANDUIT CANADA  
Markham, Ontario  
cs-cdn@panduit.com  
Phone: 800.777.3300

PANDUIT EUROPE LTD.  
London, UK  
cs-emea@panduit.com  
Phone: 44.20.8601.7200

PANDUIT SINGAPORE PTE. LTD.  
Republic of Singapore  
cs-ap@panduit.com  
Phone: 65.6305.7575

PANDUIT JAPAN  
Tokyo, Japan  
cs-japan@panduit.com  
Phone: 81.3.6863.6000

PANDUIT LATIN AMERICA  
Guadalajara, Mexico  
cs-la@panduit.com  
Phone: 52.33.3777.6000

PANDUIT AUSTRALIA PTY. LTD.  
Victoria, Australia  
cs-aus@panduit.com  
Phone: 61.3.9794.9020

For a copy of Panduit product warranties, log on to [www.panduit.com/warranty](http://www.panduit.com/warranty)

For more information

Visit us at [www.panduit.com](http://www.panduit.com)

Contact Customer Service by email: [cs@panduit.com](mailto:cs@panduit.com)  
or by phone: 800.777.3300

©2013 Panduit Corp.  
ALL RIGHTS RESERVED.  
RKSP127--WW-ENG  
4/2013