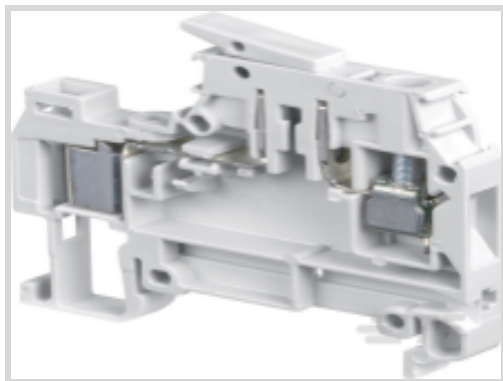


1SNA199108R0500 ✓ ACTIVE

TE Internal #: 1SNA199108R0500

TE Internal Description: D4/6.SN.ADO

[View on TE.com >](#)



Product Compliance

[For compliance documentation, visit the product page on TE.com>](#)

EU RoHS Directive 2011/65/EU	Compliant
EU ELV Directive 2000/53/EC	Compliant
China RoHS 2 Directive MIIT Order No 32, 2016	No Restricted Materials Above Threshold
EU REACH Regulation (EC) No. 1907/2006	Current ECHA Candidate List: JUNE 2022 (224) Candidate List Declared Against: JUNE 2022 (224) Does not contain REACH SVHC
Halogen Content	Low Halogen - Br, Cl, F, I < 900 ppm per homogenous material. Also BFR/CFR/PVC Free
Solder Process Capability	Not reviewed for solder process capability

Product Compliance Disclaimer

This information is provided based on reasonable inquiry of our suppliers and represents our current actual knowledge based on the information they provided. This information is subject to change. The part numbers that TE has identified as EU RoHS compliant have a maximum concentration of 0.1% by weight in homogenous materials for lead, hexavalent chromium, mercury, PBB, PBDE, DBP, BBP, DEHP, DIBP, and 0.01% for cadmium, or qualify for an exemption to these limits as defined in the Annexes of Directive 2011/65/EU (RoHS2). Finished electrical and electronic equipment products will be CE marked as required by Directive 2011/65/EU. Components may not be CE marked. Additionally, the part numbers that TE has identified as EU ELV compliant have a maximum concentration of 0.1% by weight in homogenous materials for lead, hexavalent chromium, and mercury, and 0.01% for cadmium, or qualify for an exemption to these limits as defined in the Annexes of Directive 2000/53/EC (ELV). Regarding the REACH Regulation, the information TE provides on SVHC in articles for this part number is based on the latest European Chemicals Agency (ECHA) 'Guidance on requirements for substances in articles' posted at this URL: <https://echa.europa.eu/guidance-documents/guidance-on-reach>

Compatible Parts

 TE Part # 1SNA103775R0000 RC65-BL	 TE Part # 1SNA103776R0100 RC65-RD	 TE Part # 1SNA163311R2200 PC61-10	 TE Part # 1SNA206230R1100 RC610-GN
 TE Part # 1SNA206231R0600 RC610-YL	 TE Part # 1SNA206232R0700 RC610-OR	 TE Part # 1SNA206233R0000 RC610-BL	 TE Part # 1SNA206235R0200 RC610-RD
 TE Part # 1SNA232000R0000 RC65	 TE Part # 1SNA233000R0100 RC610	 TE Part # 1SNA007865R2600 FC2	 TE Part # 1SNA114205R2000 AD2.5
 TE Part # 1SNA178944R0400 OUPAD	 TE Part # 1SNA179466R0600 OUMAD	 TE Part # 1SNA205284R0300 OUTA	 TE Part # 1SNA399903R0200 BADL
 TE Part # 1SNA199352R0000 FEDAD4	 TE Part # 1SNA205721R0000 EXAD2	 TE Part # 1SNA205974R0600 BJADO6-2	 TE Part # 1SNA205975R0700 BJADO6-3

Documents

[Datasheets & Catalog Pages](#)

[D4/6.SN.ADO](#)



English

[ENTRELEC Terminal Block - Master Catalog](#)

English

[ENTRELEC Terminal Blocks Catalogue \(RUS\)](#)