

Product designation				Enclosed rotary cam switch
Product type designation				7GN25
General characteristics				
Switching diagram				12 - Star-delta motor starter switch
N° of elements				4
Mounting form				P25 - Plastic enclosure with red/yellow handle
Contact characteristics				
Rated insulation voltage U_i	IEC/EN	V	690	
	UL/CSA	V	600	
Rated impulse withstand voltage U_{imp}			kV	6
Conventional free air thermal current I_{th}	IEC/EN	A	25	
	UL/CSA	A	30	
Rated operational voltage			V	480
Rated operational impulse voltage			kV	4
Maximum fuse size for short-circuit protection I_n (gG)	10kA	A	25	
	15kA	A	25	
	25kA	A	25	
Rated short time current I_{cw}			1s	A
				400
Conductivity				10/5 mA/V
Operational current I_e IEC/EN	AC1/AC21A		A	25
	AC15			
	110V	A	16	
	220/230V	A	12	
	380/400V	A	8	
	660/690V	A	2	
Rated operational power in AC	Three-phase AC-3			
	220/230V	kW	5.5	
	380/440V	kW	7.5	
	500/690V	kW	7.5	
	Single-phase AC-3			
	110V	kW	1.5	
	220/230V	kW	3	
	380/440V	kW	5.5	
	Three-phase AC23A			
	220/230V	kW	6.5	
	380/440V	kW	11	
	500/690V	kW	11	
Single-phase AC23A				
110V	kW	1.5		
220/230V	kW	3.7		
380/440V	kW	5.5		

Rated operational current in DC			
DC21A			
	48V	A	25
	60V	A	25
	110V	A	4
	220V	A	0.7
DC23A (poles in series)			
	24V	A	25 (1)
	48V	A	25 (2)
	60V	A	25 (3)
	110V	A	12 (3)
	220V	A	10 (4)
DC13			
	24V	A	25
	48V	A	20
	60V	A	16
	110V	A	1.5
	220V	A	0.4
Power dissipation		W	1.1
Mechanical features			
Terminals screw			M3.5
Tightening torque for terminals max		Nm	0.8
Conductor size			
AWG - Rigid cable			
	min	AWG	20
	Max	AWG	10
AWG - Flexible cable			
	min	AWG	20
	Max	AWG	12
Conductor size (IEC) - Flexible cable			
	min	mm ²	0.5
	Max	mm ²	4
Conductor size (IEC) - Rigid cable			
	min	mm ²	0.5
	Max	mm ²	4
Mechanical life		cycles	5x10 ⁶
UL technical data			
Motor power for direct-on-line control			
for three-phase motor			
	120V	HP	3
	240V	HP	5
	480V	HP	10
	600V	HP	15
for single-phase motor			
	120V	HP	1.5
	240V	HP	3
Ambient conditions			
Temperature			
Operating temperature			
	min	°C	-25
	max	°C	+55
Storage temperature			
	min	°C	-40
	max	°C	+70

Resistance & Protection

Frontal IP degree IP65

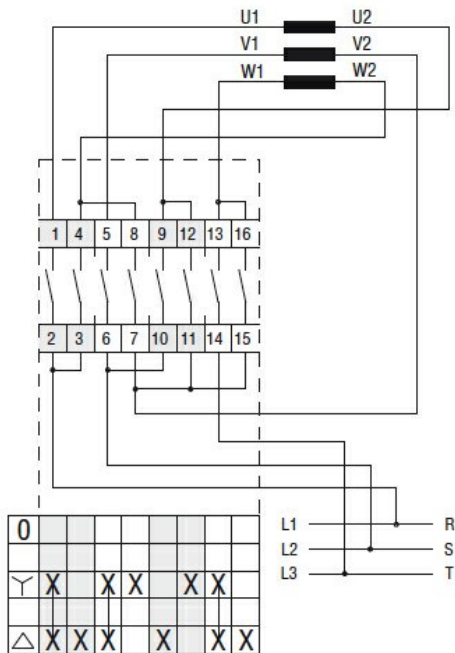
Terminals IP degree IP00

Dimensions



Series	Enclosure size	Number of elements		Dimensions										Cable entry	Protection degree
		L	L1	A	A1	C	C1	D	F	M	N	L	L1		
7GN12	75x75	1-2	3-4	75	75	50	64	4.5	19	14	28	57.5	79.8	4xPG13.5	IP65
7GN20		1-2	3-4												
7GN25		1	2-3												
7GN12	90x90	1-3	4-6	90	90	79	63	4.5	25	19	30	71.3	98.3	4xPG16	IP65
7GN20		1-3	4-6												
7GN25		1-2	3-4												
7GN32		1-2	3-4												
7GN40		1	2-3												
7GN12	110x110	1-4	5-8	110	110	98.4	83	4.5	32	21	39.5	85.5	119.5	4xPG21	IP65
7GN20		1-4	5-8												
7GN25		1-3	4-5												
7GN32		1-3	4-5												
7GN40		1-2	3-5												
7GN63		1-2	3-4												
7GN32	125x175	1-3	4-5	125	175	146	112	5.5	32	21	68	84.3	118.3	4xPG21 2xPG11	IP65
7GN40		1-2	3-4												
7GN63		1-2	3-4												
7GN125		1	2												
7GN32	180x254	1-5	6-8	180	254	120	190	5.5	32	35	76	121	175	4xPG29 2xPG11	IP65
7GN40		1-4	5-7												
7GN63		1-3	4-6												
7GN125		1-2	3-4												

Wiring diagrams



Certifications and compliance

Compliance

IEC/EN/BS 60947-1

IEC/EN/BS 60947-3

IEC/EN/BS 60947-5-1

Certificates

EAC

ETIM classification

ETIM 8.0

EC001029 -
Selector switch,
complete