

Part number

CK 03 IAPNS



Angled Bulkhead mounting housing, CK series, with 1 lever, Pg11 cable entry, size "21.21", black colour

| Product description | | Material properties | |
|---|---|-------------------------------------|--------------------------------------|
| Product type | Angled bulkhead mounting housing | Other materials | Lever: Polyamide (PA) Gasket: TPE |
| Series | CK | Colour | RAL 9005 black |
| Closing type | With 1 lever | RoHs conformity | Compliant |
| Size | Size "21.21" | China RoHs - EFUP | E |
| Cable entry | With cable entry Pg11 | REACH SVHC substances | No |
| Specification | Black colour | Approvals / Standards | |
| Technical data | | UL | ECBT2 |
| IP degree of protection | IP44 - IP66 / IP67 / IP69 with CKR 65 (D) | cUL | ECBT8 |
| Further technical details | | General ordering information | |
| Weight | 14,50 g | EAN13 code | 8015747026390 |
| Operating temperature range (min, max) | -40°C...+125°C | Packaging Information | |
| | | Packaging length | 360,00 mm |
| | | Packaging height | 165,00 mm |
| | | Packaging width | 315,00 mm |
| | | Packaging weight | 2,56 kg |
| | | Packaging volume | 18,71 dm ³ |
| | | Packaging description | Carton box |
| | | Packaging quantity | 100 Pcs |
| | | Packaging EAN code | 8015747026406 |
| | | Sub-packaging weight | 0,26 kg |
| | | Sub-packaging description | Carton box |
| | | Sub-packaging quantity | 10 Pcs |
| | | Sub-packaging EAN barcode | 8015747026413 |

Part number

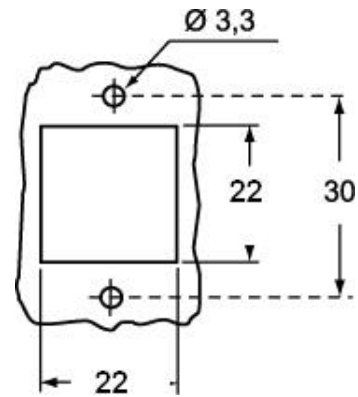
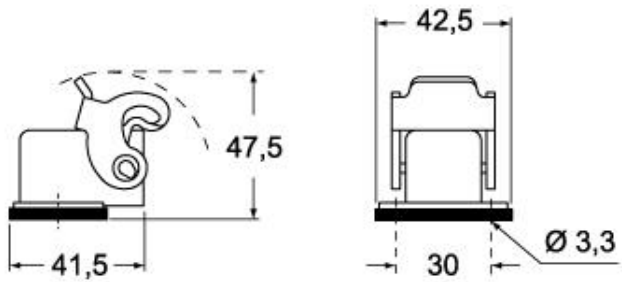
CK 03 IAPNS



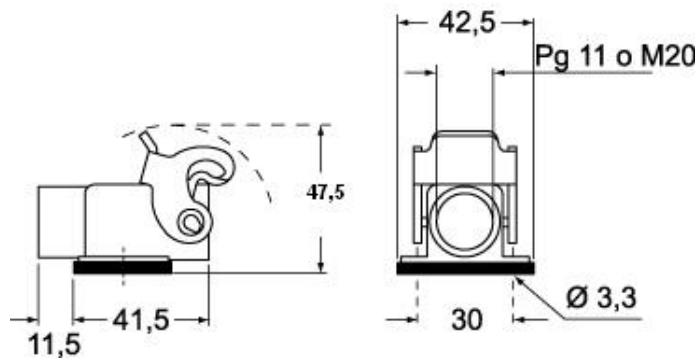
Catalogue drawings

Catalogue drawings

CK IA(N)



CK IAP(N)S - MK IAP (N)



Notes

Dimensions shown in mm are not binding and may be changed without notice.