



Signal tower  
Ø70mm/2.75"  
LTN70

Product designation

Product type designation

**General characteristics**

Diameter	mm - inch	70 / 2.75
Supply voltage (DC)	V	12...24
IEC degree of protection		IP65
Power consumption	VA	1

**Mechanical features**

Terminals screw Spring terminals

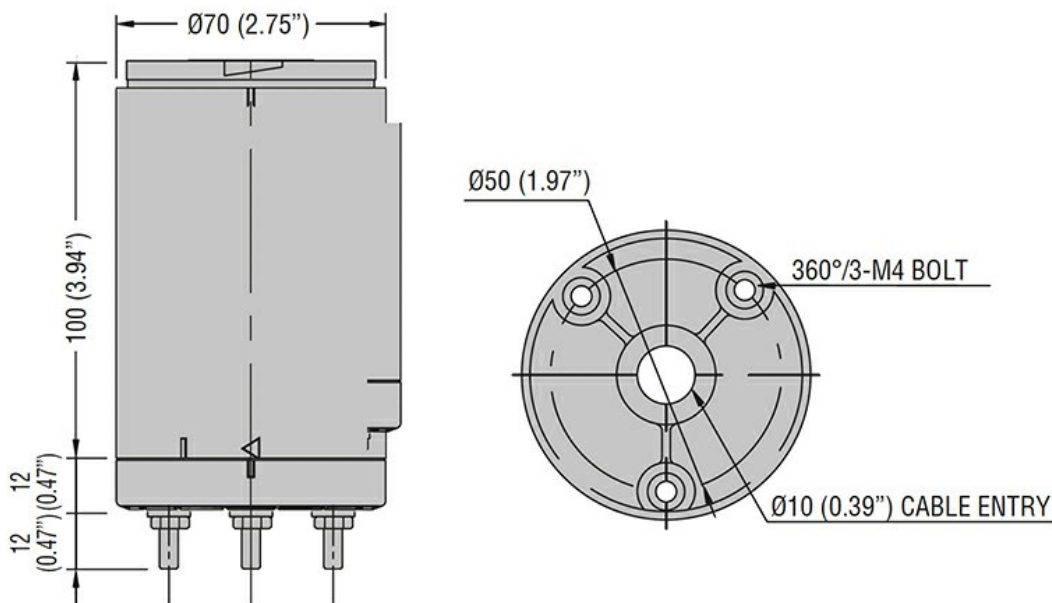
Conductor section	AWG/Kcmil	min	16
		max	24
	IEC	min	mm <sup>2</sup> 0.25
		max	mm <sup>2</sup> 1.5

Weight g 170

**Ambient conditions**

Temperature	Operating temperature	min	°C	-30
		max	°C	+50

**Dimensions**



**Certifications and compliance**

Compliance	CSA C22.2 n° 14
	IEC/EN/BS 60947-1

---

IEC/EN/BS 60947-5-1

---

UL508

---

Certificates

cULus

ETIM classification

ETIM 8.0

EC001154 -  
Stand for signal  
tower without  
tube