

# RFA699-002S01

RFID antennas

RFID

**SICK**  
Sensor Intelligence.

## Ordering information

Type	Part no.
RFA699-002S01	1101447

Other models and accessories → [www.sick.com/RFID\\_antennas](http://www.sick.com/RFID_antennas)

## Detailed technical data

## Features

<b>Version</b>	Short Range
<b>Frequency band</b>	UHF (860 MHz ... 960 MHz)
<b>Carrier frequency</b>	860 MHz ... 960 MHz
<b>Output power</b>	Max. 2 W (ERP) Max. 4 W (EIRP)
<b>Gain</b>	Typ. -2 dBic
<b>Antenna</b>	
Polarization	Circular polarised / LHCP

## Mechanics/electronics

<b>Weight</b>	103 g
<b>Dimensions (L x W x H)</b>	136.4 mm x 111.4 mm x 9.8 mm (without connecting cable)

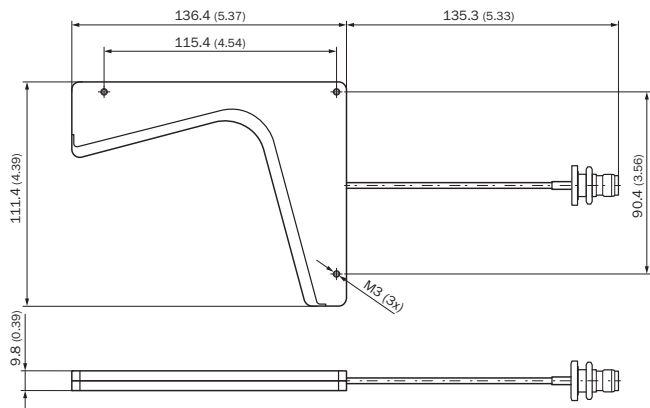
## Ambient data

<b>Ambient operating temperature</b>	-25 °C ... +60 °C
<b>Storage temperature</b>	-30 °C ... +70 °C
<b>Permissible relative humidity</b>	95 %, Non-condensing

## Classifications

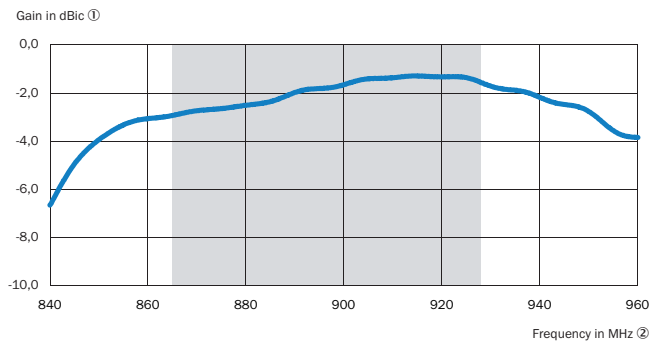
<b>ECLASS 5.0</b>	27280402
<b>ECLASS 5.1.4</b>	27280402
<b>ECLASS 6.0</b>	27280402
<b>ECLASS 6.2</b>	27280402
<b>ECLASS 7.0</b>	27280402
<b>ECLASS 8.0</b>	27280402
<b>ECLASS 8.1</b>	27280402
<b>ECLASS 9.0</b>	27280402
<b>ECLASS 10.0</b>	27280402
<b>ECLASS 11.0</b>	27280402
<b>ECLASS 12.0</b>	27280402
<b>ETIM 6.0</b>	EC002998
<b>ETIM 7.0</b>	EC002998
<b>ETIM 8.0</b>	EC002998
<b>UNSPSC 16.0901</b>	52161523

Dimensional drawing (Dimensions in mm (inch))



Radiation pattern

Antenna gain



- ① Gain in dBic
- ② Frequency in MHz

Recommended services

Additional services → [www.sick.com/RFID\\_antennas](http://www.sick.com/RFID_antennas)

	Type	Part no.
Commissioning		
<ul style="list-style-type: none"> <li>• <b>Product area:</b> RFID</li> <li>• <b>Range of services:</b> Inspection of connection, alignment, optimization of parameters of the RFU/RFH as well as tests, Setup of previously defined functions of reading configuration, data processing and network, interfaces and inputs and outputs</li> <li>• <b>Travel expenses:</b> The prices do not include travel costs such as hotel, flight, travel time and expenses.</li> <li>• <b>Duration:</b> Additional work will be invoiced separately</li> </ul>	Commissioning RFU/RFH	1610018

	Type	Part no.
Maintenance		
<ul style="list-style-type: none"><li>• <b>Product area:</b> RFID</li><li>• <b>Range of services:</b> Inspection, analysis and restoring of defined functions, Checking and adjustment of reading configuration, data processing, network, interfaces and inputs and outputs as well as operating data</li><li>• <b>Duration:</b> Additional work will be invoiced separately</li><li>• <b>Travel expenses:</b> The prices do not include travel costs such as hotel, flight, travel time and expenses.</li></ul>	Maintenance RFU/RFH	1611424

## SICK AT A GLANCE

SICK is one of the leading manufacturers of intelligent sensors and sensor solutions for industrial applications. A unique range of products and services creates the perfect basis for controlling processes securely and efficiently, protecting individuals from accidents and preventing damage to the environment.

We have extensive experience in a wide range of industries and understand their processes and requirements. With intelligent sensors, we can deliver exactly what our customers need. In application centers in Europe, Asia and North America, system solutions are tested and optimized in accordance with customer specifications. All this makes us a reliable supplier and development partner.

Comprehensive services complete our offering: SICK LifeTime Services provide support throughout the machine life cycle and ensure safety and productivity.

For us, that is “Sensor Intelligence.”

## WORLDWIDE PRESENCE:

Contacts and other locations –[www.sick.com](http://www.sick.com)