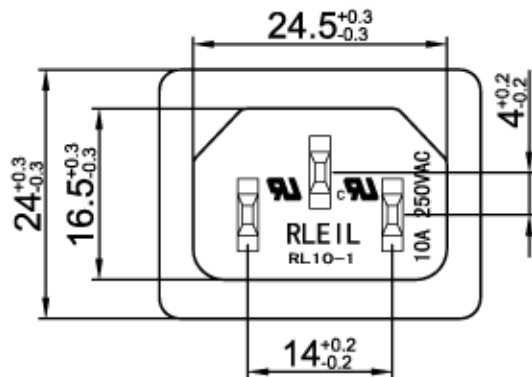
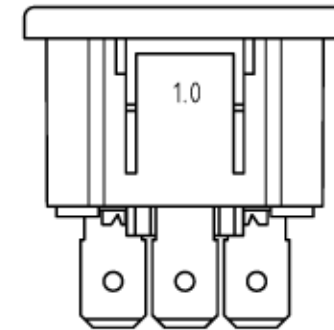
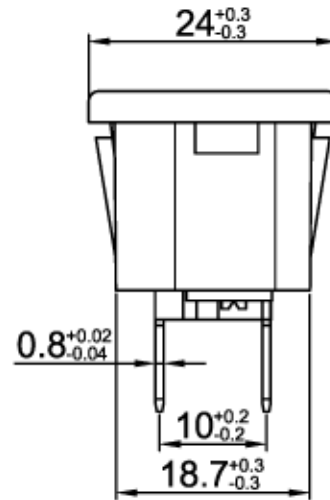
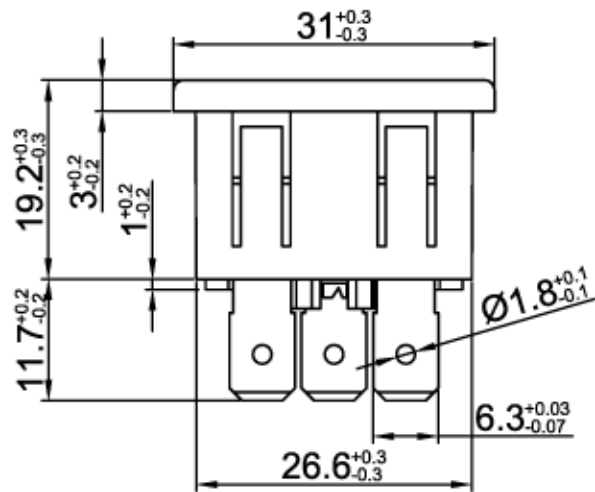
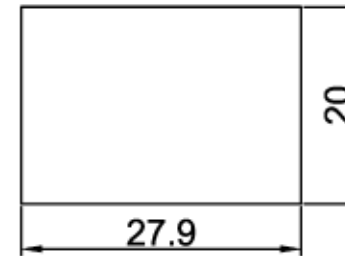


PANEL HOLE SIZE



SPECIFICATIONS

1. RATING: 10A 250VAC ENEC UL C-UL
2. INSULATION RESISTANCE: DC 500V 100M OHMS Min
3. DIELECTRIC STRENGTH: 2000VAC/1 Minute
4. HOUSING MATERIAL: Nylon 66 UL 94v-2 or 94v-0

RL-10-1-P1	
TITLE	SERIES
POWER SOCKET	FUNCTION
2013-11-22	RL-1142