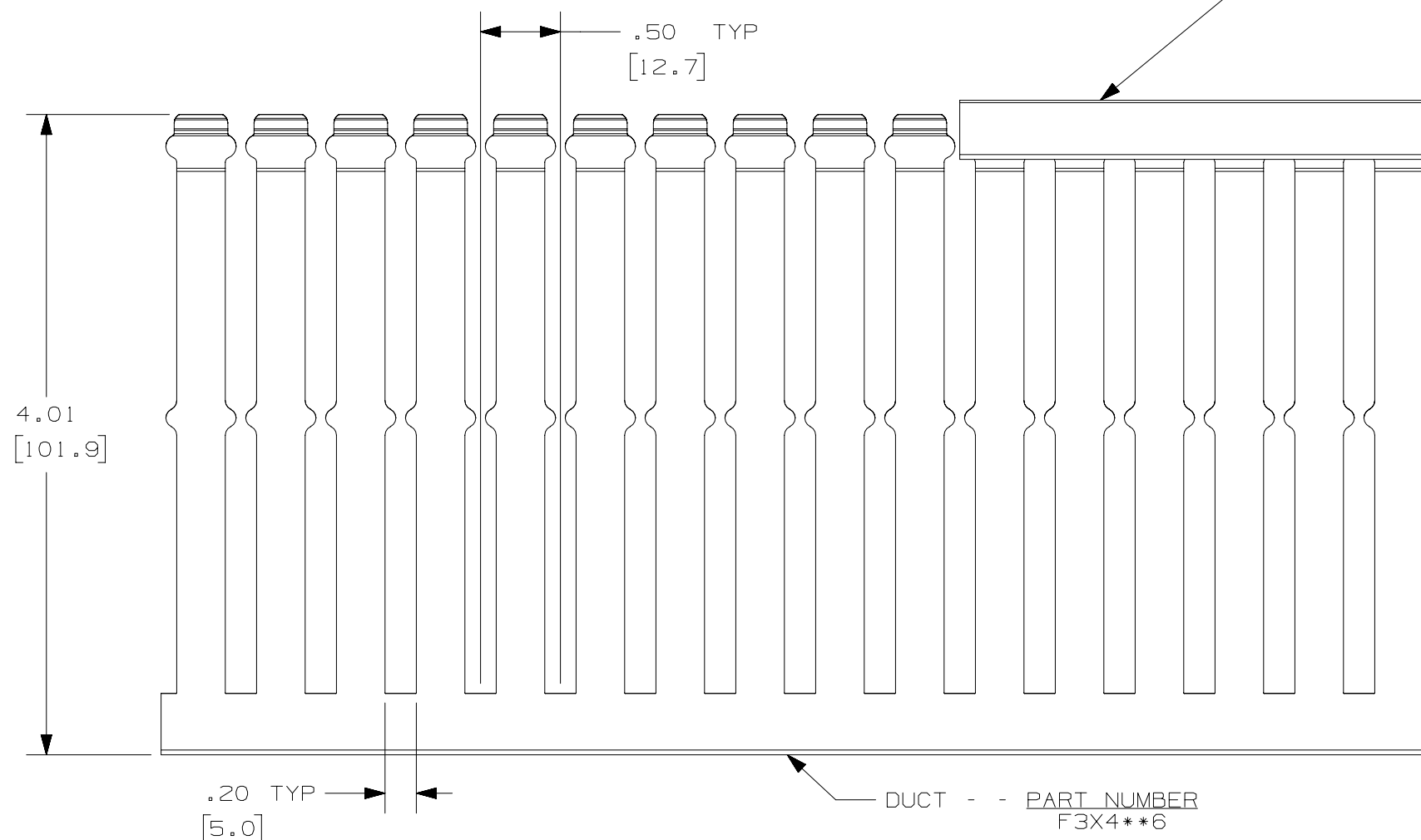
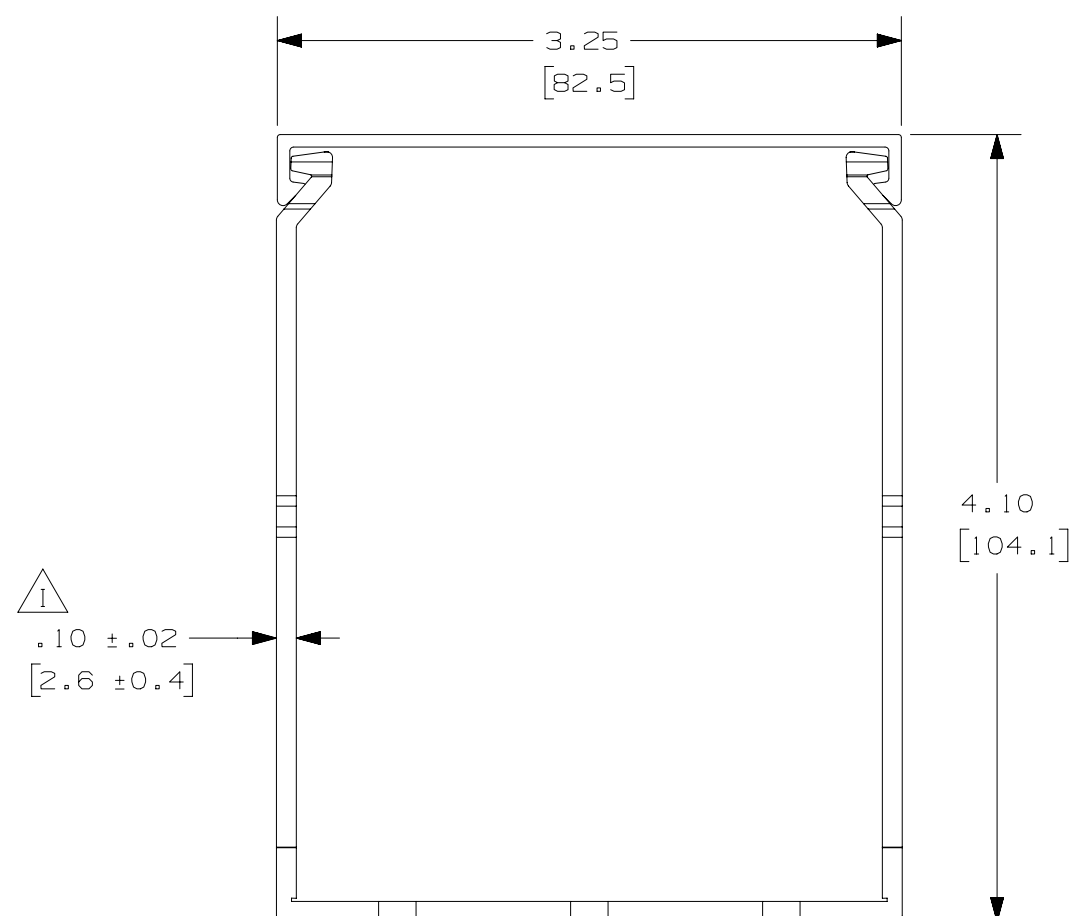


COVER - - PART NUMBER C3**6



DUCT - - PART NUMBER F3X4**6

NOTES:

1. ALL DIMENSIONS ARE REFERENCE ONLY.
2. DIMENSIONS IN PARENTHESIS ARE METRIC.
3. THE ** DENOTE COLOR.
4. DUCT AND COVER ARE AVAILABLE IN 6 FT (1828.8) LENGTH.

REV	DATE	BY	CHK	APR	DESCRIPTION	ECN
4	03.03.16	BDK	MRJS	RGRO	I. ADDED TOLERANCE	36897-779
3	02-19-13	JBN	RTFI	RTFI	H. UPDATED DRAWING BORDER & TITLE BLOCK	36897-779

TITLE		WIRING DUCT - TYPE F DUCT WITH COVER 3 X 4		
ITEM REVISION NAME		D11000CQ/00		
DATASET FILE NAME		D11000CQ_DC/00E		
UNLESS OTHERWISE SPECIFIED, DIMENSIONAL TOLERANCES ARE: IN (mm)		MATERIAL: PVC		
.X ±		.XXX ±		
.XX ±		ANGLES ±		
DRAWN BY		DATE		THIRD ANGLE PROJECTION
JCST	03-20-03	JGG	FULL	36897-779
DRAWING NUMBER:				36897-779
SHEET:				SHT 1 OF 1
SCALE:				C