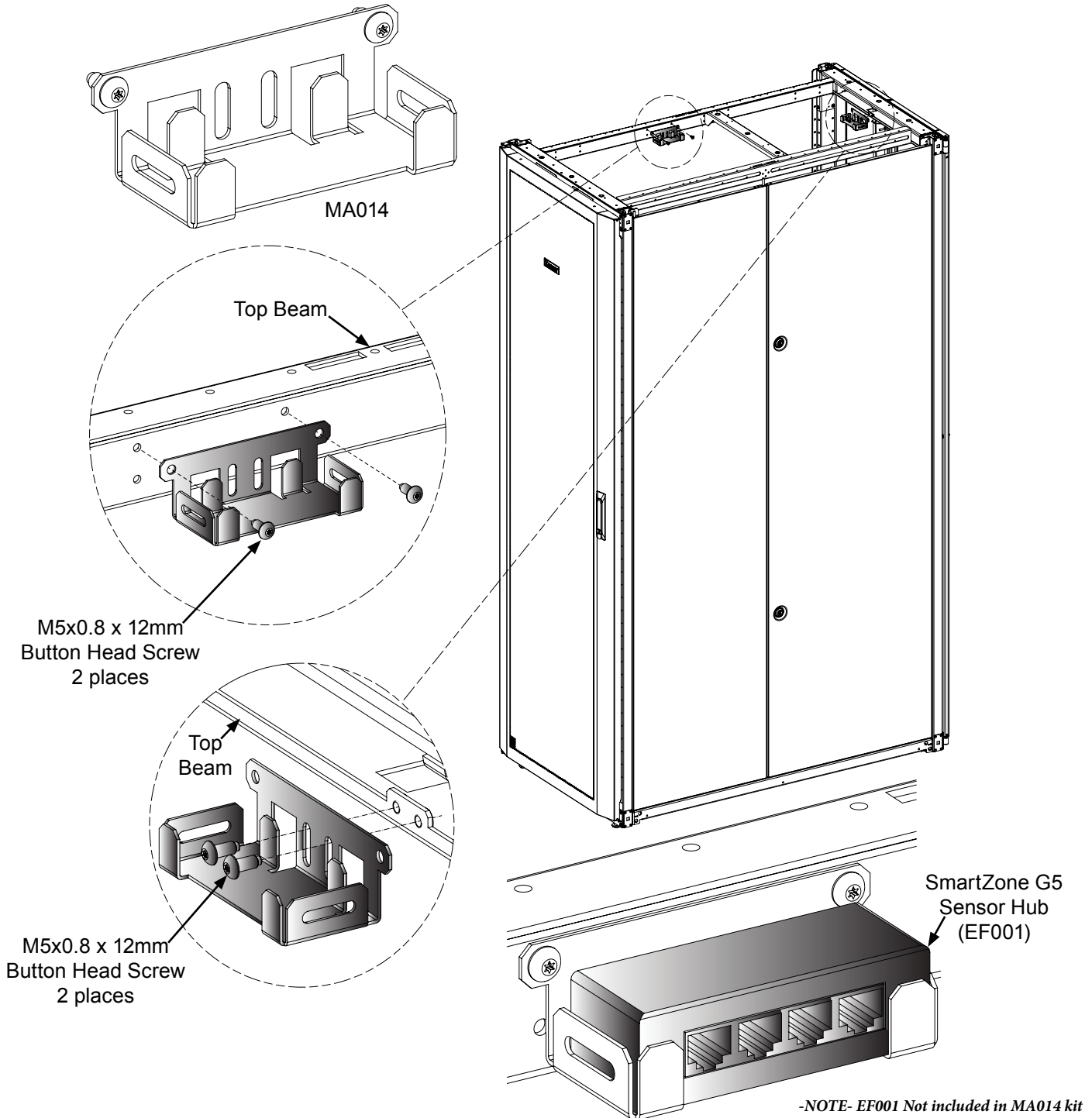


Installation of Sensor Hub Housing

- Install Housing to Top Beams using (2) M5x0.8 x 12mm Button Head Torx Screws.



-NOTE- The Sensor Hub Housing can be installed on either the left or right side, Front or back at various locations along the Top Beams of the N-Type, S-Type, and Net-Verse cabinets.

Tool List:

- T25 Torx driver



For Instructions in Local Languages
and Technical Support:

www.panduit.com/resources/install_maintain.asp

PANDUIT

www.panduit.com

E-mail:
techsupport@panduit.com

Phone:
866-405-6654