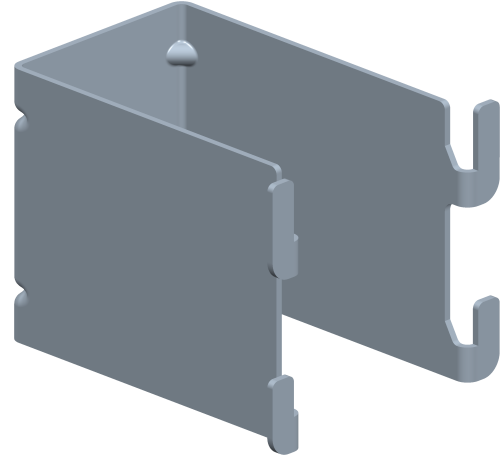
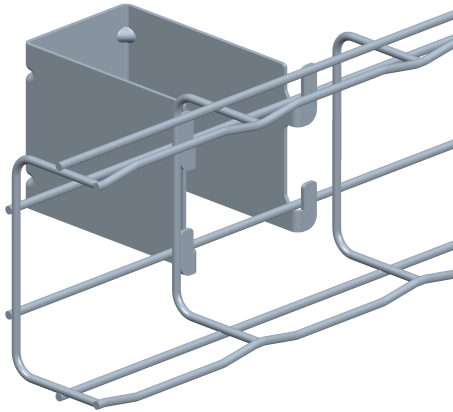


**CM100/50 CONSOLE MURALE**  
**CM100/50 WALL BRACKET**

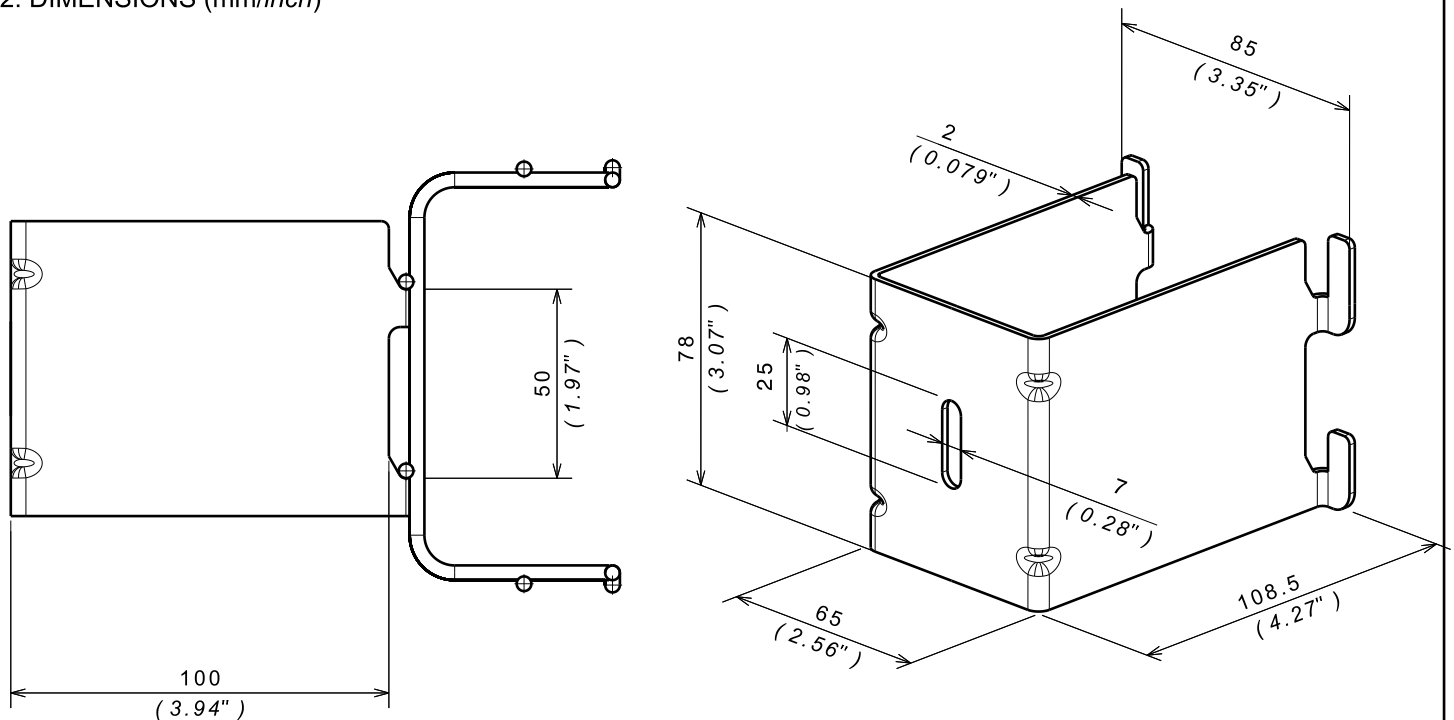
Reference(s) : 595 917



**1. GAMME / RANGE**

Designation	Code	Poids / Weight (Kg) (lb)		Epaisseur / Thickness (mm) (inch)		Matière / Material	Norme / Standard	Finition / Coating	Classe de résistance contre la corrosion/ Class for resistance against corrosion
CM100/50 ZnMg	595 917	0.333	0.734	2	0.079	DX51D ZM	EN 10 346	ZnMg	Class 8 / IEC 61537


**2. DIMENSIONS (mm/inch)**




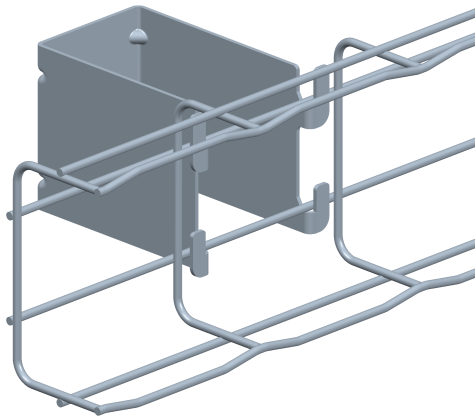
CM100/50 CONSOLE MURALE  
 CM100/50 WALL BRACKET


Reference(s) : 595 917

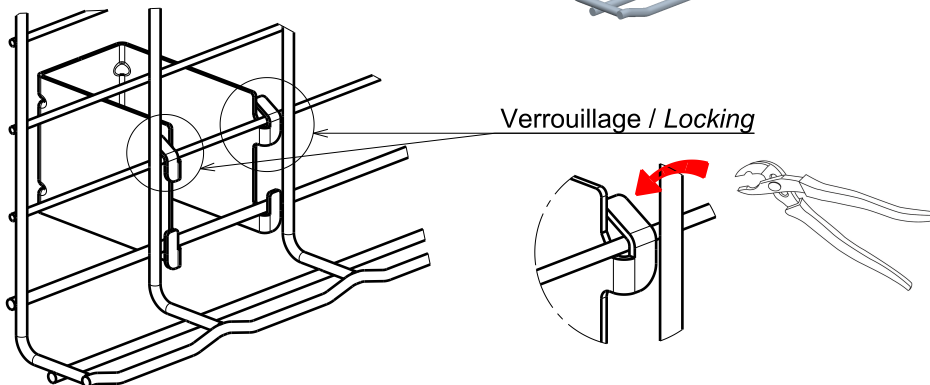
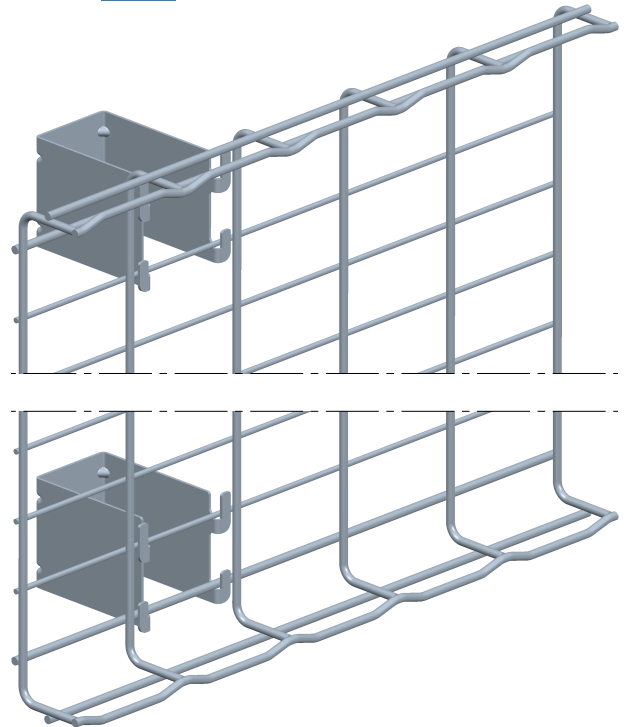
3. INSTALLATION / MOUNTING

 CF30 - CF54 - CF105

 100 → 200 X1



 300 → 600 X2



4. RECOMMANDATION / RECOMMENDATION

portée / span (m / inch)		nombre de support minimum / support number minimum						
		CF 54/50	CF 54/100	CF 54/200	CF 54/300	CF 54/400	CF 54/500	CF 54/600
1	39.4	1	1	1	2	2	2	2
1.5	59.1	1	1	1	2	2	2	2
2	78.7	1	1	1	2	2	3	3