

Part number

# CXM 6/12



Male insert, CX series, crimp connection, 6 + 12 poles + PE, 40 A 690 V 8 kV 3 / 10 A 230/400 V 4 kV 3, size "77.27"

## Product description

<b>Product type</b>	Insert
<b>Series</b>	CX
<b>Connection type</b>	Crimp connection
<b>Gender</b>	Male
<b>N. of poles</b>	6 poles +
<b>Auxiliary poles</b>	12D
<b>Size</b>	Size 77.27

## Technical data

<b>Current</b>	40 A
<b>Voltage</b>	690 V
<b>Rated impulse withstand voltage</b>	8 kV
<b>Pollution degree</b>	3
<b>Rated voltage according to UL/CSA</b>	600 V
<b>IP degree of protection</b>	IP20 without enclosure, IP65/IP66/IP68/IP69 with enclosure

## Further technical details

<b>Characteristics according to EN 61984</b>	40A 690V 8kV 3; 10A 230/400V 4kV 3
<b>Mating cycles</b>	≥ 500
<b>Insulation resistance</b>	≥ 10 GΩ
<b>Contact resistance</b>	≤ 0,3 mΩ (6 poles); ≤ 1 mΩ (12 poles)
<b>Weight</b>	64,33 g
<b>Operating temperature range (min, max)</b>	-40 °C ... +125 °C
<b>UL 94 flammability rating</b>	V-0

## Material properties

<b>Main material</b>	Polycarbonate (PC)
<b>Colour</b>	RAL 7032 grey
<b>RoHs conformity</b>	Compliant
<b>China RoHs - EFUP</b>	E
<b>REACH SVHC substances</b>	No

## Approvals / Standards

<b>Reference standard</b>	EN 61984:2009-06
<b>Certifications</b>	DNV, BV, EAC
<b>UL</b>	ECBT2
<b>cUL</b>	ECBT8

## General ordering information

<b>EAN13 code</b>	8015747225083
<b>eCl@ss 8.1</b>	27440205
<b>ETIM 7.0</b>	EC000438

## Packaging Information

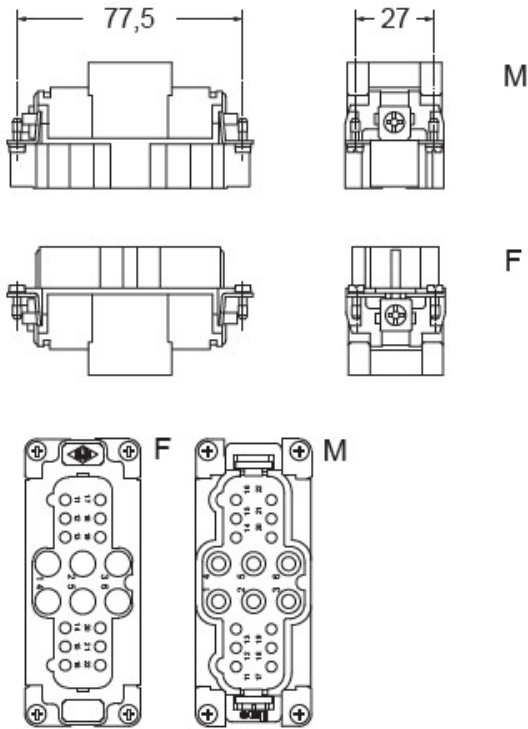
<b>Packaging length</b>	245,00 mm
<b>Packaging height</b>	165,00 mm
<b>Packaging width</b>	215,00 mm
<b>Packaging weight</b>	2,23 kg
<b>Packaging volume</b>	8,69 dm <sup>3</sup>
<b>Packaging description</b>	Carton box
<b>Packaging quantity</b>	30 Pcs
<b>Packaging EAN code</b>	8015747225113
<b>Sub-packaging length</b>	87,00 mm
<b>Sub-packaging height</b>	36,00 mm
<b>Sub-packaging width</b>	180,00 mm
<b>Sub-packaging weight</b>	0,37 kg
<b>Sub-packaging volume</b>	0,56 dm <sup>3</sup>
<b>Sub-packaging description</b>	Carton tray
<b>Sub-packaging quantity</b>	5 Pcs
<b>Sub-packaging EAN barcode</b>	8015747225120

Part number

# CXM 6/12

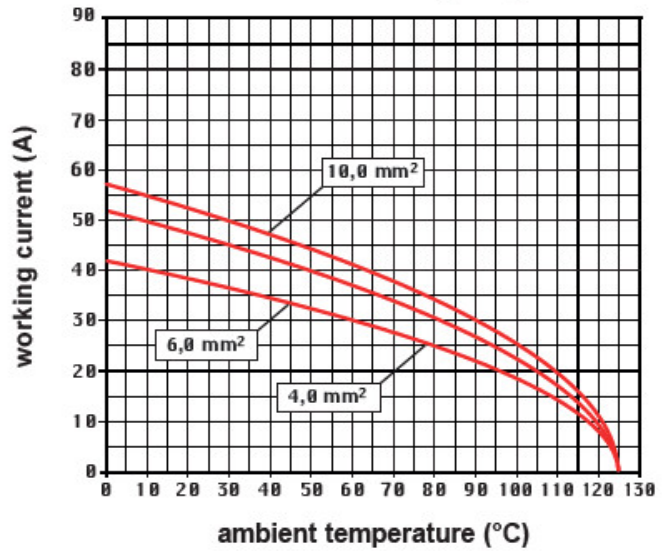


## Catalogue drawings



## Derating curves

CX 6/12 power poles connector inserts  
Maximum current load derating diagram



## Notes

### California Proposition 65 Information



### WARNING

This product can expose you to nickel compounds, known to the State of California to cause cancer and/or reproductive toxicity. For more information go to [www.P65Warnings.ca.gov](http://www.P65Warnings.ca.gov).

Dimensions shown in mm are not binding and may be changed without notice.