

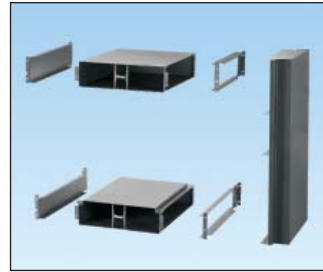
Thermal Inlet Duct for the Cisco[^] Nexus 7009 Switch for Net-Access™ N-Type Cabinets

PANDUIT[®]

SPECIFICATION SHEET

specifications

The thermal inlet duct shall be designed to be compatible with the Cisco[^] Nexus 7009 switch using Computational Fluid Dynamics (CFD) modeling and verified via operational testing. The inlet duct shall consist of two (3 RU) inlet ducts and a side duct to feed cool air from the cold aisle to the switch's side inlet and prevent hot exhaust recirculation. The modular duct shall be capable of being installed in a retro-fit application without disrupting existing in-cabinet equipment and cabling.



technical information

Dimensions: 35.07"L x 23.30"W x 4.70"D (891mm x 592mm x 119mm)

key features and benefits

Passive airflow	No additional moving parts or power required for a more reliable, efficient, economical and environmentally friendly system
Certified performance	Designed and validated thermal performance by Panduit
Physical separation between inlet and exhaust airflow	Segregates inlet and exhaust airflow preventing hot air recirculation, reducing inlet temperatures up to 17°C (30°F)
Inlet duct design	Ensures the cabinet is containment ready for vertical exhaust ducting (VED) and aisle containment
Maximized space utilization	Allows the switch to be deployed in a 800mm wide Panduit cabinet without sacrificing thermal performance
Energy efficiency	Provides cool air to the switch resulting in lower fan speed reducing fan power consumption by up to 250W and improving reliability
Day one or two installation	Eliminates the requirement to replace or disturb existing cabinets, equipment and infrastructure for lower capital expenditures and minimized risk
Easy access	Allows access to the power supplies and fan modules minimizing network downtime
Integral bonding to cabinet	Cabinets and accessories are single-point bonded, providing a safe and reliable network, while reducing installation costs

applications

Cisco[^] Nexus 7000 series switches are a modular switching system designed to deliver 10 Gigabit Ethernet and beyond. Panduit has developed a comprehensive physical infrastructure solution for the Nexus 7009 switch platform.

When the Cisco[^] Nexus 7009 switch is used as an access layer switch, it could be deployed using a Panduit Pod strategy that employs an End of Row (EoR) or Middle of

Row (MoR) physical topology in the Equipment Distribution Area (EDA) of the data center. If deployed as an aggregation or core switch, it could be located in the Main Distribution Area (MDA) of the data center.

By providing a path for cool air to the switch, data center temperature set points can be raised, resulting in higher energy efficiencies and lower operating costs.

Inlet Duct for End of Row (EoR) Switching Applications

Inlet duct: CNLTD142A3

Net-Access™ N-Type Cabinets for Use in Hot Aisle/Cold Aisle Applications*

800mm W x 42 RU x 1070mm D:	N821*^A
800mm W x 42 RU x 1200mm D:	N822*^A
800mm W x 45 RU x 1070mm D:	N851*^A
800mm W x 45 RU x 1200mm D:	N852*^A
800mm W x 48 RU x 1070mm D:	N881*^A
800mm W x 48 RU x 1200mm D:	N882*^A

Net-Access™ N-Type Cabinet Accessories

Net-Access™ N-Type Vertical Blanking Panels with pass-through holes for cabinets 42 RU through 48 RU: NVBP

Net-Access™ N-Type Cabinets for Use with Vertical Exhaust Ducting

800mm x 45 RU x 1200mm 45 RU, front dual hinge door, rear solid split doors, cage nut rails, vertical blanking panels, cable management vertical exhaust duct ready:	N8529*^Y
45 RU, front dual hinge door, rear solid split doors, (1) side panel, cage nut rails, vertical blanking panels, cable management vertical exhaust duct ready:	N8521*^Y
45 RU, front dual hinge door, rear solid split doors, 12-24 tapped rails, vertical blanking panels, cable management vertical exhaust duct ready:	N8229*^N
45 RU, front dual hinge door, rear solid split doors, (1) side panel, 12-24 tapped rails, vertical blanking panels, cable management vertical exhaust duct ready:	N8221*^N

Vertical Exhaust Ducting for 800mm W Net-Access™ N-Type Cabinets

16" up to 26"H:	C2VED0811626*^1
26" up to 38"H:	C2VED0812638*^1
38" up to 66"H:	C2VED0813866*^1

Net-Access™ N-Type Cabinets for Use in Cold Aisle Containment Applications

800mm W x 42 RU x 1070mm D:	N821*^U
800mm W x 42 RU x 1200mm D:	N822*^M
800mm W x 45 RU x 1070mm D:	N851*^U
800mm W x 45 RU x 1200mm D:	N852*^U

Net-Contain™ Sliding Door Low Profile Cold Aisle Containment System

Integral low profile ceiling structures Net-Access™ 800mm Cabinets

4' (1200mm) aisle width:	C2CAC08F041R*^1
6' (1800mm) aisle width:	C2CAC08F061R*^1

End of row dual sliding doors

6" (1800mm) aisle width:	C2CACT5F06SD*^1
4" (1200mm) aisle width:	C2CACT5F04SD*^1

Wall panel (800mm): C2CAC08F08WP*^1

*Indicates Net-Access™ N-Type Cabinet Standard Side Panel (screw on).
 Replace * with: 1 = 1 side panel, 2 = 2 side panels, or 9 = no side panels.
 ^Indicates optional colors.
 Replace ^ with: B = Black or W = White.

[^]Cisco is a registered trademark of Cisco Technology, Inc.

Thermal Inlet Duct for the Cisco^ Nexus 7009 Switch for Net-Access™ N-Type Cabinets



Figure 1. Full populated cabinet application

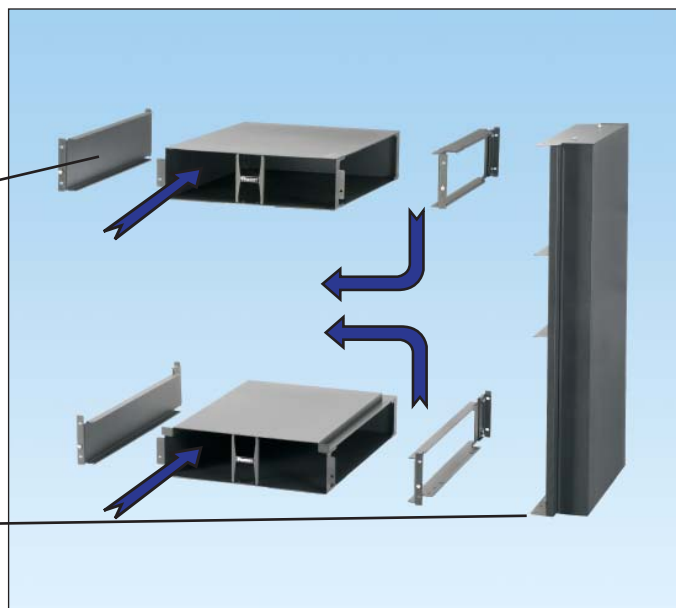
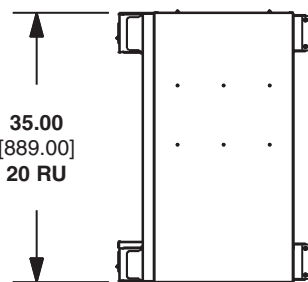
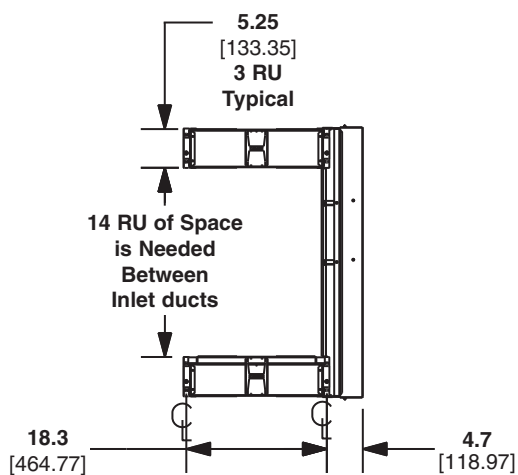
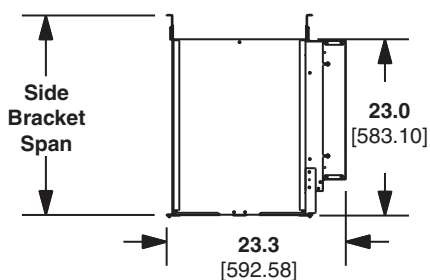


Figure 2. Inlet Duct Exploded View Showing Inlet Airflow Path



Dimensions are in inches. [Dimensions in brackets are metric].

WORLDWIDE SUBSIDIARIES AND SALES OFFICES

PANDUIT CANADA
Markham, Ontario
cs-cdn@panduit.com
Phone: 800.777.3300

PANDUIT EUROPE LTD.
London, UK
cs-emea@panduit.com
Phone: 44.20.8601.7200

PANDUIT SINGAPORE PTE. LTD.
Republic of Singapore
cs-ap@panduit.com
Phone: 65.6305.7575

PANDUIT JAPAN
Tokyo, Japan
cs-japan@panduit.com
Phone: 81.3.6863.6000

PANDUIT LATIN AMERICA
Guadalajara, Mexico
cs-la@panduit.com
Phone: 52.33.3777.6000

PANDUIT AUSTRALIA PTY. LTD.
Victoria, Australia
cs-aus@panduit.com
Phone: 61.3.9794.9020

For a copy of Panduit product warranties, log on to www.panduit.com/warranty

For more information

Visit us at www.panduit.com

Contact Customer Service by email: cs@panduit.com
or by phone: 800.777.3300 and reference RKSP101

©2012 Panduit Corp.
ALL RIGHTS RESERVED.
RKSP101--WW-ENG
10/2012