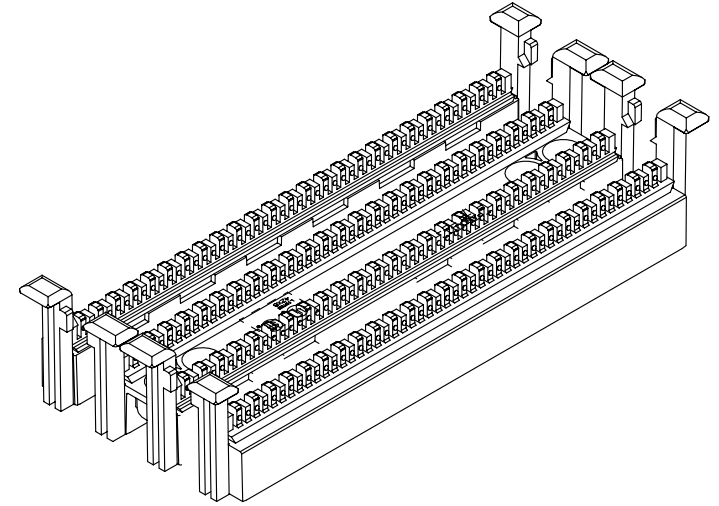
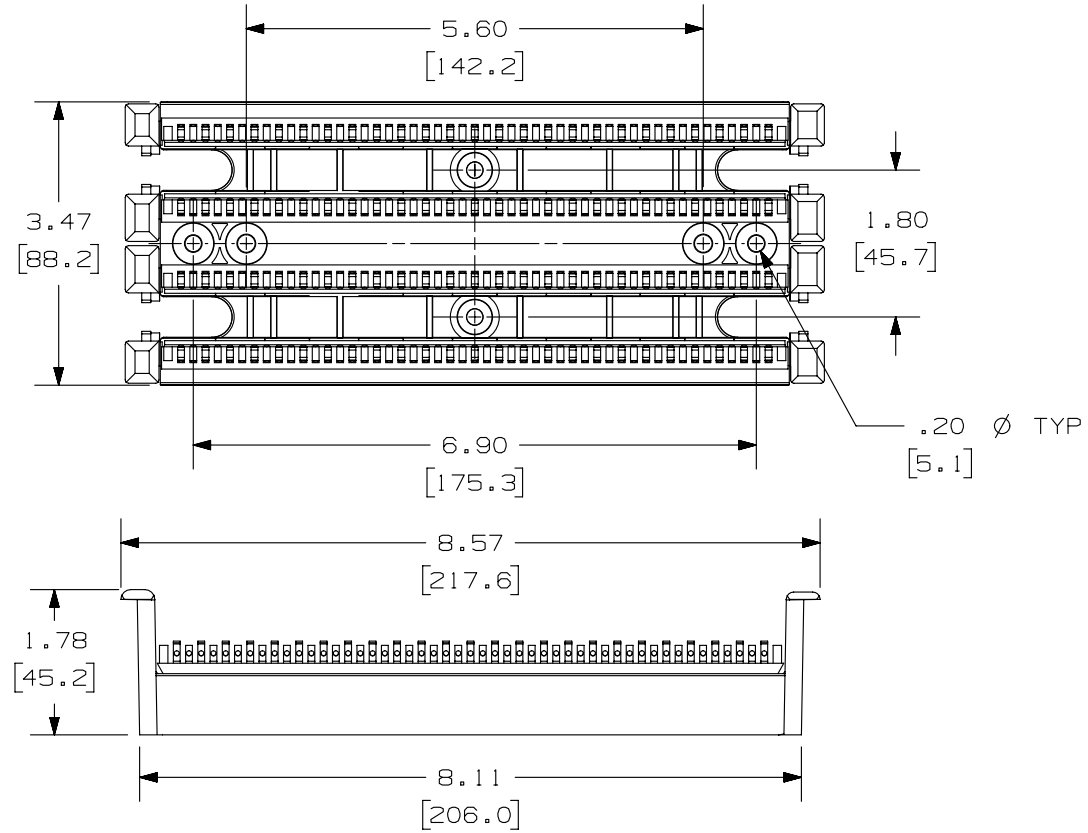


THIS COPY IS PROVIDED ON A RESTRICTED BASIS AND IS NOT TO BE USED IN ANY WAY DETRIMENTAL TO THE INTERESTS OF PANDUIT CORP.

PART NO.	COMPONENT QUANTITY PER FIELD TERMINATED KITS					WEIGHT LBS
	BASE	CONNECTING BLOCKS	LABEL HOLDERS	LABELS		
P110KBW01004Y	1	20	4	2	2	.9

- NOTES:
- IT IS COMMON PRACTICE TO COMPLETELY FILL EACH 25-PAIR WIRE STRIP WITH CONNECTING BLOCKS. EACH KIT CONTAINS THE ADEQUATE NUMBER OF CONNECTING BLOCKS TO DO SO. EXAMPLE: P110KB1004 INCLUDES FIVE 4-PAIR AND ONE 5-PAIR CONNECTING BLOCKS PER 25-PAIR WIRE STRIP FOR A TOTAL OF TWENTY 4-PAIR AND FOUR 5-PAIR CONNECTING BLOCKS, AS WELL AS TWO LABEL HOLDERS AND TWO WHITE DESIGNATION LABELS.
 - WIRE SEPARATOR MARKED ACCORDING TO 25-PAIR TIP COLOR SCHEME.
 - DIMENSIONS IN [] ARE IN METRIC UNITS.



PART NUMBER		P110KBW01004Y	
TITLE			
PAN-PUNCH 110 PUNCH DOWN SYSTEM 100 PAIR BASE		WITHOUT LEGS	
CUSTOMER DRAWING			
ITEM REVISION NAME		M01234AA/00	
DATASET FILE NAME		m01234aa_dc/00B	
UNLESS OTHERWISE SPECIFIED, DIMENSIONAL TOLERANCES ARE: IN [mm]		MATERIAL:	
.x ± .xxx ± .010 [.3]		PC	
.xx ± .03 [.8]		DRAWING NUMBER:	
ANGLES ±		01234-01	
THIRD ANGLE PROJECTION		SHT 1 OF 1	
DRAWN BY	DATE	CHK	SCALE
MDJR	7-13-01	KLR	NONE
REV	DATE	BY	CHK
2	5/27/14	JSP	REFR
APR	MMR	REVISED AND REDRAWN, PREVIOUS REVISIONS HAVE BEEN OMITTED.	
DESCRIPTION	ECN	01234-01	

D10100DA/14