



Contact elements with spring-clamp terminals  
LPXCS

Product designation

Product type designation

**Electrical characteristics**

Rated insulation voltage $U_i$ IEC/EN	V	690
IEC Conventional free air thermal current $I_{th}$	A	10
Conductivity		1mA 5V
UL/CSA and IEC/EN 60947-5-1 designation		A600 Q600

Operating current AC15

12V	A	6
24V	A	6
48V	A	6
120V	A	6
240V	A	3
400V	A	1.9
480V	A	1.5
500V	A	1.4
600V	A	1.2

Operating current DC13

12V	A	3
24V	A	3
48V	A	1.5
125V	A	0.55
250V	A	0.27
440V	A	0.15
500V	A	0.13
600V	A	0.1

Contact resistance	mΩ	≤20
--------------------	----	-----

**Operations**

Electrical life	cycles	1000000
-----------------	--------	---------

**Mechanical features**

Operating force	kg-lb	≤0.5kg/1.1lb
-----------------	-------	--------------

Terminals screw		Spring clamps
-----------------	--	---------------

Conductor section

AWG/kcmil conductor section

max	14
-----	----

IEC

max	mm <sup>2</sup>	1 or 2 / 2.5
-----	-----------------	--------------

Mounting adapter		LPXAU120
------------------	--	----------

Weight	g	10
--------	---	----

**Ambient conditions**

Temperature

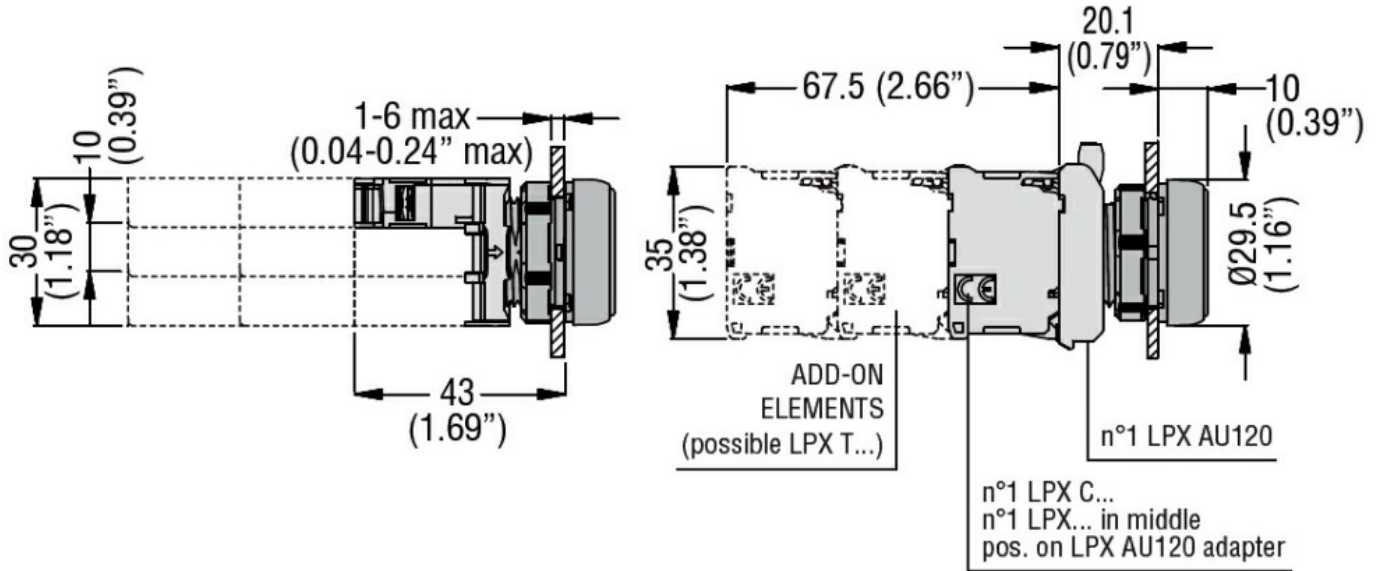
Operating temperature

min	°C	-25
max	°C	+70

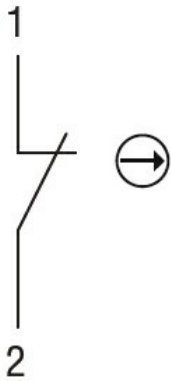
Storage temperature

min	°C	-40
max	°C	+85

**Dimensions**



**Wiring diagrams**



**Certifications and compliance**

Compliance

CSA C22.2 n° 14
IEC/EN/BS 60947-1
IEC/EN/BS 60947-5-1
UL508

Certificates

CCC
cULus
EAC
RINA
UL

**ETIM classification**

ETIM 8.0

EC000041 -  
Auxiliary contact  
block