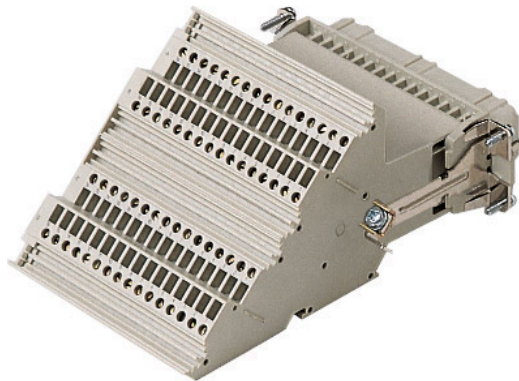



Part number

# CTF 64 L



Female insert, CT series, screw terminal connection, 64 poles + PE, 10 A 250 V 4 kV 3, size "104.27", with incorporated terminal block, left side mounting

#### Product description

<b>Product type</b>	Insert
<b>Series</b>	CT
<b>Connection type</b>	Screw terminal connection
<b>Gender</b>	Female
<b>N. of poles</b>	64 poles + 
<b>Size</b>	Size 104.27
<b>Specification</b>	Left side mounting With incorporated terminal block

#### Technical data

<b>Current</b>	10 A
<b>Voltage</b>	250 V
<b>Rated impulse withstand voltage</b>	4 kV
<b>Pollution degree</b>	3
<b>Rated voltage according to UL/CSA</b>	600 V
<b>Wire cross-section</b>	0,75 mm <sup>2</sup> - 2,50 mm <sup>2</sup>
<b>AWG size</b>	18 - 14
<b>Contact type</b>	Turned silver plated
<b>IP degree of protection</b>	IP20 without enclosure, IP66/IP69 with enclosure

#### Further technical details

<b>Characteristics according to EN 61984</b>	10A 250V 4kV 3; 10A 230/400V 4kV 2
<b>Mating cycles</b>	≥ 500
<b>Insulation resistance</b>	≥ 10 GΩ
<b>Contact resistance</b>	≤ 4 mΩ
<b>Weight</b>	558,00 g
<b>Operating temperature range (min, max)</b>	-40 °C ... +125 °C
<b>Conductors stripping length</b>	12 mm
<b>UL 94 flammability rating</b>	V-0
<b>Torque for main contact</b>	M2,6: 0,4 Nm; 3,5 lb.in (0,5 x 3 mm)
<b>Tightening torque for PE connection</b>	M4: 1,2 Nm, 10,6 lb.in (Ph2 or 1,0x5,5mm )
<b>Tightening torque for fixing screws</b>	M3: 0.5 Nm; 4.4 lb.in (Ph1 or 0.8x4 mm)

#### Material properties

<b>Main material</b>	Polycarbonate (PC)
<b>Other materials</b>	Contacts: copper alloy
<b>Colour</b>	RAL 7032 grey
<b>RoHs conformity</b>	Compliant with exemption 6(c): copper alloy containing up to 4% lead by weight
<b>China RoHs - EFUP</b>	50
<b>REACH SVHC substances</b>	Yes Lead
<b>SCIP number</b>	1a9c93ff-0445-4a16-81e3-1609ac5274d6

#### Approvals / Standards

<b>Reference standard</b>	EN 61984:2009-06
<b>Certifications</b>	CSA, CQC, DNV, BV, EAC
<b>UL</b>	ECBT2

#### General ordering information

<b>EAN13 code</b>	8015747041003
<b>eCl@ss 8.1</b>	27440205
<b>ETIM 7.0</b>	EC000438

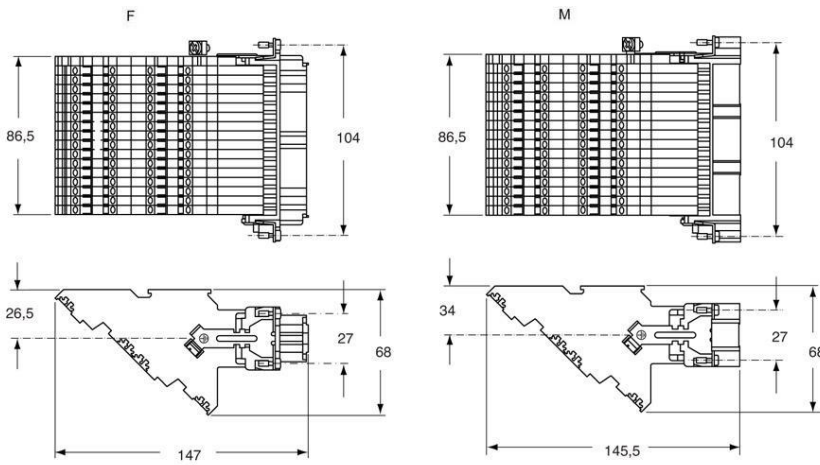
#### Packaging Information

<b>Sub-packaging length</b>	145,00 mm
<b>Sub-packaging height</b>	89,00 mm
<b>Sub-packaging width</b>	120,00 mm
<b>Sub-packaging weight</b>	0,56 kg
<b>Sub-packaging volume</b>	1,55 dm <sup>3</sup>
<b>Sub-packaging description</b>	Carton box
<b>Sub-packaging quantity</b>	1 Pcs
<b>Sub-packaging EAN barcode</b>	8015747041010

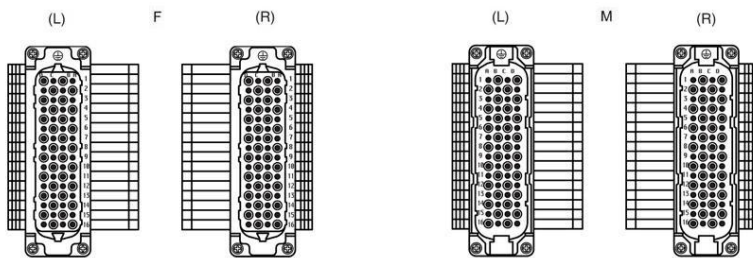
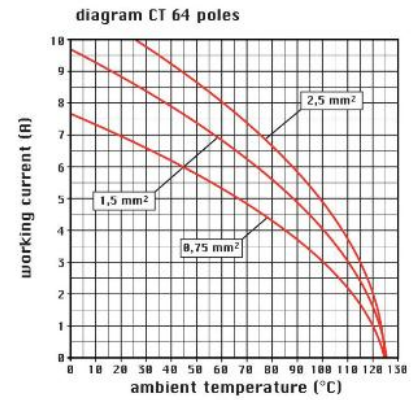
Part number  
**CTF 64 L**



Catalogue drawings



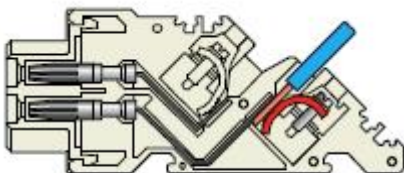
Catalogue drawings



Notes

Dimensions shown in mm are not binding and may be changed without notice.

CT ... : for non-prepared conductors



**California Proposition 65 Information**

**WARNING**

This product can expose you to lead and its compounds, known to the State of California to cause cancer and/or reproductive toxicity. For more information go to [www.P65Warnings.ca.gov](http://www.P65Warnings.ca.gov).

## California Proposition 65 Information



### **WARNING**

This product can expose you to lead and its compounds, known to the State of California to cause cancer and/or reproductive toxicity. For more information go to [www.P65Warnings.ca.gov](http://www.P65Warnings.ca.gov).

---