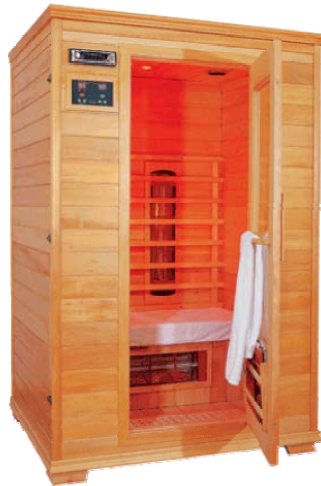

Instruction Manual for Infrared Saunas



Instruction Manual for Infrared Saunas

Index



	Page
Introduction, benefits, highlights.....	2
Installation requirements.....	2
Installation procedure.....	3-9
Operation.....	9
Operation Warnings.....	10
Trouble Shooting.....	10-11
Maintenance.....	12
Transportation.....	12
Packing List.....	12

Instruction Manual for Infrared Saunas

1. Introduction

We welcome you to the most affordable infrared sauna in the nation! We also congratulate you on your new path to better health! Thousands of users enjoy the benefits of infrared saunas every day. Infrared saunas help you burn calories, reduce toxins, relieve pain and even clear complexions. Now you can enjoy the great benefits of far-infrared heat within the privacy of your own home.

We strive to deliver superior home health products at an affordable price. Our list of clients grows daily and we believe that your success is our success. Our staff has over 15 years of combined professional experience and is ready to provide you with excellent customer service.

2. Health & Beauty Benefits

Relieve pain: The far-infrared rays of a sauna accelerate the blood circulation and supply more oxygen to the body. Increased blood circulation diminishes inflammation, relieves pain, and speeds up recovery. Infrared saunas have also been used to treat bursitis, rheumatism, arthritis, and hemorrhoids. Increased blood circulation not only alleviates internal ailments, but also skin conditions such as psoriasis, eczema and scars. Good circulation is essential for smooth and firm skin.

Burn calories & fat: The far-infrared rays of the sauna eliminate extra salt and subcutaneous fat. Burn up to 600 calories in one half hour session versus a half hour of jogging which burns 300 calories, and a half hour of cycling burns 225 calories.

Relax your body and mind: Use the built-in CD player to listen to your favorite music to relax and reduce stress. Infrared saunas also improve; often cure insomnia, and other stress related disorders.

Reduce toxins and improve complexions: Sweating in a lower temperature environment activates the sweat glands and expels toxins from the skin.

3. Highlights

- a. High quality craftsmanship
- b. Automatic thermostat for constant temperature
- c. Timer and buzzer: buzzer sounds 5 minutes before the end of session
- d. Digital sensor and thermometer
- e. Infrared heating pipes
- f. AM/FM Car Stereo w/ CD player and speakers (*room style model only*)

Installation

1. Installation requirements

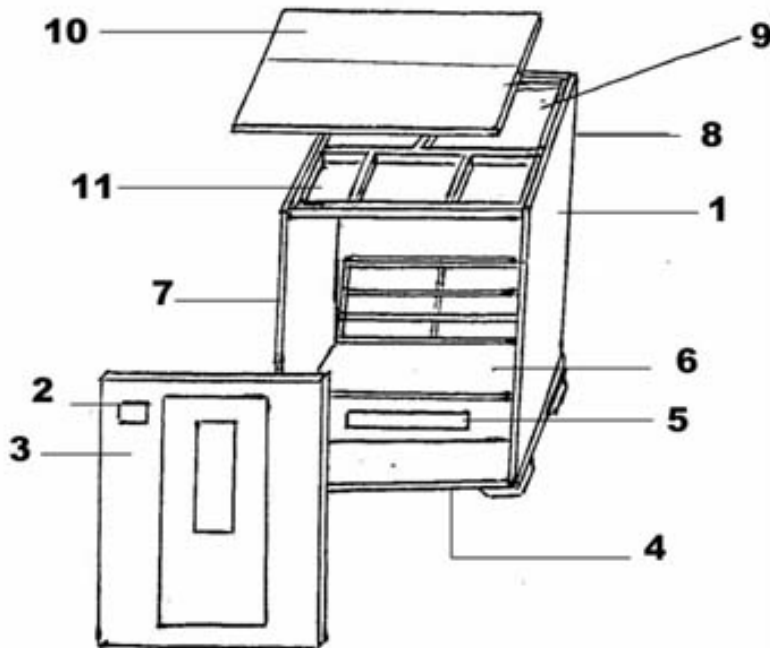
- a. Do not plug any other appliances into the outlet with your infrared sauna.
- b. Install the sauna on a completely level floor.
- c. Do not spray the exterior with water. If the floor is damp, install a floor separator to keep the sauna high & dry.
- d. Do not store flammable objects or chemical substances near the sauna.

Instruction Manual for Infrared Saunas

Installation procedure

Sauna Room:

1. Structure of Infrared Sauna. See FIG-1



- | | | |
|-------------------------------|-----------------------------------|------------------------------|
| 1. right side board | 2. digital panel | 3. front board |
| 4. bottom board | 5. sitting baffle | 6. sitting board |
| 7. left side board | 8. back board | 9. internal top board |
| 10. external top board | 11. electric control panel | |

2. One unit is packed into two cartons. See FIG-2



FIG-2 Two cartons

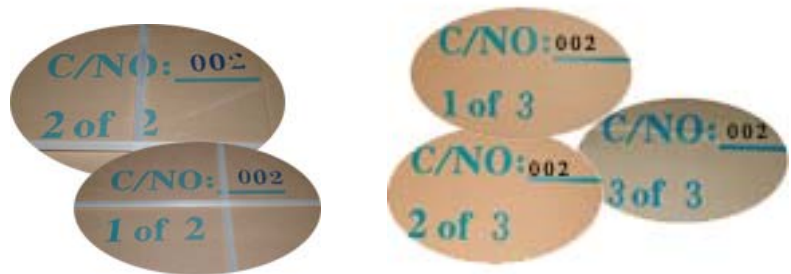


FIG-2.1 C/No.

Check the C/NO. on both cartons if they are the same. If not, please notify the store/website you purchased your Infrared Sauna. **3-persons sauna, corner sauna and 4-persons sauna are packed in 3cartons**, for example: C/NO: 002 1OF 3, C/NO: 002 2 OF 3 and C/NO: 002 3 OF 3 are for one unit; **1-person sauna and 2-persons sauna are packed in 2cartons**, for example: C/NO: 002 1OF 2 and C/NO: 002 2 OF 2 are for one unit. See **FIG-2.1**

Instruction Manual for Infrared Saunas

Make sure all parts are present before installing the unit. See packing list below.

- A. User manual B. Bottom board C. Back Board D. Left side board E. Right side board
F. Sitting baffle G. Sitting board H. Back rest I. Front board J. Internal top board
K. External top board L. CD Player M. CD player back cover N. Screwdriver O. Towel shelf

Instruction Manual for Infrared Saunas

4. Installation procedure.

Place the bottom board (section 4, Sauna room diagram, p.3) in the desired location of your sauna, and make sure which side is the front and which side is the back. **See FIG-3.**



FIG-3 Placing bottom floor



FIG-4 Assembling back board

5. Align the backboard (section 8) with bottom board's corresponding battens; make sure they are in line. **See FIG-4**
6. Align the left board (section 7) with bottom board's corresponding battens; make sure left board fits flush into backboard. **See FIG-5**



FIG-5 Assembling left board



FIG-6 Latching

7. The latch has a guide tab that must be placed in the guide slot for alignment. Pick up the back panel (hold it upright to the floor panel) and place the tab in the slot, do not latch at this time. When the back wall and the front wall/side wall are set together on the floor panel, close and **latch it**. **See Figure 6**

Instruction Manual for Infrared Saunas



FIG-7 Assembling right board



FIG-8 Assembling sitting board's support

8. Align the right board (section 1) with bottom board's corresponding battens; make sure right board fits flush into backboard and latch together. **See FIG-6 and FIG-7**
9. Locate **sitting baffle** with heating element (section 5) and slide it down vertically into the slot within the inside wall. Next, connect the bench's heater element wire to corresponding wire from the back wall, then locate sitting baffle (section 5) and slide into place. **See Figure 7,8,9** Note: Make sure the wires are connected tightly, otherwise the heater will not work.



FIG-9 Connecting wire



FIG-10 Assembling sitting board

11. Put the sitting board (section 6) horizontally on corresponding battens of the backboard. **See FIG-10**
12. Screw the backrest onto the backboard. (section 12) **See FIG-11**

Instruction Manual for Infrared Saunas



FIG-11 Assembling sitting board



FIG-12 Assembling front board

13. Align the front board (section 3) with bottom board's corresponding battens, and then latch it with the left and right boards respectively. Notes: Take caution of the glass door to avoid damage. See FIG-12.
14. Take out the car stereo with CD player (section 2), check its spare parts, put the stereo into the CD frame. See FIG-13.1. Then screw the attached stereo support to the stereo. **See FIG-13, 13.1, 13.2, 13.3** Note: CD player on selected model only.



FIG-13 Checking stereo w/CD spare parts



FIG-13.1 Fixing stereo w/ CD

Instruction Manual for Infrared Saunas



FIG-13.2 Fix the CD to the metal support



FIG-13.3 Lock the CD with its metal support

15. Put all of the wires outside to leave enough space for setting up the top board (section 9). **See FIG-14.** Open the door, raise the top board high enough to see if it fits with the surrounding boards, then put down.



FIG-14 Setting the top board

FIG-15 Leading the wires of heaters onto the board through the corresponding hole

16. During the course of putting down the internal top board, make sure all the wires (mentioned above) and connecting plugs are slipped through the corresponding holes of the top board. All these wires will be led into connecting with the controller on the internal top board. **See FIG-15**
17. All the infrared heaters are pre-assembled. **See FIG-16.** Connect all the wires and connectors to the corresponding outlets on the top board. Please be sure all the plugs are connected tightly.

Instruction Manual for Infrared Saunas



FIG-16 Connectors on the internal top board



FIG-17 Put down the wires into the sauna cabin

18. After that, put down the power plugs of the speakers, temperature sensor, control panel and CD player through the hole near the fan on the top board. **See FIG 17**

19. All the wirings from top board should be linked with corresponding connectors of the control panel, the CD player, the temperature sensor and the radio antenna. Otherwise, the sauna will not function if any connections are missed. **See FIG 18-21.**



FIG-18 Link the CD connectors



FIG-19 Link the sensor connectors



FIG-20 Link the control panel connectors



FIG-21 Link the antenna connectors

Instruction Manual for Infrared Saunas



FIG-22 CD player back cover and screws



FIG-22.1 Fix the CD player back cover with screws

20. Take down the bag of screws affixed to the CD player back cover; use a cross screwdriver to screw in the CD player back cover over the CD player. **See FIG-22, 22.1**
21. Making sure all steps are finished correctly, plug in the power and try using the sauna at first to make sure it will work properly. Then put the external top board (section 10) over the internal top board, and take out the power plug through the corresponding hole in the external top board. **See FIG-23**



FIG-23 Slip the power plug through external top board



FIG-24 Fix the external board with screws

22. Take the screws affixed on the external top board, then set up the board using the cross screwdriver. **See FIG-24**

Installation Completed.

Instruction Manual for Infrared Saunas

Operation

1. Precautions

- a. Check all the circuitry and the plug meet all requirements.
- b. Set the temperature and time to a comfortable level, normally, 30 minutes at 120°F.
- c. Drink a cup of water before the sauna session.
- d. After 2 hours of continuous use, shut the sauna down for one hour.
- e. To avoid burns, do not touch the heating element.

2. Operation

- a. Only plug the sauna into a 220volt-wall outlet. Do not share the outlet with any other appliances. Plug the unit into the outlet and use the ON/OFF switch to activate the sauna. Sauna should be **unplugged** when not in use.
- b. Press the 'temperature' button to increase or decrease the temperature. If the 'heat' light is on, the temperature setting will increase one degree every time the '+' button is pushed. If pressed for three seconds, the setting will increase quickly. Decrease the temperature in the same manner by pressing the '-' button. After the sauna reaches the desired temperature, the 'heat' light turns off.
- c. Press the 'light' button to turn the interior light on and off.
- d. If the sauna is too stuffy, open the vent in the ceiling or open the front door.
- e. After your sauna session, turn off, and unplug the power cable.
- f. To set the time press the 'function' button until the "time" button blinks. Press the '+' and '-' buttons to set the timer from 5 to 90 minutes. If pressed for three seconds, the timer will increase quickly. When the display reads '05', the timer will buzzes then the machine will shut off automatically after 5 minutes. To extend the sauna session, reset the timer again.
- g. **CD Player**
Please read the instruction of our car stereo with CD player

Instruction Manual for Infrared Saunas



Warnings

1. Safety precautions

- a. To avoid fire, do not dry clothes or leave any towels in the sauna.
- b. To prevent burns or electric shocks, do not touch or use metal tools on the net cover of the far infrared heater elements.
- c. While in the sauna, do not touch the light bulb. If the bulb needs to be changed, switch it off and wait until the sauna is shut off and the bulb is cool
- d. Do not spray water on the far-infrared tube. This activity may result in electric shock or damage to the heater elements.
- e. Do not use the infrared sauna if you have any of the following conditions:
 1. Open wounds
 2. Eye diseases
 3. Sever sunburns
 4. Elderly & weak people, especially those suffering from a disease, pregnant women and infants are prohibited. Children over the age of 6 years may use the sauna under the supervision of adults.
 5. If suffering from a disease directly related to temperature, seek the advice of a doctor before using.
 6. Do not place pets in the sauna.
 7. Do not use the sauna if you are under the effects of alcohol.
- f. **The appliance is not intended for use by young children or infirm persons without supervision;**
- g. **Young children should be supervised to ensure that they do not play with the appliance.**

Instruction Manual for Infrared Saunas

Trouble Shooting:

	Problem	Possible Causes	What To Do
1	Indicator light for power supply not working	The connector is not connected properly	Check the connector or replace a new one
		The fuse is burned out	Change the fuse
2	Indicator light for function is not working	The corresponding indicator light is broken	Replace the relevant control panel
		The circuit board or components are broken	Replace the circuit board
3	Infrared Heater not heating up	The heater is broken	Replace with a new one
		Its life will be shorted gradually for being used for many times	Of the same specifications
		The fuse is burned out: L-Hand fuse holder: For back panel R-Hand fuse holder: For front panel	Replace with a new one of the same specifications
		The wire junction is loose or the heater's wire is loose	Check it, and reconnect them tightly
		The circuit board relay is not functioning	Replace circuit board
4	Malfunctioning of temperature setting	Some problems with heater	See the 3rd section of heater problem
		Senor wire is not functioning	Re-connect or replace the senor wire
		The circuit board for temperature controlling is not function	Replace the control panel circuit board
5	Odor from the sauna	The circuit problems (fuse holder wire is loose, junction wire is loose, circuit board components is broken)	1) disconnect the power, check the power supply and voltage; 2) Find the objects with problems 3) Replace the damage parts
6	Light bulb is not working	Light bulb is burned out	Replace the light bulb
		Light bulb wiring is loose	Check connector or reconnect the light bulb wiring
		The light bulb connector is broken	Replace it
		Problems with electrical control panel	Repair or replace it

7	Speaker is not functioning	The speaker is broken	Replace with a new one of the same specifications
		The speaker wire is loose	Reconnect the speaker wire
		The power indicator light for CD is off	Turn on the switch to start work
		Defected audio CD	Try a different CD
8	CD-Player is not functioning	Power connector is loose or damage	Check connector or replace it
		DC power supply is no power to the CD-player	Check DC power supply wiring or replace the power supply
		CD-player is defective	Replace the CD-player
		CD-player protection fuses is burnt out	Replace the fuses
9	Sauna is not power up	Power cord is unplug	Plug back power cord to outlet
		Outlet has no power	Check outlet or circuit breaker
		Fuses (F201) on the circuit board is burned out	Replace the 1A 250V fuse on the circuit board



Instruction Manual for Infrared Saunas

Maintenance

Cleaning

Clean the faceplate with a wet towel, or clean with a small amount of hand-soap mixed with warm water if necessary. Clean the sauna room with a wet cotton towel, dry with a clean dry towel. **Do no use benzene, alcohol, or strong cleaning chemicals on sauna. NOTE: Any chemical that can damage wood material will damage the sauna and the protection layer that is on the wood.**

***** Do not leave the sauna or CD player on for more than 2 hours at a time. *****

Transportation and storage

1. Avoid exposure to rain, snow or strong collisions during transport.
2. Do not store in damp environments.

Packing list

- 1X Infrared sauna room with floor
- 3X Heating element tubes for FIR-023L serial
- 5X Heating element tubes for FIR-022L serial
- 6X Heating element tubes for FIR-033L serial
- 6X Heating element tubes for FIR-044L serial
- 2 X Cup shelves
- 1X Light bulb
- 1X CD player and 2X Speakers
- 1X CD player back cover
- 1X Backrest
- 1X Bag of screws and bolts
- 1X Hand screwdriver
- 1X Instruction manual

Manual para el montaje de saunas de Infrarrojos



Índice

=====

	Página
Introducción, beneficios, características principales.....	2
Requerimientos de instalación	2
Procedimiento de instalación.....	3-11
Funcionamiento	12
Precauciones de funcionamiento.....	13
Solución a problemas.....	14-15
Mantenimiento.....	16
Transporte	16
Lista de material incluido.....	16

Manual para el montaje de saunas de Infrarrojos

1. Introducción

Miles de usuarios disfrutan de los beneficios de la sauna de infrarrojos cada día. Las saunas de infrarrojos ayudan a quemar calorías, reducir toxinas, e aliviar dolores. Ahora usted puede disfrutar de los grandes beneficios de la Sauna de Infrarrojos en su propia casa.

2. Beneficios estéticos y de salud.

Reduce el dolor: Los rayos infrarrojos de la sauna aceleran la circulación de la sangre y proporcionan mas oxígeno al cuerpo. Aumentando la circulación sanguínea se disminuyen las inflamaciones y el dolor, recuperandose más rápidamente. Las saunas de infrarrojos se utilizan también para tratar reumatismo y artritis. Incrementa la circulación sanguínea no solo aliviando molestias internas, sino mejorando también problemas de piel, como soriasis, eczemas y marcas en la piel. La buena circulación es esencial para una piel firme y tersa.

Quema calorías y adelgaza: La sauna de infrarrojos elimina el exceso de sal y la grasa subcutánea. Con una sesión de media hora en la sauna de infrarrojos se queman 600 calorías contra las 300 calorías que se queman en una sesión de media hora de jogging, o contra 225 calorías que se queman en una sesión de media hora de bicicleta.

Relaja cuerpo y mente: Usando el reproductor de CD para escuchar su música favorita relaja y reduce el stress. Las saunas de infrarrojos a menudo curan el insomnio y otros problemas causados por el stress.

Reduce toxinas y mejora el cutis: La sudoración en un ambiente a baja temperatura hace que se activen las glándulas sudorosas y ayuda a eliminar las toxinas de la piel.

3. Características principales

- a. Artesanía de alta calidad.
- b. Termostato automático para una temperatura constante.
- c. Tiempo y alarma. La alarma le avisara 5 minutos antes de que se acabe la sesión.
- d. Sensor digital y termómetro.
- e. Tubos de infrarrojos.
- f. Radio Stereo AM/FM con reproductor de CD y altavoces

Instalación

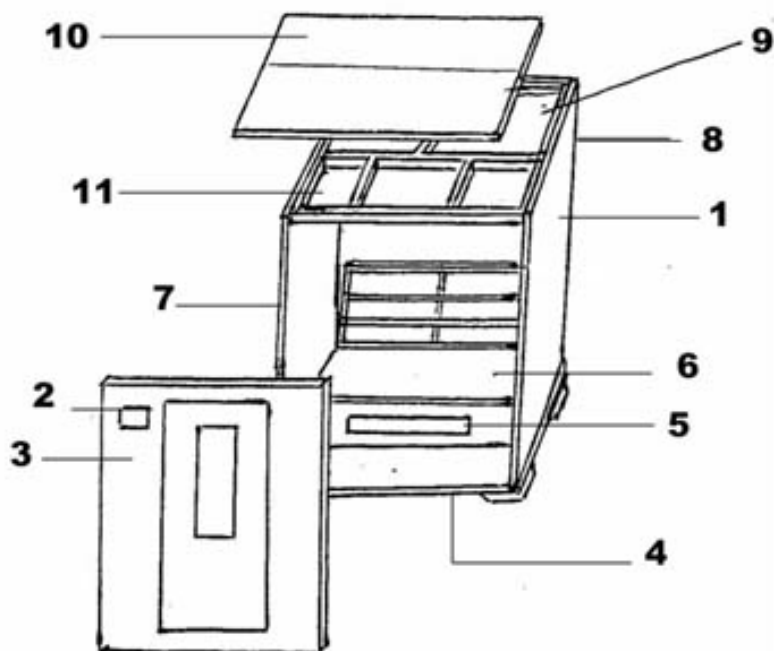
1. Requerimientos de instalación

- a. No conectar ningún otro aparato en el enchufe donde este conectada la sauna.
- b. Instalar la sauna en una superficie nivelada.
- c. No mojar el exterior de la sauna con agua. Si el suelo esta mojado colocar un aislante en el suelo para mantener la sauna seca.
- d. No almacenar cerca de la sauna productos inflamables ni sustancias químicas.

Procedimientos de instalación

Habitáculo de la sauna:

1. Estructura de la sauna de infrarrojos. Mirar dibujo **FIG-1**



- | | | |
|-------------------------------|-----------------------------------|------------------------------|
| 1. right side board | 2. digital panel | 3. front board |
| 4. bottom board | 5. sitting baffle | 6. sitting board |
| 7. left side board | 8. back board | 9. internal top board |
| 10. external top board | 11. electric control panel | |

2. Las Saunas de infrarrojos para dos personas se sirven en dos cajas. Ver foto **FIG-2**



FIG-2 Dos cajas

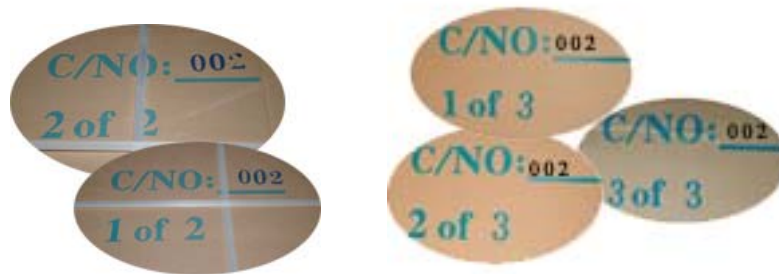


FIG-2.1 C/No.

Comprobar el C/NO. en ambas cajas para asegurarse que tiene el mismo numero, sino tienen el mismo numero pongase en contacto con su distribuidor donde compro la saunas. **Sauna para 3 personas y la Sauna Corner para 4 personas se sirven en 3 cajas**, por ejemplo: C/NO: 002 1de 3, C/NO: 002 2 de 3 y C/NO: 002 3 de 3 ; **Sauna de 1-persona y Sauna de 2-personas se sirven en dos cajas**, por ejemplo: C/NO: 002 1de 2 y C/NO: 002 2 de 2.

Ver foto **FIG-2.1**

Manual para el montaje de saunas de Infrarrojos

Asegurese que ha recibido todas las partes que componen la sauna antes de empezar la instalación. Compruebe la lista:

- A. Manual de usuario
- B. Panel inferior (base del suelo)
- C. Panel posterior
- D. Panel lado izquierdo
- E. Panel lado derecho
- F. Protección inferior del banco
- G. Banco
- H. Respaldo
- I. Panel frontal
- J. Panel superior interno
- K. Panel superior externo
- L. Reproductor de CD
- M. Tapa trasera del reproductor de CD
- N. Destornillador
- O. Toallero

Manual para el montaje de saunas de Infrarrojos

Procedimientos de instalación

Coloque el panel del suelo (sección 4, Diagrama del habitáculo de la sauna, p.3) en el sitio deseado para su sauna. Asegurese de que lado es el frontal y que lado es el posterior. **Ver foto FIG-3.**



FIG-3 Coloque el panel del suelo



FIG-4 Instale el panel lateral

4. Instalación panel posterior, alinéelo (sección 8 Diagrama del habitáculo de la sauna, p.3) con los listones del panel del suelo, asegurese que están en línea. **Ver foto FIG-4**
5. Instalación del panel izquierdo, alinéelo (sección 7 Diagrama del habitáculo de la sauna, p.3) con los listones del panel del suelo. Asegurese que estén en línea y que el lateral izquierdo quede fijado con el panel posterior. **Ver foto FIG-5**



FIG-5 Instalación panel izquierdo



FIG-6 Fijación

Manual para el montaje de saunas de Infrarrojos

7. El fijación tiene una lengüeta que debe colocarse en la ranura de la guía para que quede alineada. Coja el panel posterior (manténgalo levantado y recto del panel del suelo) y coloque la fijación en la lengüeta, no la cierre todavía. Cuando el panel posterior y el panel izquierdo estén colocados juntos en el panel del suelo cierre la fijación. **Ver foto 6.**



FIG-7 Instalación panel derecho



FIG-8 Instalación de la protección inferior del banco

8. Alinee el panel derecho (sección 1 Diagrama del habitáculo de la sauna, p.3) con los listones correspondientes del panel del suelo. Asegurese que el panel queda fijado con el panel posterior y cierre el fijación. **Ver foto FIG-6 y FIG-7**
9. Coloque la tapa inferior del asiento con los elementos de calefacción (sección 5 Diagrama del habitáculo de la sauna, p.3) déjela caer verticalmente entre las ranuras de los paneles laterales. Después, conecte el cable del asiento con el cable correspondiente de la pared. **Ver fotos FIG-7,8,9** Nota: Asegurese que los cables quedan conectados correctamente, sino el calefactor no funcionara.





Manual para el montaje de saunas de Infrarrojos

11. Coloque el asiento del banco (sección 6 Diagrama del habitáculo de la sauna, p.3) horizontalmente. **Ver foto FIG-10**
 12. Atornille el respaldo con el panel posterior (sección 12 Diagrama del habitáculo de la sauna, p.3) **Ver foto FIG-11**



FIG-11 Instalación del respaldo



FIG-12 Instalación del panel frontal

13. Alinee el panel frontal (sección 3 Diagrama del habitáculo de la sauna, p.3) con los listones del panel del suelo, entonces cierre las fijaciones del lateral izquierdo e derecho respectivamente. Nota: Tenga cuidado con la puerta de cristal para evitar daños. Ver foto **FIG-12**.
 14. Coja el reproductor de CD (sección 2 Diagrama del habitáculo de la sauna, p.3), ponga el CD en la ranura. Ver foto FIG-13.1. Entonces atornille el reproductor de CD a los soportes. Ver foto **FIG-13, 13.1, 13.2, 13.3**



FIG-13 Compruebe el CD y las piezas para su instalación



FIG-13.1 Instale el CD

Manual para el montaje de saunas de Infrarrojos



FIG-13.2 Instale el CD en el soporte metálico



FIG-13.3 Fije el CD con los soportes metálicos

15. Saque todos los cables fuera para que tenga suficiente espacio para instalar la placa de sujeción del CD. (sección 9 Diagrama del habitáculo de la sauna, p.3). **Ver foto FIG-14.** Abra la puerta, coloque el panel del techo en la parte superior, encajándolo con los paneles laterales y déjelo caer hasta que queden perfectamente ajustados.



FIG-14 Instalación del techo interior



FIG-15 Coloque los cables del calefactor en el panel del techo
A través del agujero correspondiente

16. Cuando coloque el panel del techo interior, asegúrese que todos los cables y enchufes se han pasado por el agujero correspondiente del panel del techo. Todos los cables se deben conectar al controlador en el panel interior del techo.

Ver foto FIG-15

17. Todos los tubos de infrarrojos están pre-instalados. Conecte todos los cables en el control superior situado en el panel del techo. Asegúrese que todos los cables quedan conectados correctamente. **Ver foto FIG-16**

Manual para el montaje de saunas de Infrarrojos



FIG-16 Conecte los cables en el control

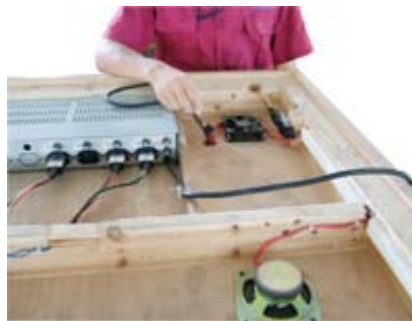


FIG-17 Pase los cables por el interior de la sauna

18. Después, pasa los cables del altavoz, sensor de temperatura, panel de control y reproductor de CD a través del agujero cerca del ventilador en el panel del techo. **Ver foto FIG 17**
19. Todos los cables del panel del techo deben de conectarse con el conector correspondiente del panel de control, reproductor de CD, sensor de temperatura y antena de la radio. La sauna no funcionara si no se conectan todos los cables. **Ver foto FIG 18-21.**



FIG-18 Conecte los cables del CD



FIG-19 Conecte el cable del sensor

Manual para el montaje de saunas de Infrarrojos

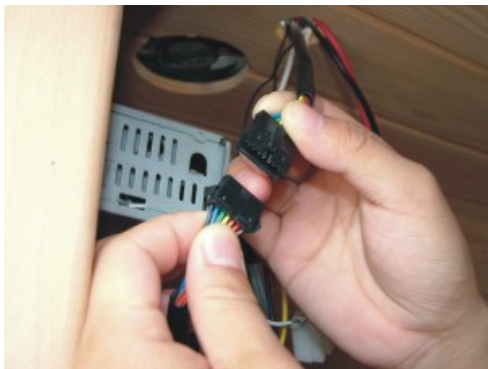


FIG-20 Conecte los cables del panel de control



FIG-21 Conecte el cable de la antena



FIG-22 Coloque la cubierta del CD



FIG-22.1 Fije la tapa con tornillos

20. Use la bolsa de tornillos que va con la tapa de cubierta del CD para fijar la. **Ver foto FIG-22, 22.1**

21. Una vez esta seguro que todos los pasos anterior son correctos, enchufe la sauna a la corriente para ver si funciona correctamente. Una vez esta seguro de su correcto funcionamiento coloque el panel superior del techo encima del panel interior del techo y pase el enchufe por el agujero correspondiente (sección 9 Diagrama del habitáculo de la sauna, p.3). **Ver foto FIG-23**



FIG-23 Pase el enchufe a través del agujero del panel superior del techo **FIG-24** Fije el panel superior con tornillos

22. Use los tornillos que van con el panel superior del techo para fijarlo al panel inferior. **Ver foto FIG-24**

La instalación ha sido finalizada.

Funcionamiento

1. Precauciones

- a. Compruebe que la corriente eléctrica y el enchufe cumplen con los requerimientos especificados.
- b. Escoja la temperatura y el tiempo, normalmente 30 minutos a 50C°.
- c. Beba agua antes de iniciar una sesión.
- d. Después de 2 horas de uso continuado de la sauna, apágela durante 1 hora.
- e. Para evitar quemaduras no toque los elementos de calefacción de la sauna.

2. Funcionamiento

- a. Solo conecte la sauna en un enchufe de 220 Voltios. No comparta el enchufe con otros elementos eléctricos. Conecte el enchufe y use el ON/OFF para encender o apagar la sauna. La Sauna debe ser desenchufada cuando no este en uso.
- b. Presión el botón de “temperature” para incrementar o disminuir la temperatura. Si la luz “temperature” esta encendida, la temperatura de la sauna se incrementara de grado en grado cada vez que se pulse el botón “+”. Para disminuir la temperatura proceda del mismo modo pero pulsando el botón “-“. Cuando la sauna alcance la temperatura deseada el botón de temperatura se apagará. Apreté el botón ‘light’ para encender o apagar la luz interior de la sauna.
- c. Si la sauna esta muy cargada, abra el agujero de ventilación del techo o abra la puerta.
- d. Después de una sesión de sauna, apágela y desenchufe el cable de la corriente.
- e. Para establecer el tiempo de funcionamiento apreté el botón ‘function’ hasta que la luz ‘time” parpadee. Presione los botones ‘+’ y ‘-‘ para establecer el tiempo de 5 a 90 minutos. Si mantiene presionados los botones durante 3 segundos el tiempo subirá rápidamente. Cuando el temporizador llegue a 05 minutos, se emitirá una alarma para avisar que en 5 minutos la sauna se apagará automáticamente. Para prolongar la sesión de la sauna vuelva a establecer el tiempo.
- f. **Reproductor de CD**
Lea las instrucciones del reproductor de CD antes de su uso.

Manual para el montaje de saunas de Infrarrojos



Precauciones

1. Precauciones de seguridad

- a. Para evitar incendios, no utilice la sauna para secar ropa ni deje toallas en el interior de la misma.
- b. Para evitar incendios o cortocircuitos eléctricos, no toque ni use herramientas metálicas en la red que cubre los tubos infrarrojos.
- c. Mientras este usando la sauna no toque la luz. Si necesita cambiar la luz, apágela y espere a que se enfríe, entonces puede cambiarla.
- d. No tire agua en los tubos infrarrojos, puede producir un cortocircuito o puede dañar los tubos de infrarrojos.
- e. No utilice la sauna de infrarrojos en los siguiente casos:
 1. Heridas abiertas
 2. Enfermedades oculares
 3. Quemadas solares severas
 4. Gente mayor o débil, especialmente las personas que sufren de enfermedades relacionadas directamente con la temperatura, niños ni mujeres embarazadas, siga los consejos de su médico antes de utilizar la sauna.
 5. No meta animales domésticos dentro de la sauna.
 6. No utilice la sauna si esta bajo los efectos del alcohol.
- f. No permite que utilice la sauna gente joven o personas enfermas sin la supervisión de una persona responsable;
- g. Vigile que los niños no jueguen con los enchufes.

Manual para el montaje de saunas de Infrarrojos

Solución a problemas:

	Problemas	Causas Posibles	Que hacer
1	Indicador de luz de potencia no funciona	El conector no esta bien conectado	Compruebe el conector o reemplácelo por uno nuevo
		El fusible esta quemado	Cambiar el fusible
2	Indicador de luz de encendido no funciona	La luz del indicador esta rota	Substituya el panel de control
		La placa de circuitos o componentes están rotos	Substituya la placa de circuitos
3	Calefactor de infrarrojos no calienta	El calefactor esta roto	Substitúyalo por uno nuevo
		La vida útil del calefactor se acortara gradualmente por el uso	De las mismas características
		El fusible esta quemado: Fusible izquierdo para el panel posterior Fusible derecho para el panel frontal	Cámbielo por uno nuevo de igual características
		El cable de empalme o el cable del calefactor esta flojo	Compruébelo y vuelva a conectarlo
		La placa de circuitos no funciona	Cambie la placa de circuitos
4	El selector de temperatura no funciona	Existe algún problema con el calefactor	Vea la sección 3 de problemas con el calefactor
		El cable sensor no funciona	Conecte o cambie el cable sensor
		La placa de circuito de control de temperatura no funciona	Cambie la placa de circuito del panel
5	Mal olor de la sauna	Problemas de circuitos (el cable de los fusibles esta flojo, cable de empalme esta flojo o alguno de los componentes de la placa de circuitos esta roto)	1) desconecte la corriente, compruebe la unidad de corriente y el voltaje; 2) Encuentre las partes dañadas 3) Cambie las partes dañadas
6	La luz no funciona	La luz esta quemada	Cambie la luz
		El cable de la luz esta suelto	Compruebe la conexión o reconecte el cable de la luz
		La conexión de la luz esta rota	Cámbiela
		Problemas eléctricos con el panel de control	Repárelo o cámbielo

7	El altavoz no funciona	El altavoz no funciona	Cámbielo por una nuevo de las misma especificaciones
		El cable del altavoz esta suelto	Conecte el cable del altavoz
		La luz que indica el CD esta apagada	Encienda el aparato para que empieza a trabajar
		Audio CD defectuoso	Inténtelo con otro CD
8	El reproductor de CD no funciona	La conexión eléctrica esta floja o dañada	Compruebe el conector o cámbielo
		El alimentador de corriente no envía corriente al CD	Compruebe los cables del alimentador de corriente o cámbielo
		El reproductor de CD esta defectuoso	Cambie el reproductor de CD
		Los fusibles del Reproductor de CD están quemados	Cambie los fusibles
9	La sauna no funciona	No esta enchufada	Enchufe la sauna
		No llega corriente a la salida	Compruebe la salida o el circuito eléctrico
		Los fusibles (F201) en el circuito eléctrico están quemados	Cambie el circuito 1A 250V

Manual para el montaje de saunas de Infrarrojos

Mantenimiento

Limpieza

Limpie la placa frontal con una toalla húmeda o si es necesario límpiela con una pequeña cantidad de jabón para las manos con agua templada. Limpie el habitáculo de la sauna con una toalla de algodón humedecida y seque la sauna con una toalla seca. No utilice gasolina, alcohol o ningún otro limpiador químico en la sauna. **NOTA: Cualquier producto químico que pueda dañar la madera dañara la sauna y la protección de la madera de esta.**

***** No haga funcionar la sauna ni el reproductor de CD mas de 2 horas seguidas. *****

Almacenamiento y transporte

1. Evite la exposición a la lluvia, nieve o colisiones fuertes durante el transporte.
2. No almacene la sauna en ambientes húmedos.

Packing list

- 1X Una sauna de infrarrojos
- 3X Tubos infrarrojos en los modelos de serie FIR-023L
- 5X Tubos infrarrojos en los modelos de serie FIR-022L
- 6X Tubos infrarrojos en los modelos de serie FIR-033L
- 6X Tubos de infrarrojos en los modelos de serie FIR-044L
- 1 X Banco
- 1X Luz
- 1X Reproductor de CD y 2x Altavoces
- 1X Tapa posterior para el reproductor de CD
- 1X Respaldo
- 1X Bolsa de tuercas y tornillos
- 1X Destornillador
- 1X Manual de instrucciones
- 1X Toallero

Manual de Instruções



Índice

=====

	Página
Introdução, benefícios e destaques.....	2
Requisitos de instalação.....	2
Procedimentos de instalação.....	3-10
Operações.....	11
Operações especiais.....	12
Problemas mais frequentes.....	13-14
Manutenção.....	15
Transporte.....	15
Lista de produtos de embalagem.....	13

Manual para el montaje de saunas de Infrarrojos

1. Introdução

Damos-lhe as boas vindas ao mundo das saunas de infravermelhos mais requisitadas! Nós felicitamo-lo também pela sua opção no sentido de melhorar a saúde! Os milhares de utilizadores apreciam os benefícios das saunas de infravermelhos todos os dias. As saunas de infravermelhos ajudam a queimar calorias, reduzem as toxinas, aliviam a dor e mesmo os complexos. Agora você pode desfrutar dos grandes benefícios do calor dos raios infravermelhos dentro da privacidade do seu lar.

Nós trabalhamos para entregar produtos de gama superior na saúde e com um preço atractivo. A nossa lista de clientes cresce diariamente e nós acreditamos que o seu sucesso é o nosso sucesso. A nossa equipa de funcionários tem 15 anos de experiência profissional comprovada e está apta a fornecer um excelente serviço aos clientes.

2. Os Benefícios da saúde e da beleza

Aliviam a dor: Os raios infravermelhos de uma sauna aceleram a circulação do sangue e fornecem mais oxigénio ao corpo. O aumento de circulação de sangue diminui inflamações e alivia a dor rapidamente acelerando a recuperação. As saunas de infravermelhos foram usadas também tratar a bursites, reumatismo, artrites, e hemorróidas. O aumento de circulação de sangue alivia não somente doenças internas, mas tem também condições para contribuir positivamente para a cura da psoríase, eczemas e cicatrizes. Uma boa circulação é essencial para obter uma pele lisa e firme.

Queima calorias e gordura: Os raios infravermelhos da sauna eliminam o sal em excesso e a gordura subcutânea. Queima até 600 calorias em meia hora de sessão enquanto que meia hora jogging queima apenas 300 calorias, e meia hora de ciclismo queima 225 calorias.

Relaxe o seu corpo e a sua mente: Use o leitor de CDs para ouvir a sua música favorita, para relaxar e reduzir o stress. As saunas de infravermelhos melhoram e curam até insónias e outro tipo de stress relacionado com desequilíbrios.

Reduza toxinas e diminua complexos: Suar num ambiente com uma temperatura mais baixa activa as glândulas do suor e expele as toxinas da pele.

3. Destaque

- a. Design de alta qualidade
- b. Termostato automático para uma temperatura constante
- c. Temporizador e despertador: o despertador soa 5 minutos antes do fim da sessão
- d. Sensor e termómetro de Digital
- e. Tubagem de infravermelhos
- f. Rádio AM/FM com leitor de CDs (*modelo de quarto apenas*)

Instalação

1. Requisitos de Instalação

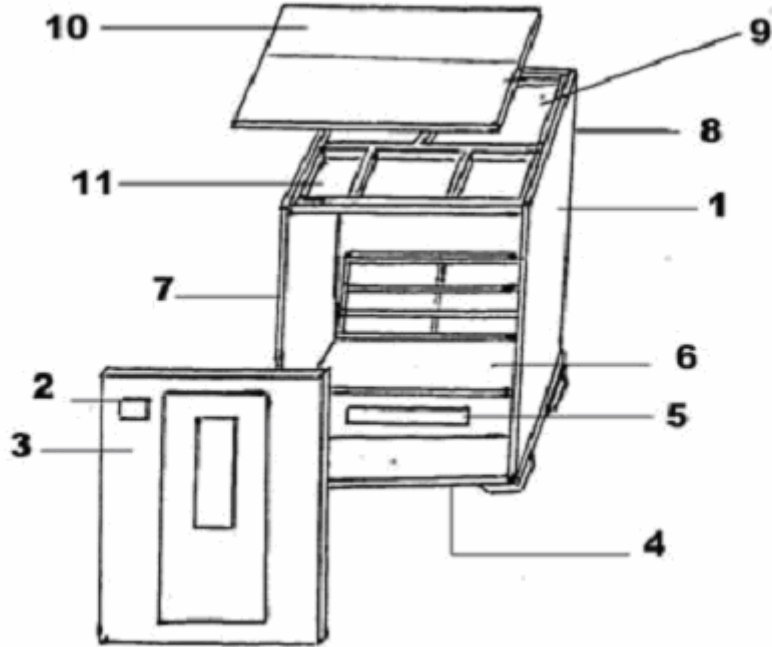
- a. Não ligue nenhum outro aparelho na tomada da sua sauna de infravermelhos.
- b. Instale a sauna num soalho nivelado.
- c. Não pulverize o exterior com água. Se o chão estiver húmido, instale um soalho elevado e seco para colocar lá a sauna.
- d. Não coloque objectos inflamáveis ou substâncias químicas perto do sauna.

Manual para el montaje de saunas de Infrarrojos

Procedimento de Instalação

Sauna:

1. Estrutura de sauna infravermelho. **Veja a FIG-1**



- | | | |
|----------------------------|----------------------------------|---------------------------|
| 1. Placa do lado direito | 2. Painel digital | 3. placa dianteira |
| 4. placa inferior | 5. deflector de assento | 6. placa de assento |
| 7. placa do lado esquerdo | 8. placa de trás | 9. placa superior interna |
| 10. placa superior externa | 11. Painel eléctrico de controlo | |

2. Uma unidade é embalada em duas caixas. **Veja FIG-2.**

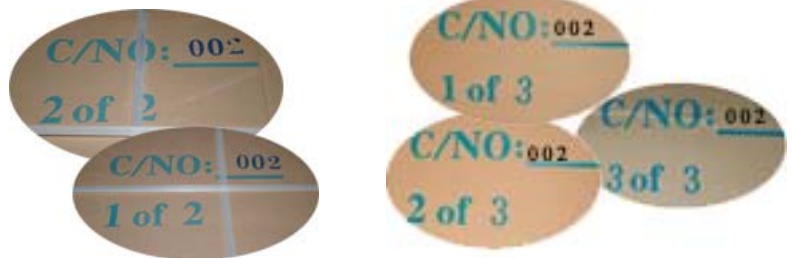


FIG-2 Caixa

FIG-2.1 C/No.

Observações: 1 pessoa ou 2 pessoas a sauna é a 1pc/2ctns; 3 pessoas ou 4 pessoas a sauna é 1pc/3ctns
 Verifique o C/NO em ambas as caixas pois devem ser os mesmos. Se não forem, contacte por favor quem lhe vendeu a sua Sauna de infravermelhos. **A sauna de 3 pessoas é a sauna que faz o canto e a sauna de 4 pessoas está embaladas em 3 caixas**, por exemplo C/NO: 002 1OF 3, C/NO: 002 2 OF 3 e C/NO: 002 3 OF 3 são para uma unidade; **a sauna de 1 pessoa e a sauna de 2 pessoas estão embaladas em 2 caixas**, por exemplo C/NO: 002 1OF 2 e C/NO: 002 2 OF 2 são para uma unidade. Veja **FIG-2.1**

Manual para el montaje de saunas de Infrarrojos

Assegure-se de que tem todas as peças antes de instalar a sua sauna. Veja na lista da embalagem as seguintes componentes:

- | | | |
|-----------------------------------|---------------------------|-------------------------|
| A. Manual de Instruções | B. Base de sauna | C. Placa de trás |
| D. Placa do lado esquerdo | E. Placa do lado direito | F. Assento deflector |
| G. Placa de assento | H. Descanso de costas | I. Placa da frente |
| J. Placa superior interna | K. Placa superior externa | L. Leitor de CDs |
| M. Tampa de trás do leitor de CDs | N. Chave de fendas | O. Prateleira da toalha |

Manual para el montaje de saunas de Infrarrojos

4. Procedimento de Instalação.

Coloque a placa inferior (Secção 4, Diagrama da sauna, pág.3) na posição desejada para colocar a sua sauna, e certifique-se de qual é o lado da frente e de qual é o lado de trás. **Veja FIG-3.**



FIG-3 Coloque a base da sauna



FIG-4 Coloque o painel de trás

5. Alinhe o painel de trás (secção 8) com as marcas correspondentes na base da sauna; assegure-se que estão na linha. **Veja FIG-4**

6. Alinhe o painel esquerdo (secção 7) com os marcas correspondentes na base da sauna; certifique-se dos ajustes esquerdos do painel ao nível do painel de trás. **Veja FIG-5**



FIG-5 Coloque o painel do lado esquerdo



FIG-6 Fecho

7. A tranca tem uma aba guia que deve ser colocada no encaixe da guia para o alinhamento. Escolha acima do painel de trás (pressione verticalmente ao painel de base) e coloque a aba no encaixe, não a tranque já. Quando a parede de trás e a parede da frente parede/ lado estiverem ajustadas à base, feche-o e tranque-o. **Veja a figura 6.**

Manual para el montaje de saunas de Infrarrojos



FIG-7 Coloque o painel direito



FIG-8 Monte a placa de sustentação do assento

8. Alinhe o painel direito (secção 1) nos encaixes correspondentes no painel de base; certifique-se de que os ajustes ficam direitos relativamente aos painéis da base. **Veja FIG-6 e FIG-7**
9. Encontre o deflector no assento com o aquecimento (secção 5) e deslize-o para baixo verticalmente no encaixe dentro da parede interna. A seguir, ligue o fio do calefactor do banco ao fio correspondente do painel de trás, encontre agora o deflector do assento (secção 5) e faça-o deslizar até ao local. **Veja a figura 7,8,9** Nota: Certifique-se de que os fios estão bem ligados, se não o calefactor não trabalhará.



FIG-9 Ligue o fio



FIG-10 Monte a placa do assento

10. Coloque o assento (secção 6) horizontalmente nos encaixes do painel de trás. **Veja FIG-10.**
11. Aparafuse o descanso de costas no painel de trás (secção 12). **Veja FIG-11**

Manual para el montaje de saunas de Infrarrojos



FIG-11 Monte a placa do assento



FIG-12 Monte o painel da frente

12. Alinhe o painel da frente (secção 3) nos encaixes correspondentes do painel inferior, e o fecho com os painéis da esquerda e da direita respectivamente. Nota: Tenha atenção à porta de vidro para evitar danos. **Veja FIG-12.**

13. Remova o leitor de CDs (secção 2), verifique se tem todas as peças, coloque o sistema estéreo na abertura para o leitor de CDs. **Veja FIG-13.1.** Aparafuse então a placa de suporte ao seu sistema estéreo. **Veja FIG-13, 13.1, 13.2, 13.3.** Nota: Leitor de CDs só com o modelo seleccionado.



FIG-13 Verifique as peças que fazem parte do seu leitor de CDs



FIG-13.1 Fixe o leitor de CDs



FIG-13.2 Fixe o leitor de CDs no suporte metálico



FIG-13.3 Aparafuse o suporte metálico

Manual para el montaje de saunas de Infrarrojos

14. Ponha todos os fios por forma a ter espaço suficiente por cima so painel superior (secção 9). **Veja FIG-14.** Abra a porta, levante o painel superior alta o suficiente para caberem os cabos nos painéis próximos, e coloque-a.



FIG-14 Ajuste o painel superior



FIG-15 Conduza aos fios dos calefactores no painel através do furo correspondente

16. Enquanto coloca o painel superior interno, certifique-se que todos os fios e tomadas estão nos furos correspondentes do painel de topo. Todos estes fios serão conduzidos ao controlador do painel superior interno. **Veja FIG-15**

17. Todos os calefactores de infravermelhos estão pré-montados. **Veja FIG-16.** Ligue todos os fios e coloque-os nas tomadas correspondents do painel de topo. Assegure-se de que todos os fios estão firmemente ligados.



FIG-16 Ligações do painel superior interno



FIG-17 Coloque os fios na cabine da sauna

18. Depois passe as fichas das colunas e do sensor de temperatura no leitor de CDs e no painel de controlo respectivamente, através dos furos que estão próximos do ventilador no painel superior. **Veja FIG 17**

19. Todos os fios do painel superior devem ser ligados ao painel de controlo, ao leitor de CDs, ao sensor de temperatura e à antena de radio. Se não estiverem correctas todas as ligações a sauna não funcionará. **Veja FIG 18-21.**

Manual para el montaje de saunas de Infrarrojos



FIG-18 Ligue os fios do leitor de CDs



FIG-19 Ligue os fios do sensor

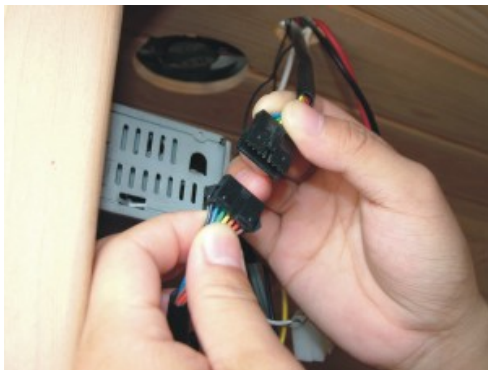


FIG-20 Ligue os fios no painel de controle

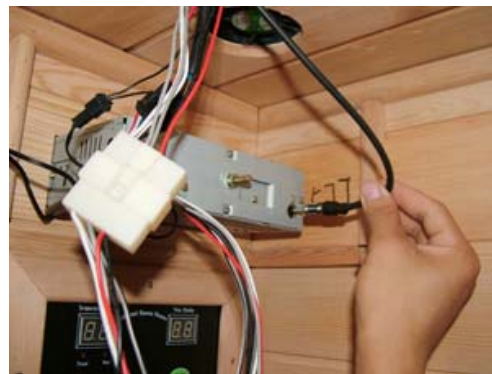


FIG-21 Ligue os fios da antena



FIG-22 Tampa e parafusos de trás do leitor de CDs



FIG-22.1 Afixe o leitor de CDs na parte de trás com parafusos

20. Afixe os parafusos que estão no saco na parte de trás do leitor de CDs; utilize uma chave de fendas para afixar o leitor de CDs na parte de trás. **Veja FIG-22, 22.1**

Manual para el montaje de saunas de Infrarrojos

21. Certifique-se que todas as etapas foram terminadas correctamente, coloque o cabo de corrente na tomada e tente usar a sua sauna pela primeira vez e assegure-se de que esta funciona correctamente. Coloque o painel superior externo (secção 10) sobre o painel superior interno, e passe o cabo da tomada pelo buraco correspondente no painel superior externo. **Veja FIG-23**



FIG-23 Leve a tomada até ao painel de topo



FIG-24 Afixe o painel de topo com os parafusos

22. Leve a tomada até ao painel de topo e passe-a para o exterior, depois aparafuse o painel superior. **Veja FIG-24**

Instalação Completa.

Manual para el montaje de saunas de Infrarrojos

Operações

1. Precauções

- a. Verifique todos os circuitos e reúna todas as exigências da tomada
- b. Ajuste a temperatura e o tempo a um nível confortável, normalmente, 30 minutos em 120°F.
- c. Beba um copo da água antes da sessão de sauna.
- d. Após 2 horas do uso contínuo, desligue a sauna pelo menos uma hora.
- e. Para evitar queimaduras, não toque no aquecimento.

2. Operações

- a. Ligue a sauna numa tomada com 220volt-wall. Não utilize a tomada para ligar outros objectos. Coloque o fio na tomada e use o interruptor ON/OFF para ligar a sauna. A sauna deve estar **desligada** quando não está a ser usada.
- b. Pressione a tecla 'temperature' para aumentar ou diminuir a temperatura. Se a luz 'heat' estiver ligada, o ajuste da temperatura aumentará um grau de cada vez que pressionar na tecla '+'. Se pressionar a tecla por 3 segundos, o aumento será muito rápido. Diminua a temperatura da mesma forma pressionando '-'. Quando a sauna tiver a temperatura que deseja a luz 'heat' desliga-se.
- c. Pressione a tecla 'light' para ligar e desligar a luz interior.
- d. Se a sauna tiver um ambiente asfixiante, abra o ventilador do tecto ou abra a porta da frente.
- e. Depois da sua sessão de sauna, desligue-a, e retire o cabo da tomada.
- f. Para ajustar a duração da sua sessão pressione 'function' até aparecer 'time' a piscar. Pressione as teclas '+' e '-' para ajustar o temporizador de 5 a 90 minutos. Se pressionar por 3 segundos, o temporizador aumentará de forma muito rápida. Quando no visor ler '05', os ruídos do temporizador avisam que a sauna se fechará automaticamente ao fim de 5 minutos. Para aumentar a duração da sessão, redefina o temporizador outra vez.

g. Leitor de CDs

Leia as instruções do seu leitor de CDs.



Precauções

1. Precauções de segurança

- a. Para evitar o fogo, não seque a roupa nem deixe nenhuma toalha na sauna
- b. Para impedir queimaduras e/ou choques eléctricos, não toque nem use ferramentas metálicas próximas do calefactor de infravermelhos.
- c. Enquanto estiver na sauna, não toque na saída de luz. Se esta saída precisar de ser mudada, desligue-a e espere até que a sauna esteja fechada e que a saída arrefeça.
- d. Não pulverize a água do tubo de infravermelhos. Isto poderá provocar choques eléctricos ou danos no calefactor.
- e. Não utilize a sauna se:
 - i. tiver feridas abertas
 - ii. doenças oculares
 - iii. Queimaduras solares
 - iv. Em idosos ou pessoas enfraquecidas, especialmente os que sofrem de doenças. Mulheres grávidas e crianças estão proibidos. As crianças com mais de 6 anos poderão utilizar a sauna mas com vigilância de adultos.
 - v. Se sofre de doenças relacionadas com a temperatura, procure o conselho de um médico antes.
 - vi. Não coloque animais de estimação na sauna.
 - vii. Não use a sauna se você estiver sob o efeito de álcool.

Manual para el montaje de saunas de Infrarrojos

Resolução de problemas:

	Problema	Causa possível	O que fazer
1	Luz indicadora da fonte de alimentação que não trabalha	A ligação não está feita de forma adequada	Verifique a ligação ou substitua-a por uma nova
		O fusível está queimado	Mude o fusível
2	A luz indicadora de funções não está a trabalhar	A luz indicadora em causa está partida	Substitua o painel de controle relevante
		A placa de circuito ou as componentes estão partidas	Substitua o painel de controle
3	Calefactor infravermelho que não aquece	O calefactor está partido	Substitua-o por um com as mesmas especificações
		A sua vida útil está a diminuir gradualmente por ter muito uso	
		O fusível queimado: Fusível L-Hand: para o painel de trás Fusível R-Hand: para o painel da frente	Substitua-o por um novo com as mesmas especificações
		A junção do fio está frouxa ou o fio do calefactor está frouxo	Verifique-o, e ligue-o firmemente
		A placa de circuito não está a funcionar	Substitua a placa de circuito
4	Se funcionar mal o ajuste da temperatura	Problemas com o aquecimento	Veja a terceira secção do problema de aquecimento
		O fio do sensor não está a funcionar	Volte a ligar ou modifique o sensor
		A placa do circuito que controla a temperatura não está a funcionar	Modifique o painel de controle do circuito
5	Cheiros vindos da sauna	Problemas de circuito (o fio do suporte do fusível está frouxo, o fio da junção está frouxo, a placa do circuito ou as componentes estão partidas)	1) desligue a sauna da corrente, e verifique a fonte de alimentação 2) Encontre a componente com problemas 3) Substitua as peças com danos
6	A luz não está a trabalhar	A luz está queimada	Substitua a luz
		A luz está a ficar fraca	Verifique a ligação e volte a colocar a ficha
		A ligação da luz está partida	Substitua-a
		Problemas eléctricos com o painel de controlo	Repare –a ou substitua-a
7	As colunas não estão a funcionar	As colunas estão partidas	Substitua-a por uma nova com as mesmas especificações.
		O fio da coluna está frouxo	Volte a ligar o fio da coluna
		A luz de indicação de corrente para o CD está desligada	Gire sobre o interruptor para o on para começar a trabalhar

Manual para el montaje de saunas de Infrarrojos

		O CD está danificado	Tente um CD diferente
8	O leitor de CDs não está a funcionar	A ligação está a perder-se ou está danificada	Verifique a ligação à tomada ou substitua-a
		A fonte de alimentação não dá potência ao leitor de CDs	Verifique a fonte de alimentação ou substitua-a
		O leitor de CDs está defeituoso	Substitua o leitor de CDs
		Os fusíveis de protecção do leitor de CDs estão queimados por fora	Substitua os fusíveis
9	A sauna não liga	O cabo de ligação está desligado	A fonte de alimentação está desligada
		A tomada não tem corrente	Verifique o disjuntor da tomada ou do circuito
		Os fusíveis (F201) na placa do circuito estão queimados por fora	Substitua o fusível do 1A 250V na placa do circuito

Manual para el montaje de saunas de Infrarrojos

Manutenção

Limpeza

Limpe o painel da frente com uma toalha molhada, ou limpe-a com um pouco de sabão misturado com água morna se necessário. Limpe o interior da sauna com uma toalha molhada de algodão, seque com uma toalha seca e limpa. **Não use benzina, álcool, ou algum produto químico forte na limpeza da sauna. NOTA: Todo o produto químico que puder danificar a madeira danificará a sauna e a camada de protecção que a madeira tem.**

***** Não deixe a sauna ou o leitor de CDs ligados mais de 2 horas de cada vez 2 *****

Transporte e armazenamento

1. Evite a exposição à chuva, à neve ou a choques fortes no transporte
2. Não armazene a sua sauna em locais húmidos

Lista da embalagem

- 1X Sauna de infravermelhos com soalho
- 3X Tubos do calefactor para a série de FIR-023L
- 5X Tubos do calefactor para a série de FIR-022L
- 6X Tubos do calefactor para a série de FIR-033L
- 6X Tubos do calefactor para a série de FIR-044L
- 2 X Prateleiras para copos
- 1X Bulbo de luz
- 1X Leitor de CDs e 2X Colunas
- 1X Tampa para a parte de trás do leitor de CDs
- 1X Descanso de costas
- 1X Saco de parafusos e parafusos
- 1X Chave de fendas
- 1X Manual de Instruções