



Product designation				Switch disconnecter with fuse
Product type designation				GM
Type of fuse				J
Number of poles	Nr.			3
Operating voltage type				AC
<b>Contact characteristics</b>				
IEC Conventional free air thermal current I <sub>th</sub>	A			63
Rated insulation voltage U <sub>i</sub> IEC/EN	V			1000
Rated impulse withstand voltage U <sub>imp</sub>	kV			12
Operating current I <sub>e</sub>				
AC21A	400V	A	63	
	500V	A	63	
	690V	A	63	
AC22A	400V	A	63	
	500V	A	63	
	690V	A	63	
AC23A	400V	A	63	
	500V	A	63	
	690V	A	63	
Power dissipation per pole max	W			4
Power dissipation per pole without fuse	W			4
Max fuse power dissipation			in open air	W 7.5
			in enclosure	W 7.5
Rated operational power AC23A	400V	kW	30	
	690V	kW	55	
Rated short time current (1s) I <sub>cw</sub> (rms)			kA	2.5
Short-circuit protection with fuse			Class/A	J/60
Making capacity AC23A 400V			A	630
Breaking capacity AC23A 400V			A	504
Mechanical life			cycles	10000
Electrical life AC21A			cycles	6000
<b>Mechanical features</b>				
Operating position	normal allowable		Vertical plan Any	
Fixing	Screw			
Terminals				

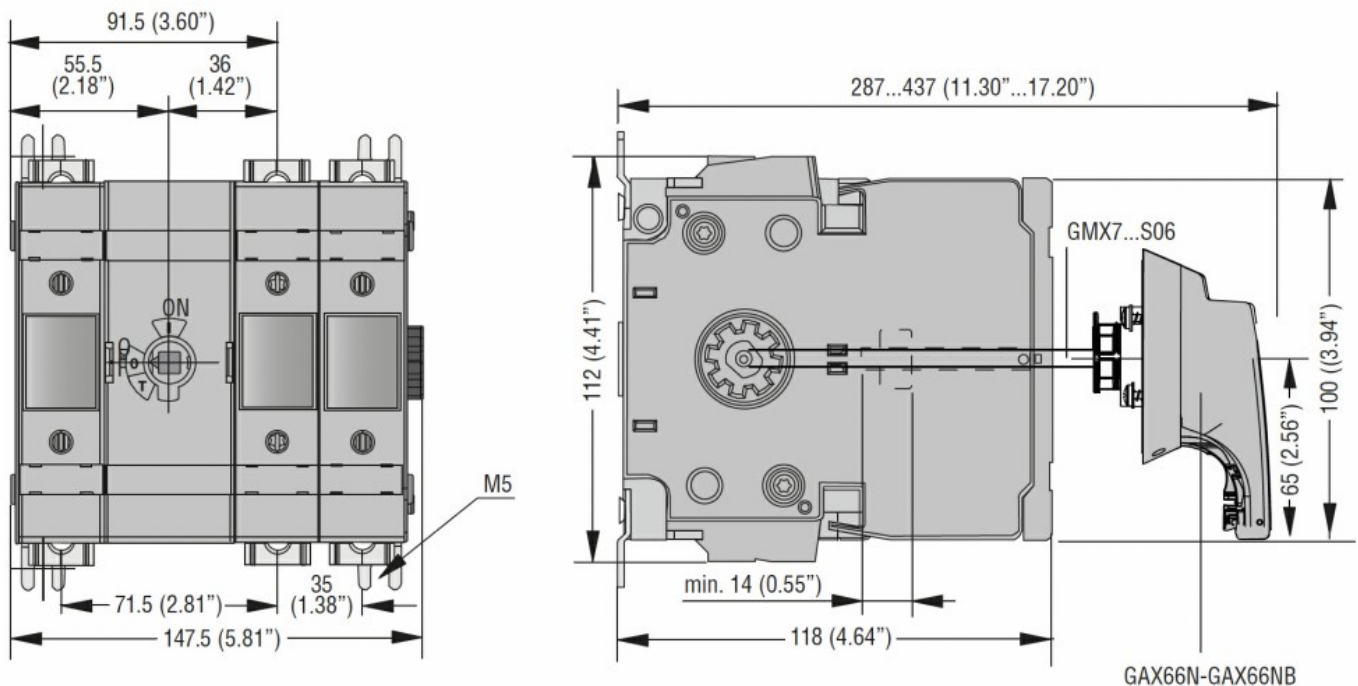
	type	Built-in terminal lug	
Tightening torque for terminals	max	Nm	3.5
	max	lbin	2.5
Conductor section	IEC min	mm <sup>2</sup>	2.5
	IEC max	mm <sup>2</sup>	25
	AWG/kcmil min		14
	AWG/kcmil max		4
Short circuit rating		kA rms	200
Short circuit rating with fuse		Class/A	J/60

Ambient conditions			
Operating temperature	min	°C	-25
	max	°C	55

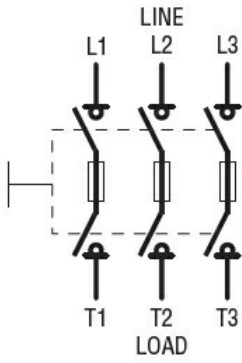
Storage temperature	min	°C	-40
	max	°C	70
Max altitude		m	3000

Resistance & Protection			
Frontal IP degree			IP20
Pollution degree			3

### Dimensions



### Wiring diagrams



### Certifications and compliance

#### Compliance

IEC/EN 60947-1

IEC/EN 60947-3

#### Certifications

cULus according to UL98/CSA C22.2 n°4

### ETIM classification

ETIM 8.0

EC000216 -  
Switch  
disconnecter