

Part number

# CZO 25 L



Hood, IL-BRID series, with 2 pegs, Pg16 side cable entry, size "66.16"

#### Product description

<b>Product type</b>	Hood
<b>Series</b>	IL-BRID
<b>Closing type</b>	With 2 pegs
<b>Size</b>	Size 66.16
<b>Cable entry</b>	Side cable entry Pg16

#### Technical data

<b>IP degree of protection</b>	IP66 / IP67 / IP69
--------------------------------	--------------------

#### Further technical details

<b>Weight</b>	110,00 g
<b>Operating temperature range (min, max)</b>	-40°C...+125°C

#### Material properties

<b>Other materials</b>	Gasket: NBR
<b>Colour</b>	RAL 7040 grey
<b>RoHs conformity</b>	Compliant
<b>China RoHs - EFUP</b>	E
<b>REACH SVHC substances</b>	No

#### Approvals / Standards

<b>UL</b>	ECBT2
<b>cUL</b>	ECBT8

#### General ordering information

<b>EAN13 code</b>	8015747044356
-------------------	---------------

#### Packaging Information

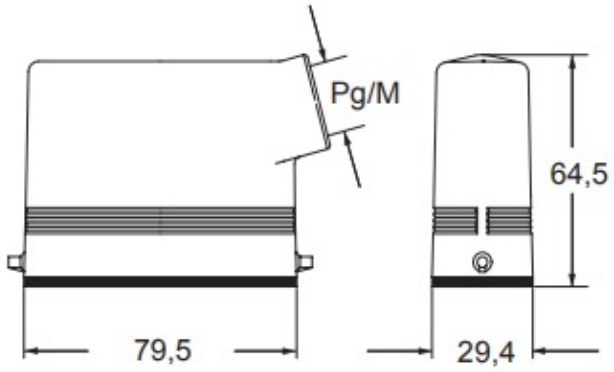
<b>Packaging length</b>	210,00 mm
<b>Packaging height</b>	75,00 mm
<b>Packaging width</b>	180,00 mm
<b>Packaging weight</b>	2,20 kg
<b>Packaging volume</b>	2,84 dm <sup>3</sup>
<b>Packaging description</b>	Carton box
<b>Packaging quantity</b>	20 Pcs
<b>Packaging EAN code</b>	8015747207461
<b>Sub-packaging weight</b>	0,55 kg
<b>Sub-packaging description</b>	Plastic packaging
<b>Sub-packaging quantity</b>	5 Pcs
<b>Sub-packaging EAN barcode</b>	8015747191883

Part number

# CZO 25 L



## Catalogue drawings



---

## Notes

Dimensions shown in mm are not binding and may be changed without notice.

---