

MCO

Reference(s) : 348 517/518/533



25 mm



50 mm



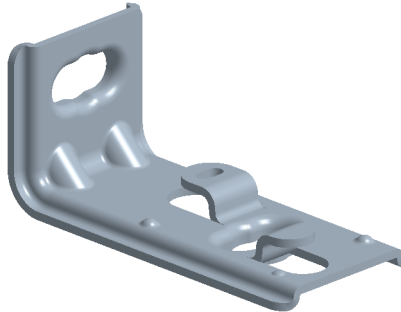
75 mm



3 m



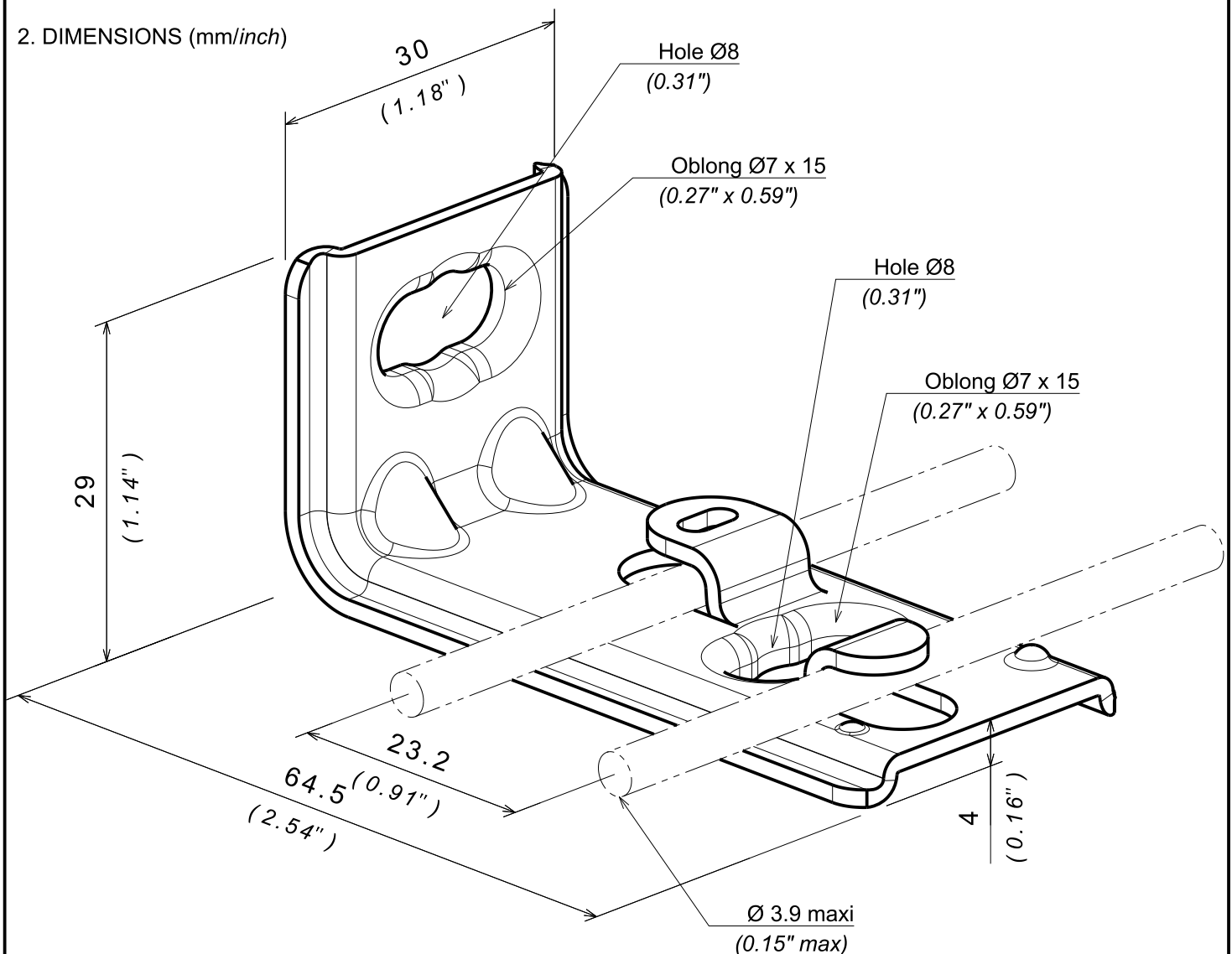
50 -> 75 mm



	20 DaN
	7 DaN.m
	5 DaN.m

1. GAMME / RANGE

Designation	Code	Poids / Weight (Kg) (lb)		Epaisseur / Thickness (mm) (inch)		Matière / Material	Norme / Standard	Finition / Coating	Classe de résistance contre la corrosion / Class for resistance against corrosion
MCO GS	348517	0.0322	0.070	1,5	0.059	S220GD Z275	EN 10 346	GS / PG	Class 3 / IEC 61537
MCO 304L	348518	0.0328	0.072	1,5	0.059	X2 Cr Ni 18-9	EN 10 088-2	IN304L / SS304L	Class 9C / IEC 61537
MCO ZnMg	348533	0.0322	0.070	1,5	0.059	S220GD ZM	EN 10 346	ZnMg	Class 8 / IEC 61537

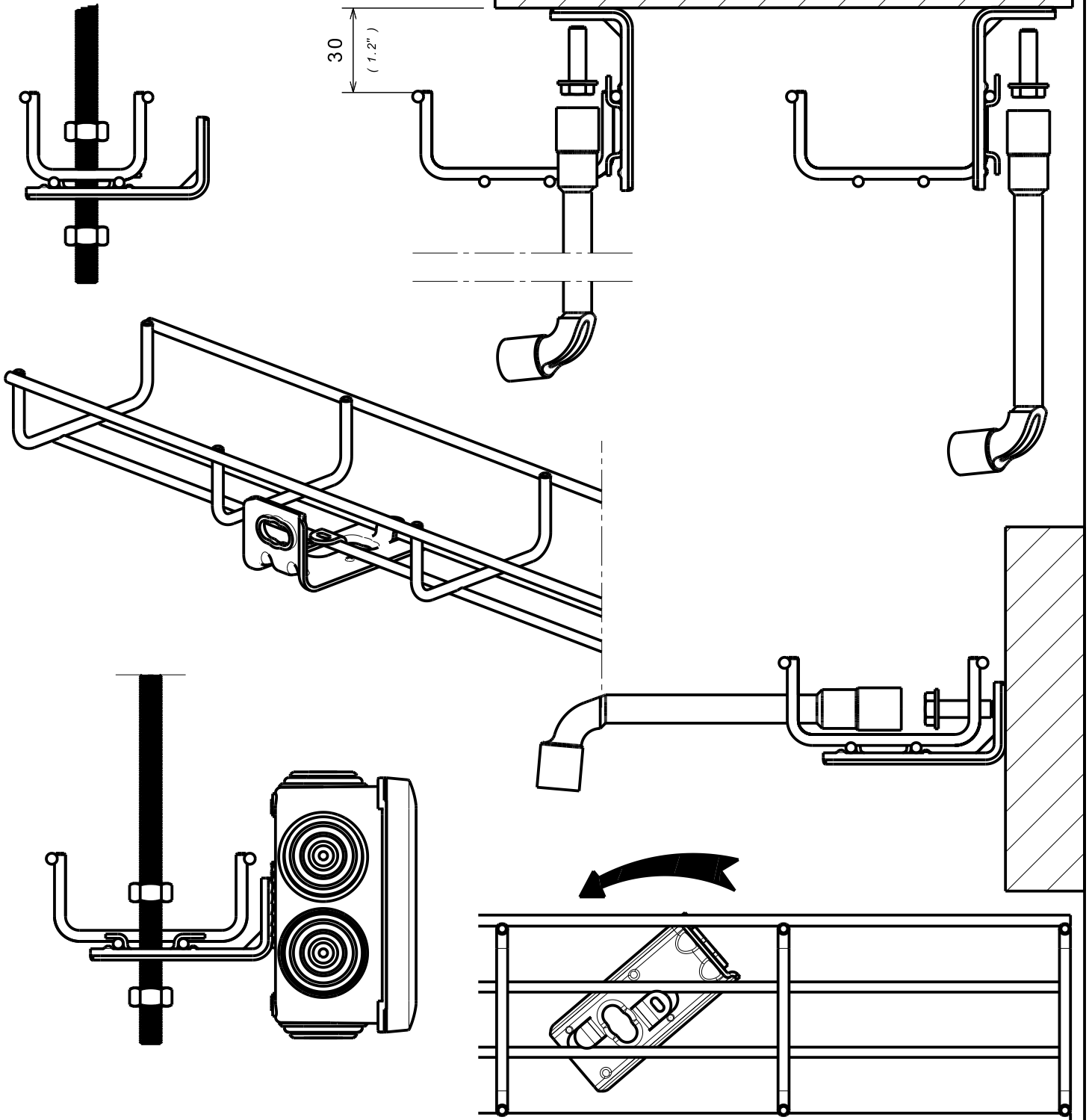
2. DIMENSIONS (mm/inch)


MCO

Reference(s) : 348 517/518/533

ZF31 H25mm	BP80->105	HM 6->8	VHM 6->8
3 m	TF 6->8	RM 6->8	TRL M6->8
50->75mm			

3. INSTALLATION H25.

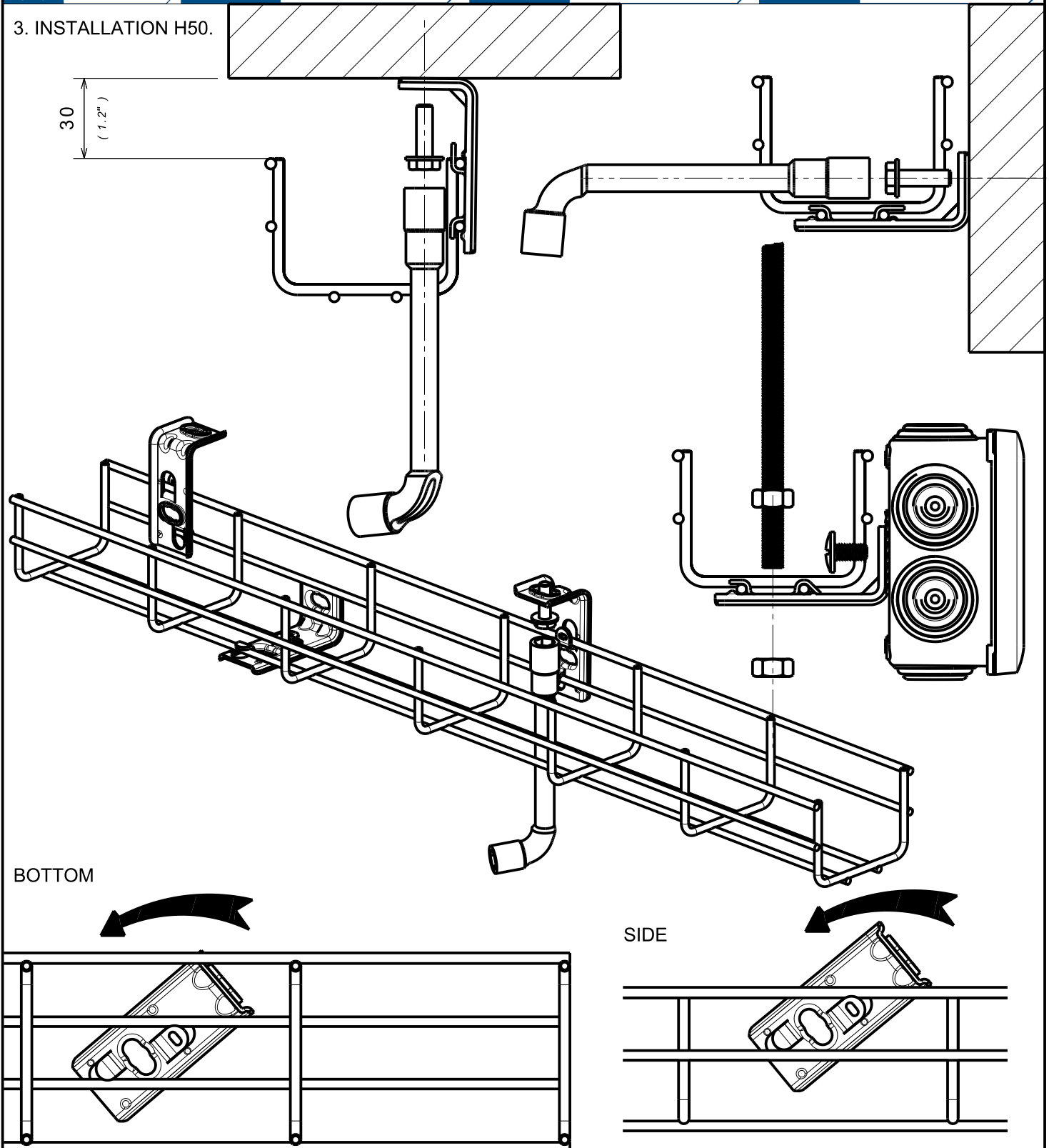


MCO

Reference(s) : 348 517/518/533

	ZF31 H50mm		BP80->105		HM 6->8		VHM 6->8
	3 m		TF 6->8		RM 6->8		TRL M6->8
	50->75mm						

3. INSTALLATION H50.

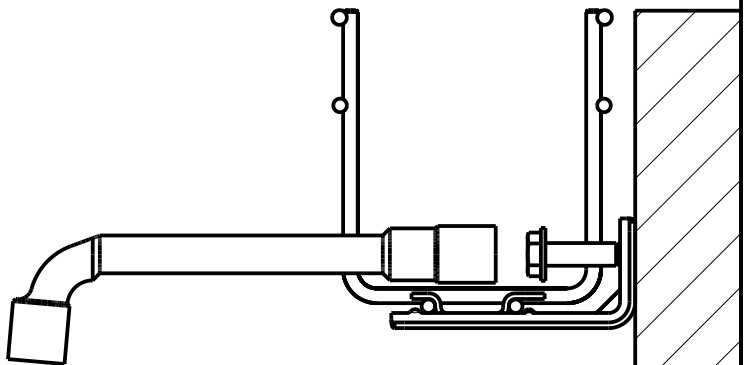
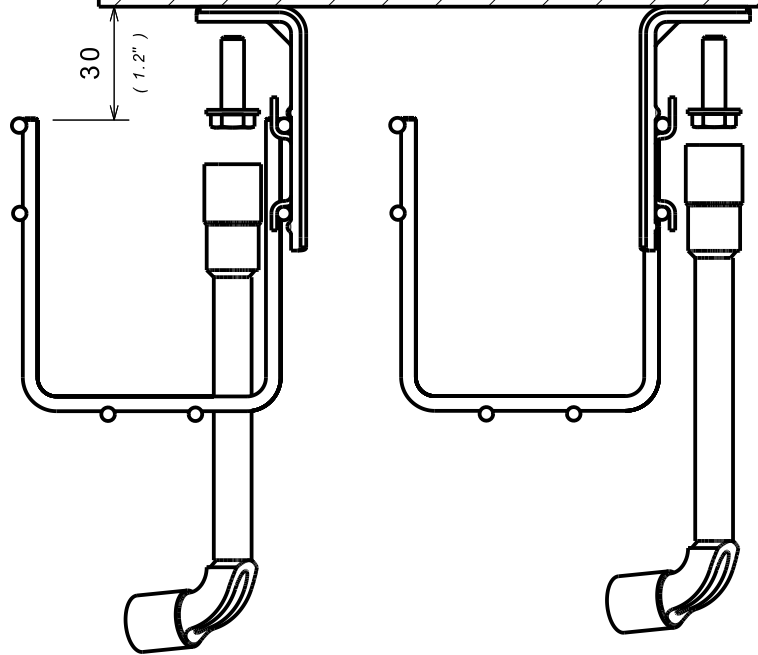
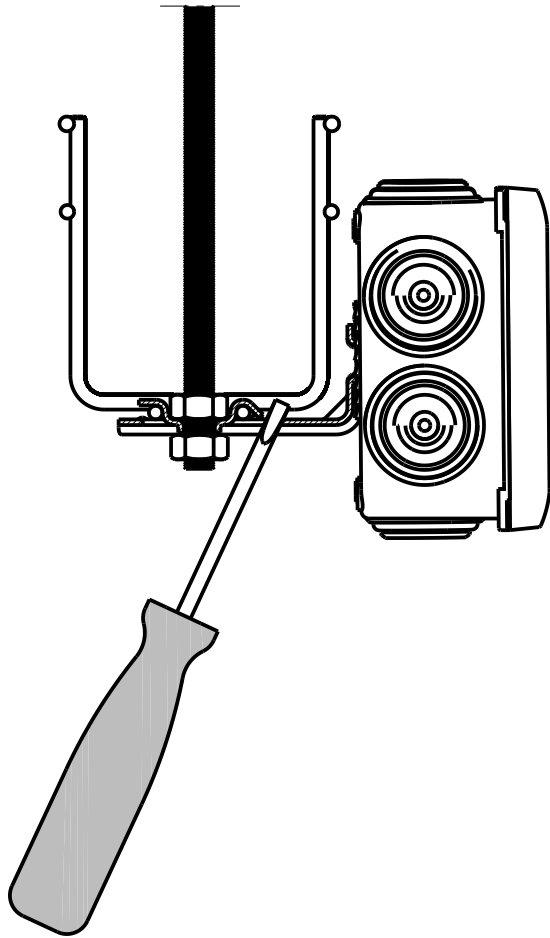


MCO

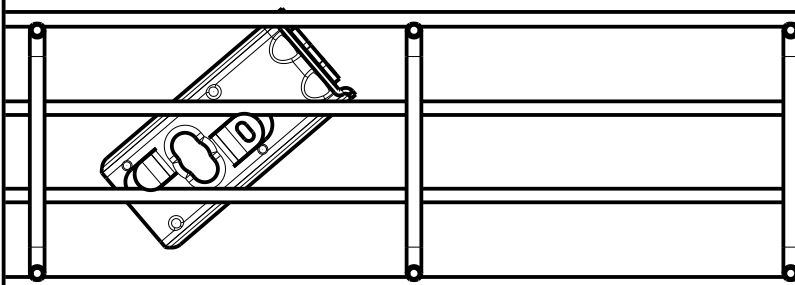
Reference(s) : 348 517/518/533

	ZF31 H75mm		BP80->105		HM 6->8		VHM 6->8
	3 m		TF 6->8		RM 6->8		TRL M6->8
	75mm						

3. INSTALLATION H75.



BOTTOM



SIDE

