

Part number

# MKAXS IAP20



Angled Bulkhead mounting housing, EMC series, with 1 lever, M20 cable entry, size "21.21"

## Product description

<b>Product type</b>	Angled bulkhead mounting housing
<b>Series</b>	EMC
<b>Closing type</b>	With 1 lever
<b>Size</b>	Size "21.21"
<b>Cable entry</b>	With cable entry M20

## Technical data

**IP degree of protection** IP44 - IP66 / IP67 / IP69 with CKR 65 (D)

## Further technical details

<b>Weight</b>	74,00 g
<b>Operating temperature range (min, max)</b>	-40°C...+125°C

## Material properties

<b>Main material</b>	Zinc die-cast
<b>Other materials</b>	Lever: Stainless steel Gasket: Conductive elastomer
<b>Colour</b>	RAL 7040 grey
<b>RoHs conformity</b>	Compliant
<b>China RoHs - EFUP</b>	E
<b>REACH SVHC substances</b>	No

## Approvals / Standards

<b>Certifications</b>	DNV, BV
<b>UL</b>	ECBT2
<b>cUL</b>	ECBT8

## General ordering information

<b>EAN13 code</b>	8015747101356
<b>eCl@ss 8.1</b>	27440202
<b>ETIM 7.0</b>	EC000437

## Packaging Information

<b>Sub-packaging weight</b>	0,07 kg
<b>Sub-packaging description</b>	Plastic bag
<b>Sub-packaging quantity</b>	1 Pcs
<b>Sub-packaging EAN barcode</b>	8015747101370

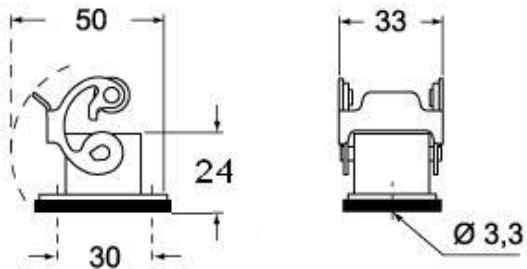
Part number

# MKAXS IAP20

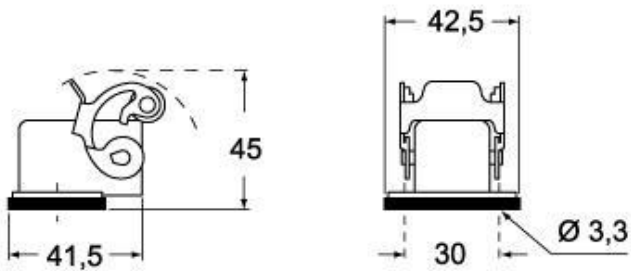


## Catalogue drawings

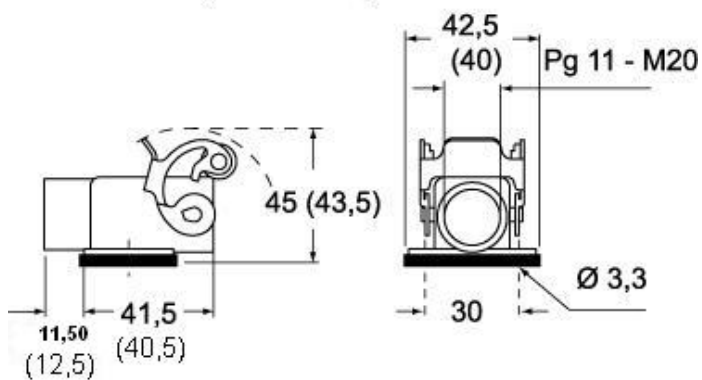
### CKAXS I



### CKAXS IA



### CKAXS IAP (CKAXS AP) MKAXS IAP (MKAXS AP)



## Notes

Dimensions shown in mm are not binding and may be changed without notice.