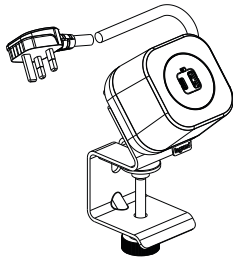
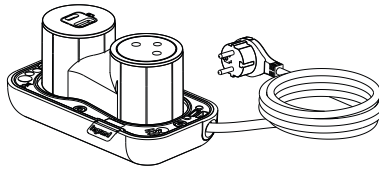


Incara™ Electr'On

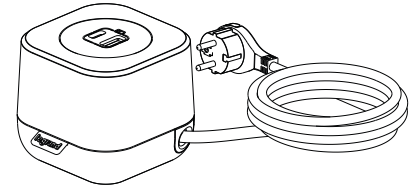
Cat. No(s): 6 549 00 to 25 - 6 549 30 to 38



6 549 24/25



6 549 02/03



6 549 22/23

1. USE

Incara™ Electr'On is a power outlet and USB charging solution with a unique design. Available in different colours and original materials (wood, concrete), Incara™ Electr'On is a unique electrification solution for the most elegant workspaces.

2. RANGE

■ 2.1 French standard

2.1.1 Complete Incara™ Electr'On kits

USB A+C chargers with 2,5 m cord equipped with		Standards	
		French & Schuko	
		1 gang	
		White	Black
-	USB A+C cord with french/schuko 2 P+E socket	6 549 22	6 549 23

2.1.2 Incara™ Electr'On base

with 2,5 m cord equipped with		Standards							
		French				Schuko			
		1 gang		2 gang		1 gang		2 gang	
		White	Black	White	Black	White	Black	White	Black
1x 2P+E	-	6 549 00	6 549 01	-	-	6 549 06	6 549 07	-	-
1x 2P+E	1 USB A+C	-	-	6 549 02	6 549 03	-	-	6 549 08	6 549 09
2x 2P+E	-	-	-	6 549 04	6 549 05	-	-	6 549 10	6 549 11
-	1 USB A+C - cord with french/schuko 2P+E socket	6 549 18	6 549 20	-	-	-	-	-	-

2.1.3 Incara™ Electr'On accessory

Accessory (only for French standard)	
Black fixing clamp	6 549 38

2. RANGE (cont.)

■ **2.2 British standard delivered mounted on clamp**

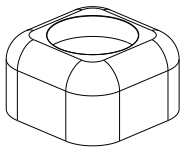
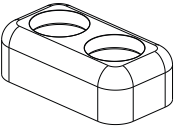
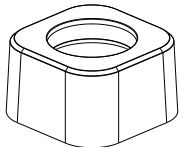
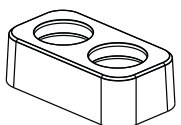
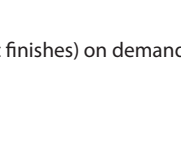



2.2.1 Complete Incara™ Electr'On kits

USB A+C chargers with 2,5 m cord BS plug with clamp equipped with		British Standard	
		1 gang	
		White	Black
-	USB A+C cord with BS socket	6 549 24	6 549 25

2.2.2 Incara™ Electr'On base

with 2,5 m cord BS plug with clamp equipped with		British Standard			
		1 gang		2 gang	
		White	Black	White	Black
1x 2P+E	-	6 549 12	6 549 13	-	-
-	1 USB A+C	6 549 19	6 549 21	-	-
1x 2P+E	1 USB A+C	-	-	6 549 14	6 549 15
2x 2P+E	-	-	-	6 549 16	6 549 17

■ **2.3 Incara™ Electr'On finishes for all standards**

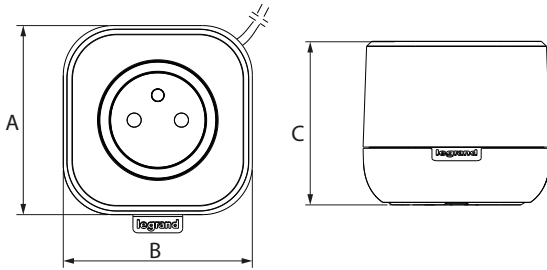
Finishes	1 gang		2 gang	
Concrete		6 549 30		6 549 34
Oak		6 549 31		6 549 35
White plastic*		6 549 32		6 549 36
Black plastic*		6 549 33		6 549 37

*4 additional colors (only plastic finishes) on demand

3. DIMENSIONS

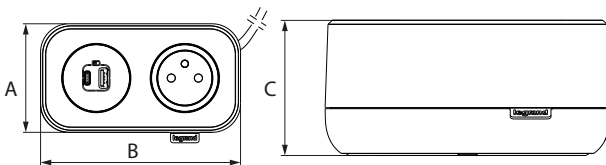
■ **3.1 French & Schuko Standards**

3.1.1 Incara™ Electr'On 1 gang



Cat. nos	A	B	C
6 549 00/01/06/07/18/20/22/23	76	76	66.3

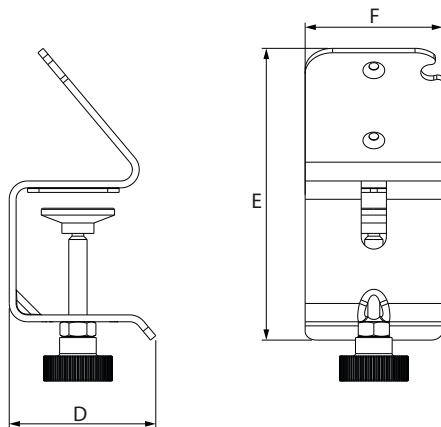
3.1.2 Incara™ Electr'On 2 gang



Cat. nos	A	B	C
6 549 02/03/04/05/08/09/10/11	76	140	66.4

3.1.3 Fixing clamp cat. no 6 549 38

Ergonomically designed metal fixing clamp providing power as close as possible to the user.

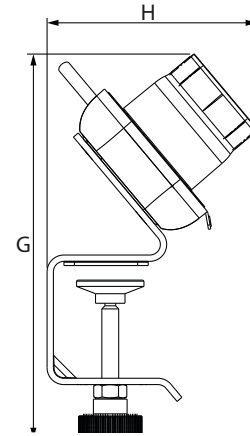


Cat. no	D	E	F
6 549 38	64	127	60

3. DIMENSIONS (cont.)

■ **3.2 British standard delivered mounted on clamp**

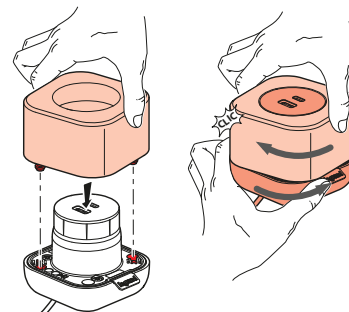
3.2.1 Incara™ Electr'On 1 et 2 gang



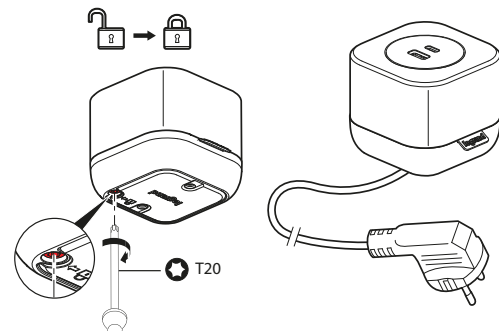
Cat. no	G	H
6 549 12/13/14/15/16/17/19/21/24/25	183	100

4. INSTALLATION

■ **4.1 Cover fitting on the base**

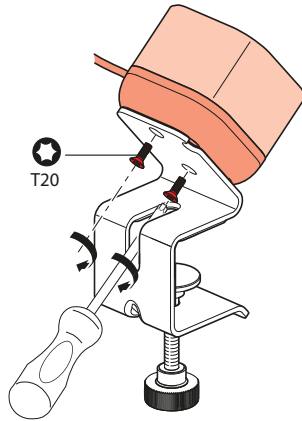


■ **4.2 Cover locking**

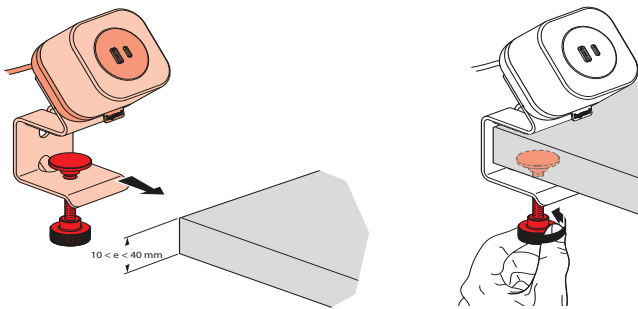


4. INSTALLATION (cont.)

■ 4.3 Mounting on the fixing clamp cat. no 6 549 38 only for french & schuko standards references



■ 4.4 Mounting on the desk



5. TECHNICAL CHARACTERISTICS

■ 5.1 Mechanical characteristics

Resistance to impact: IK 07

■ 5.2 Material characteristics

- Base:
 - Painted Zamak 5: white RAL 9003, black RAL 9017
 - Polycarbonate: white RAL 9003, black RAL 9017
- Covers:
 - ABS: white RAL 9003, black RAL 9017
 - Varnished oak
 - Concrete

■ 5.3 Electrical characteristics

5.3.1 2 P+E sockets characteristics

- Supply voltage: 250V~
- Frequency: 50/60 Hz
- Rated current:
 - for French & Schuko standards = 16A
 - for British standard : individually fused = 5A

5. TECHNICAL CHARACTERISTICS (cont.)

5.3.2 USB charger type (LXX15)

Trade mark	
Address	128, av. du Maréchal-de-Lattre-de-Tassigny - 87045 LIMOGES Cedex Tél. : 0 (+33) 5 55 06 87 87 - Fax : 0 (+33) 5 55 06 88 88 www.legrand.com
Input voltage	110-240V
Input AC frequency	50-60Hz
Output voltage	5,0V
Output current	3,0A
Output power	15,0W
Average active efficiency	83,9%
Efficiency at low load (10%)	83,3%
No-load power consumption	0,06W

5.3.3 Cords type

Textil cord HO3RT-H 3G 1.5mm² 300V

■ 5.4 Climate characteristics

Operating temperature: from -5°C to +35°C
Storage temperature: from -10°C to +70°C

6. CLEANING

Superficial cleaning with a soft cloth. Do not use abrasive products or detergents

Caution: Always test before using other special cleaning products

7. STANDARDS & APPROVALS

Compliant to:

		Standards	
Franco/Belgian	Schuko	British	
		socket	complete product
NF C61-314 and IEC 60884-1	IEC 60884-1	BS 1363-2	BS 5733

USB charger compliant to IEC 62368-1

Products should be installed by competent persons to the current version of the local wiring regulations.
Please consult Legrand locally for further details.