



| | | |
|--------------------------|-----|--|
| Product designation | | Micro PLC - Base module |
| Product type designation | | LRD20RA240 |
| Auxiliary supply voltage | | 100...240VAC |
| Number of inputs | Nr. | 12 digital |
| Number of outputs | Nr. | 8 relay |
| Max I/O number | | 20 (12 inputs + 8 outputs) up to 44 with LRE modules |

Power supply

| | | |
|-----------------------------|----|--------------|
| Rated auxil. supply voltage | | 100...240VAC |
| Operating voltage range | | 85...265VAC |
| Operating frequency range | Hz | 47...63 |
| Average current consumption | mA | 100 |
| Power consumption Max | W | 7.5 |

Digital inputs

| | | |
|-------------------------|-------------------------------|----------------------|
| Number of digital input | Nr. | 12 |
| Rated voltage | V | 100-240VAC (50/60Hz) |
| Input signals | State 0 (OFF) State 1 (ON) | <40VAC >79VAC |

| | | |
|---------------|-----------------|---|
| Response time | 0 to 1 (OFF-ON) | 50/45ms (Ue=120VAC); 22/18ms (Ue=240VAC) |
| | 1 to 0 (ON-OFF) | 50/45ms (Ue=120VAC); 90/85ms (Ue=240VAC) |

Digital outputs

| | | |
|-------------------------------|-----|---------|
| Number of digital output type | Nr. | 8 Relay |
|-------------------------------|-----|---------|

System resources

| | |
|---------|--------------------------------------|
| Display | LCD display, 4 lines x 16 characters |
|---------|--------------------------------------|

Connections

| | |
|---------------------------------|----------------------------|
| Terminals type | Screw |
| Tightening torque for terminals | max Nm 0.6 Max lbft 0.4 |

| | |
|-------------------|-----------|
| Conductor section | AWG/Kcmil |
|-------------------|-----------|

| | | |
|--|-----|----|
| | min | 26 |
| | max | 14 |

IEC

| | | |
|-----|-----------------|------|
| min | mm ² | 0.14 |
| max | mm ² | 2.5 |

Ambient conditions

Temperature

Operating temperature

| | | |
|-----|----|-----|
| min | °C | -20 |
| max | °C | +55 |

Storage temperature

| | | |
|-----|----|-----|
| min | °C | -40 |
| max | °C | +70 |

Relative humidity

% 20...90% without condensation

Housing

Mounting

35mm DIN rail or screw fixing (M4x20mm)

Degree of protection

IP20

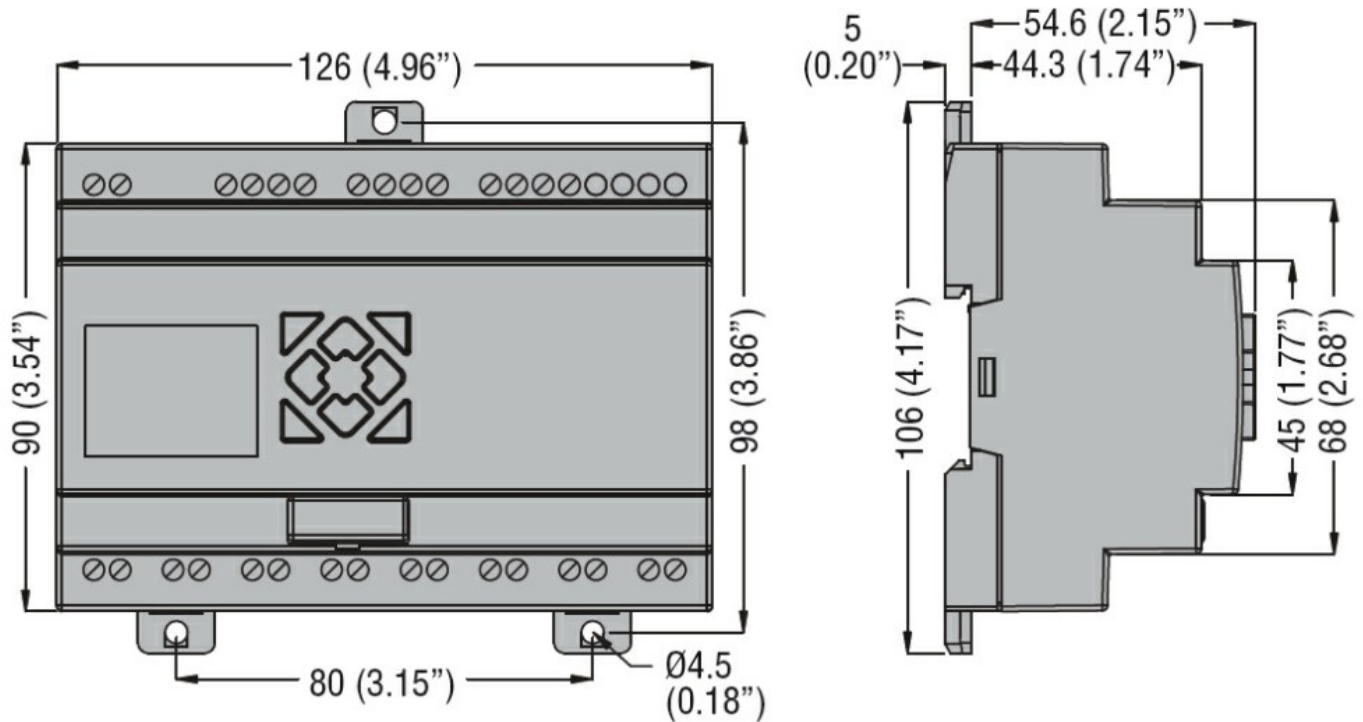
Dimensions (W x H x D)

mm 126 x 106 x 59.6

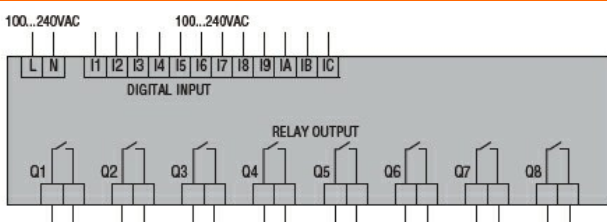
Weight

g 367

Dimensions



Wiring diagrams



Certifications and compliance

Compliance

CSA C22.2 n° 142

IEC/EN 61131-2

UL508

Certificates

cULus

EAC

ETIM classification

ETIM 8.0

EC001417 -
Logic module