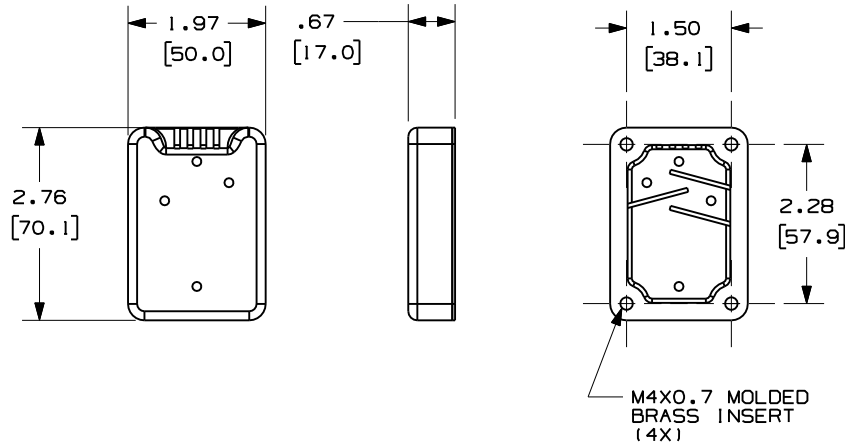
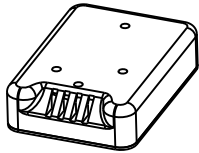


THIS COPY IS PROVIDED ON A RESTRICTED BASIS AND IS NOT TO BE USED IN ANY WAY DETRIMENTAL TO THE INTERESTS OF PANDUIT CORP.

PANDUIT P/N	WEIGHT
PZNDVK	.18 LBS EACH (81.6g EACH)



NOTES:

1. SEE CURRENT CATALOG FOR COMPLETE LIST OF PARTS APPLICABLE FOR USE WITH THIS PRODUCT.
2. DIMENSIONS IN PARENTHESES ARE IN METRIC.
3. KIT INCLUDES:
 - 1 - NEMA 4X RATED DRAIN AND VENT
 - 1 - PACK OF M4x8 SCREWS
 - 1 - PACK OF M4x10 SCREWS

MODEL FILENAME	V10396BG_DV4KIT_00.prt
CAD FILENAME/LAYERS	V10396BG_DC_00A.prt (1)

PANDUIT CORP. TINLEY PARK, ILLINOIS

PANZONE™ NEMA 4X DRAIN AND VENT KIT (PZNDVK) CUSTOMER DRAWING

UNLESS OTHERWISE SPECIFIED,
DIMENSIONAL TOLERANCES ARE:
(.X) ± .03 (.XXX) ± .005
(.XX) ± .01 ANGLES ± 1°

UNLESS OTHERWISE SPECIFIED,
ALL DIMENSIONS ARE GIVEN
IN INCHES, THIRD ANGLE PROJECTION.

DRAWN BY RYB	MAT'L: POLYESTER REINFORCED FIBERGLASS	SCALE 1:2
DATE 2/21/07	DRG NO. 10396-15	DRG A
CHK'D		SIZE

REV	DATE	BY	CHK	DESCRIPTION	ECN	R	CUST	SUP	OTH
00	2/21/07	RYB		RELEASED TO PRODUCTION	10396-15				