

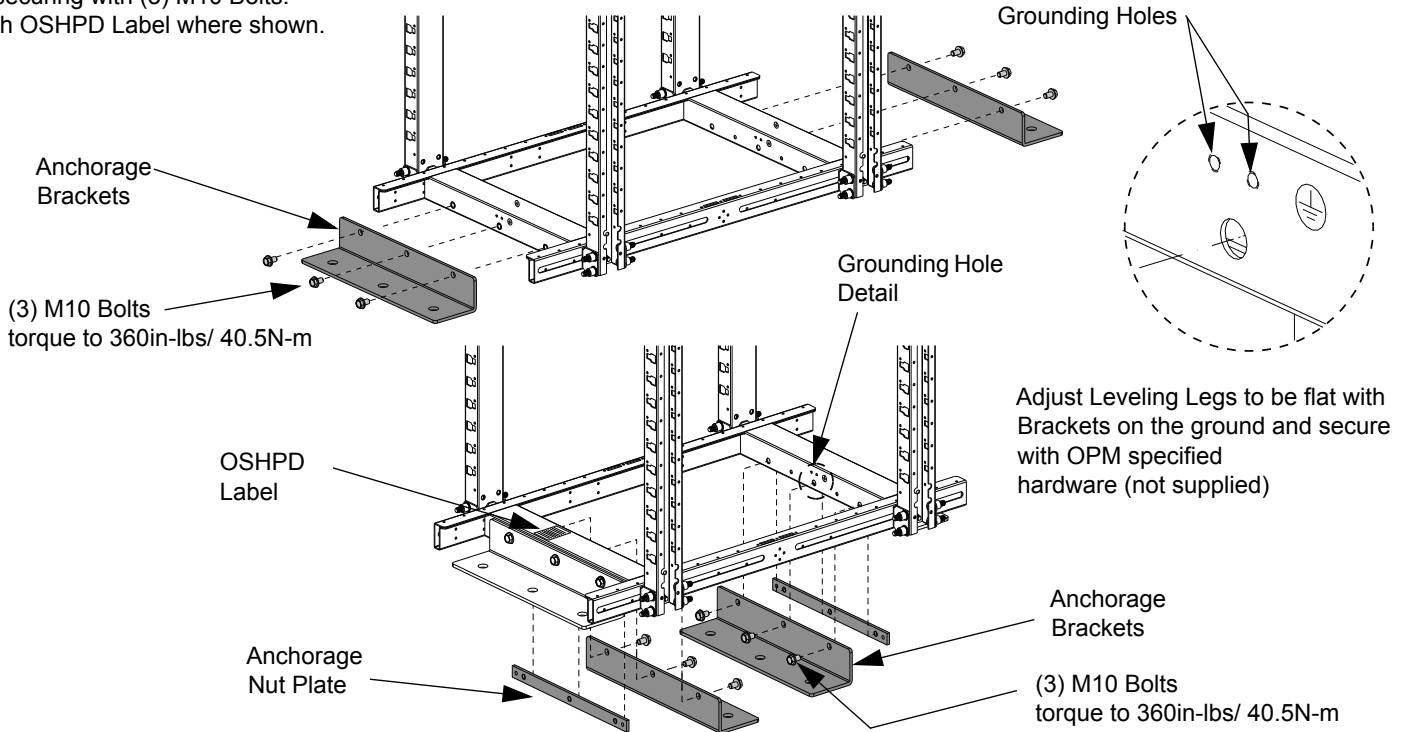
NAKOSHPD N-TYPE Installation

Adjust leveling legs to retracted position to clear casters 1/4".

Attach front and rear outer Anchorage Brackets using (3) M10 Bolts.

Attach front and rear interior Anchorage Brackets by inserting the Anchorage Nut Plate inside the side to side beam of the cabinet frame and securing with (3) M10 Bolts.

Attach OSHPD Label where shown.



Adjust Leveling Legs to be flat with Brackets on the ground and secure with OPM specified hardware (not supplied)

Note: If Anchorage Bracket covers grounding holes, Ground equipment using upper side to side beam grounding holes.

SAKOSHPD S-TYPE Installation

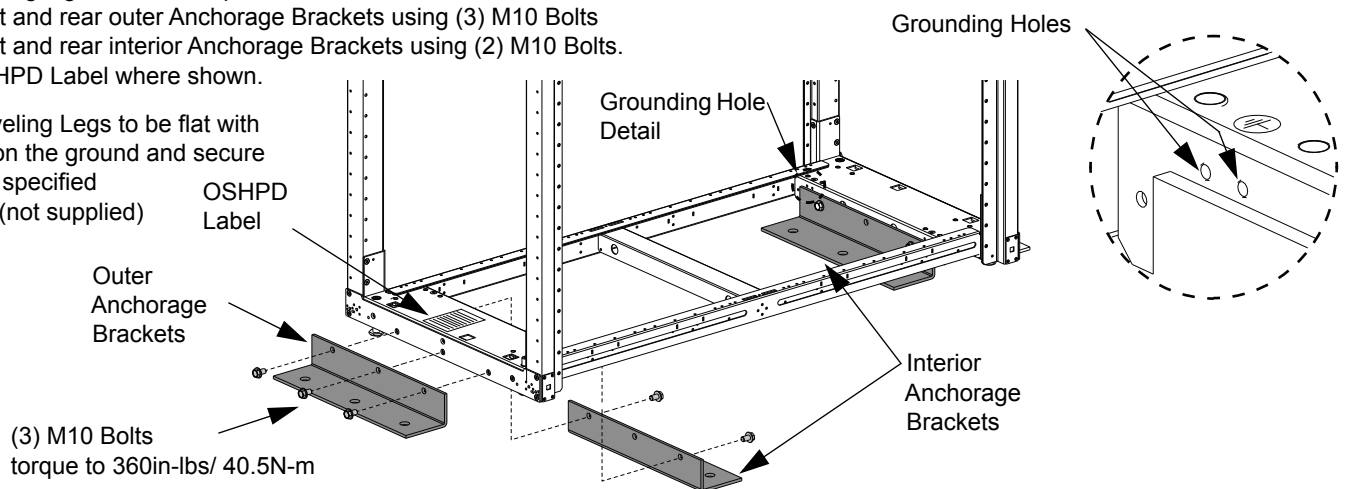
Adjust leveling legs to retracted position to clear casters 1/4".

Attach front and rear outer Anchorage Brackets using (3) M10 Bolts

Attach front and rear interior Anchorage Brackets using (2) M10 Bolts.

Attach OSHPD Label where shown.

Adjust Leveling Legs to be flat with Brackets on the ground and secure with OPM specified hardware (not supplied)



Note: If Anchorage Bracket covers grounding holes, Ground equipment using upper side to side beam grounding holes.