

Plugs and receptacles for industrial use: 63 A 4/5-pole up to 690 V



Inlet



Coupler



Flange socket



Wall socket w. interlock switch

Technical data

Plugs and receptacles - industrial use acc. to IEC 60309-1/2 up to 690 V

Permissible ambient temperature	-20 °C to +40 °C / -45 °C to +55 °C (optional) ¹⁾
Rated voltage	690 V
Rated current	63 A
Frequency	50/60 Hz
External back-up fuse, max.	without therm. protection: 63 A
Protection class	I
Degree of protection accd. to EN 60529	IP66

Wall socket with interlock switch

Rated making / Rated breaking capacity AC-23 accd. EN 60947-3 for wall socket with switch	U_e 415 V / I_e 63 A
Cable entry	1 x M50 cable gland, 1 x M50 thread plug plastic
Connecting terminals	2 x 4 – 25 mm ² with switch 2 x 4 – 35 mm ² without switch
Enclosure material	glass-fibre reinforced polyester

Plug

Cable entry	Ø 19 - 34 mm
Connecting terminals	1 x 4 – 16 mm ² / with pin cable lug ²⁾ 1 x 35 mm ²
Enclosure material	Polyamide

Coupler

Cable entry	Ø 19 - 34 mm
Connecting terminals	1 x 2.5 – 35 mm ²
Enclosure material	Polyamide

Flange socket/Inlet

Connecting terminals	1 x 2.5 – 35 mm ²
Enclosure material	Polyamide

¹⁾ extended temperature range on request

²⁾ use supplied cable lugs

Details for used cable glands see pages 2.3.ff

Plugs and receptacles for industrial use: 63 A 4/5-pole up to 690 V

1



Wall socket w. interlock switch



Flange socket



Coupler



Plug

Ordering details

Voltage	h	Type	Weight approx.	Order No.
Type 63 A 4-pole				
200-250 V		Wall socket with interlock switch	5.5 kg	GHG 524 4409 R0001
		Plug	0.75 kg	GHG 524 7409 R0001
		Coupler	1.2 kg	GHG 524 3409 R0001
		Flange socket	1.3 kg	GHG 524 8409 R0001
		Inlet	0.9 kg	GHG 524 9409 R0001
380-415 V		Wall socket with interlock switch	5.5 kg	GHG 524 4406 R0001
		Plug	0.75 kg	GHG 524 7406 R0001
		Coupler	1.2 kg	GHG 524 3406 R0001
		Flange socket	1.3 kg	GHG 524 8406 R0001
		Inlet	0.9 kg	GHG 524 9406 R0001
480-500 V		Wall socket with interlock switch	5.5 kg	GHG 524 4407 R0001
		Plug	0.75 kg	GHG 524 7407 R0001
		Coupler	1.2 kg	GHG 524 3407 R0001
		Flange socket	1.3 kg	GHG 524 8407 R0001
		Inlet	0.9 kg	GHG 524 9407 R0001
600-690 V		Wall socket with interlock switch	5.5 kg	GHG 524 4405 R0001
		Plug	0.75 kg	GHG 524 7405 R0001
		Coupler	1.2 kg	GHG 524 3405 R0001
		Flange socket	1.3 kg	GHG 524 8405 R0001
		Inlet	0.9 kg	GHG 524 9405 R0001
Type 63 A 5-pole				
200/250 V up to 380/415 V		Wall socket with interlock switch	5.6 kg	GHG 524 4506 R0001
		Plug	0.8 kg	GHG 524 7506 R0001
		Coupler	1.3 kg	GHG 524 3506 R0001
		Flange socket	1.4 kg	GHG 524 8506 R0001
		Inlet	1.0 kg	GHG 524 9506 R0001

Other voltage ranges and versions available on request

Accessories

Type	OU	Order No.
Plug cap for plugs		
Set of pin cable lug 35 mm ² (5 pcs. for plug)	5	GHG 510 1916 R0001
Plug cap 4-pole/5-pole	1	GHG 510 1901 R0006



Plug



Coupler

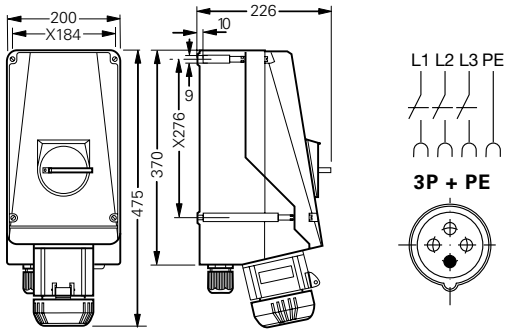


Inlet

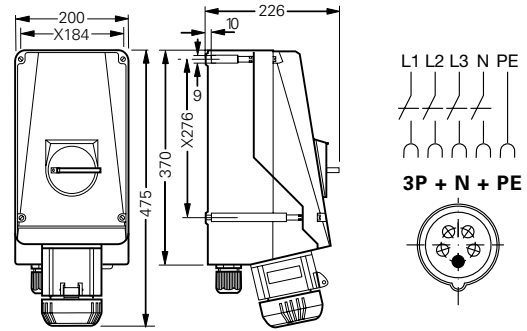


Wall socket w. interlock switch

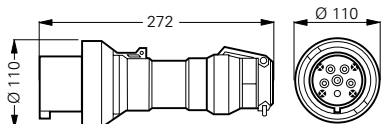
Dimension drawing | Wiring diagram



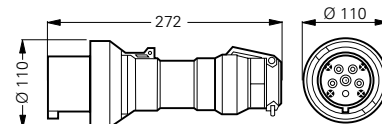
Wall socket 4-pole



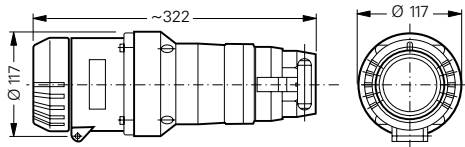
Wall socket 5-pole



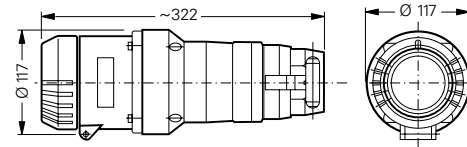
Plug 4-pole



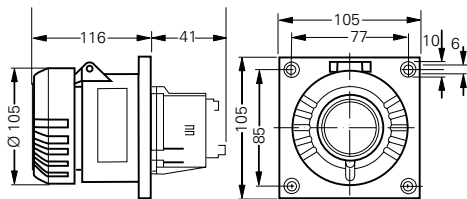
Plug 5-pole



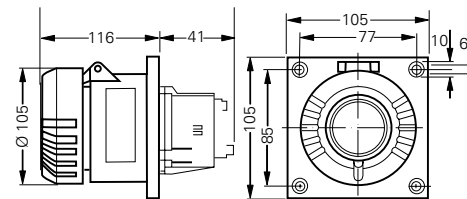
Coupler 4-pole



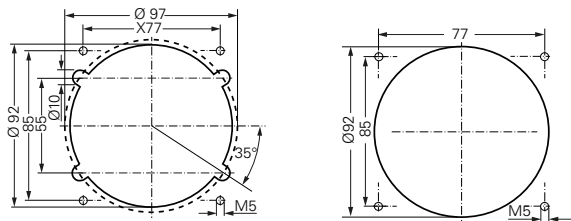
Coupler 5-pole



Flange socket 4-pole

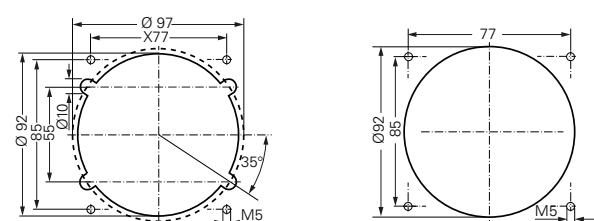


Flange socket 5-pole



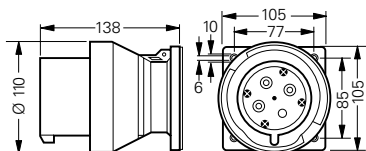
Assembly dimensions flange socket

Assembly dimensions inlet

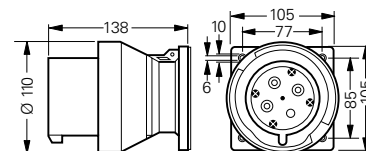


Assembly dimensions flange socket

Assembly dimensions inlet



Inlet 4-pole



Inlet 5-pole

X = fixing dimensions