


Part number

CDSF 18



Female insert, CDS series, spring terminal connection, 18 poles + PE, 10 A 400 V 6 kV 3, size "57.27"

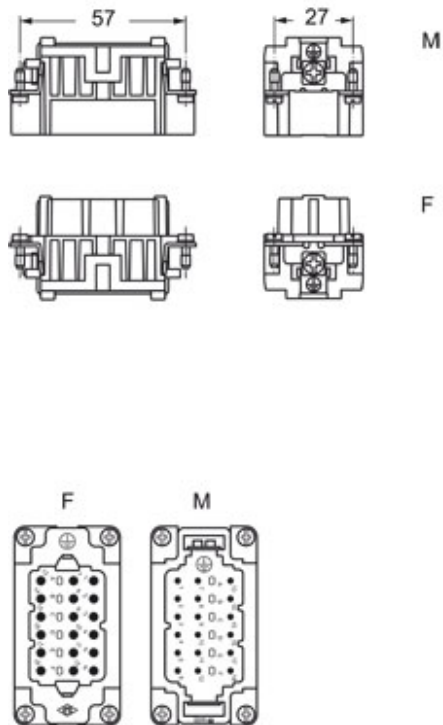
Product description		Material properties	
Product type	Insert	Main material	Polycarbonate (PC)
Series	CDS	Colour	RAL 7032 grey
Connection type	Spring terminal connection		Compliant with exemption 6(c): copper alloy containing up to 4% lead by weight
Gender	Female	RoHs conformity	
N. of poles	18 poles + 	China RoHs - EFUP	50
Size	Size "57.27"	REACH SVHC substances	Yes Lead
Technical data		Approvals / Standards	
Current	10 A	Reference standard	EN 61984:2009-06
Voltage	400 V	Certifications	CSA, CQC, DNV-GL, BV, EAC
Rated impulse withstand voltage	6 kV	UL	ECBT2
Pollution degree	3	cUL	ECBT8
Rated voltage according to UL/CSA	600 V	General ordering information	
Wire cross-section	0,14 mm ² - 2,50 mm ²	EAN13 code	8015747148559
AWG size	26 - 14	ETIM 7.0	EC000438
Contact type	Turned silver plated	Packaging Information	
IP degree of protection	IP20 without enclosure, IP65/IP66/IP68/IP69 with enclosure	Packaging length	210,00 mm
Further technical details		Packaging height	75,00 mm
Characteristics according to EN 61984	10A 400V 6kV 3; 10A 400/690V 6kV 2	Packaging width	180,00 mm
Mating cycles	≥ 500	Packaging weight	2,55 kg
Insulation resistance	≥ 10 GΩ	Packaging volume	2,84 dm ³
Contact resistance	≤ 3 mΩ	Packaging description	Carton box
Weight	71,00 g	Packaging quantity	30 Pcs
Operating temperature range (min, max)	-40 °C ... +125 °C	Packaging EAN code	8015747148597
Conductors stripping length	9...11 mm	Sub-packaging length	67,00 mm
UL 94 flammability rating	V-0	Sub-packaging height	36,00 mm
		Sub-packaging width	180,00 mm
		Sub-packaging weight	0,43 kg
		Sub-packaging volume	0,43 dm ³
		Sub-packaging description	Carton tray
		Sub-packaging quantity	5 Pcs
		Sub-packaging EAN barcode	8015747148603

Part number

CDSF 18



Catalogue drawings

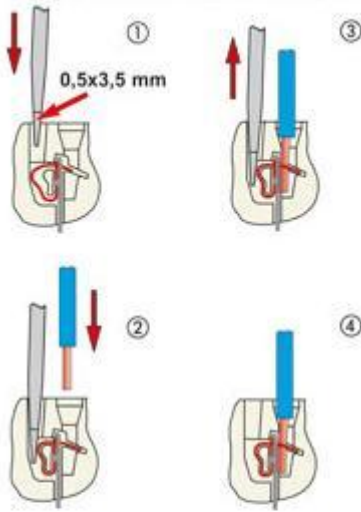


Notes

- characteristics according to EN 61984:
10A 400V 6kV 3
- insulation resistance: > 10 GOhm
- ambient temperature limit: -40 °C ... +125 °C
- made of self-extinguishing thermoplastic resin UL 94 V0
- mechanical life: > 500 cycles
- contact resistance: < 1 mOhm
- inserts for conductors section:
0.14 - 2.5 mm² - AWG 26 - 14
- for wires with crimped ferrule, usable section:
up to 1.5 mm² (AWG 16)
- conductors stripping length: 9...11 mm
- enclosures: size 57.27:
C-TYPE IP65/IP66
C7 IP67 stainless steel lever
V-TYPE IP65/IP66 stainless steel lever
T-TYPE IP65 insulating
JEI zinc-plated steel lever
BIG hoods
W-TYPE for aggressive environment
EMC
central lever
IP68
LS-TYPE
- panel supports: COB

Dimensions shown in mm are not binding and may be changed without notice.

Connection with spring terminal



CR CDS coding pin

California Proposition 65 Information



WARNING

This product can expose you to lead and its compounds, known to the State of California to cause cancer and/or reproductive toxicity. For more information go to www.P65Warnings.ca.gov.