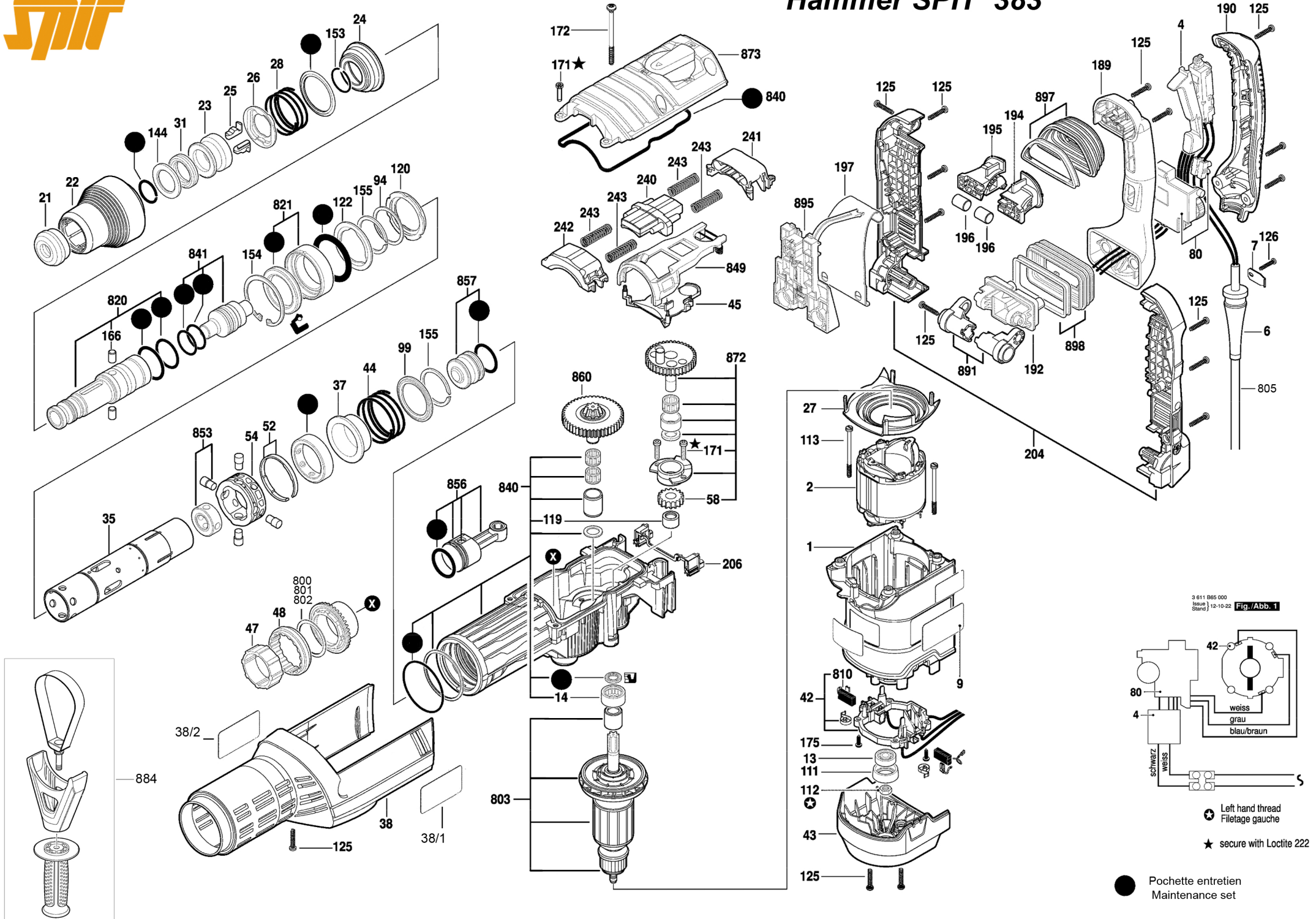
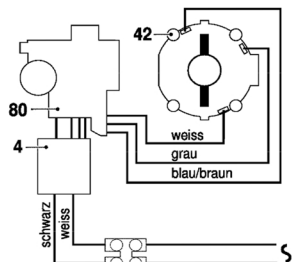




Hammer SPIT 383



3 611 986 000
Issue / Stand | 12-10-22 | Fig./Abb. 1



⊗ Left hand thread
Filetage gauche
★ secure with Loctite 222

● Pochette entretien
Maintenance set



Spare parts list Spit 383

Rep.	Code	Description	Désignation
1	653130	Motor Housing	CARTER MOTEUR
2	361495	Field 220-240V	STATOR 230V
4	653131	Switch	INTERRUPTEUR
6	116350	Grommet Ø9,7-Ø12x89 MM	PROTEGE-CABLE
7	355080	Fastening Clamp	SERRE CABLE
9	653132	Sticker	ETIQUETTE
13	361493	groove ball bearing 8x24x8	ROULEMENT A BILLES
14	364040	Needle-Roller Bearing	ROULEMENT INDUIT
21	653133	Protective Cap	BAGUE ARRET MANCHON
22	653134	Protection Sleeve	MANCHON PROTECTION
23	653135	Stop Sleeve	RONDELLE MANCHON
24	653136	Headed Bush	RONDELLE
25	355210	Stopping Device	ERGOT RETENUE
26	653137	Indexing Disk	RESSORT MANCHON
27	653138	Air-Deflector Ring	DEFLECTEUR D AIR
28	653139	Compression Spring	RESSORT COMPRESSION
31	653140	Damping Ring	RONDELLE
35	653141	Hammer Pipe	PERCUTEUR
37	653142	Control Bushing	BAGUE
38	653145	Covering hood ORANGE	CARTER
38/1	653146	Left label Spit 383	ETIQUETTE GAUCHE SPIT 383
38/2	653143	Right label Spit 383	ETIQUETTE DROITE SPIT 383
42	653144	Brush Holder	PORTE BALAI
43	653147	Brush-Cover	CAPOT
44	653148	Compression Spring	RESSORT COMPRESSION
45	653149	Holding-Down-Appliance	PLAQUE D APPUI
47	653150	Gear Sleeve	DOUILLE
48	653151	Clutch Sleeve	ANNEAU
52	653152	Retaining snap ring	CIRCLIP RETENUE
54	653153	Spacer Tube	DOUILLE D ECARTEMENT
58	653154	Cylindrical Gear	ROUE CYLINDRIQUE
80	653203	Speed governor	REGULATEUR DE VITESSE
94	653155	Supporting Disc	RONDELLE D APPUI
99	653156	Backup ring	RONDELLE
111	361501	Bushing	BAGUE
112	653157	Hex Nut	ECROU HEX
113	351130	Tapping Screw B 4,8x68 MM	VIS DE POIGNEE 383
119	652468	Needle-Roller Bearing	ROULEMENTAIGUILLES
120	653158	Spacer Tube	DOUILLE D ECARTEMENT
122	653159	Spacer Ring	ENTRETOISE
125	653160	Torx Oval-Head Screw	VIS
126	652724	Torx Oval-Head Screw 4x20	VIS 4X20
144	653161	Supporting Disc	RONDELLE
153	364540	Retaining ring DIN 7993 A 30	CIRCLIP PORTE OUTIL
154	653162	ring retaining ring DIN 472 62x2 MI	ANNEAU DE RETENUE
155	653163	Retaining ring	ANNEAU
166	653164	Cylindrical Roller	ROULEAU CYLINDRIQUE
171	652959	Torx socket button screw	VIS
172	653165	Torx Oval-Head Screw	VIS TORX



Spare parts list Spit 383

175	653166	Torx Oval-Head Screw 4x12	VIS
189	653167	Handle	POIGNEE
190	653168	Handle Cover	COUVERCLE POIGNEE
192	653169	Rocker Foot	RACCORD POIGNEE
194	653170	Screw Plate	PLAQUE
195	653171	Screw Plate	PLAQUE
196	653172	Damping rubber	TAMPON
197	653173	Leaf Spring	RESSORT LAME
204	653174	Rear Housing Section	CARTER ARRIERE
206	653175	Holding strip	BANDE DE MAINTIEN
240	653176	Counterweight	CONTREPOIDS
241	653177	Guide Piece	PIECE DE GUIDAGE
242	653178	Guide Piece	PIECE DE GUIDAGE
243	653179	Compression Spring	RESSORT COMPRESSION
800	653180	Shim 0,2 MM	RONDELLE DE COMPENSATION
801	653182	Shim	RONDELLE DE COMPENSATION
802	653183	Shim	RONDELLE DE COMPENSATION
803	653184	Armature 230V	MOTEUR 230V
805	355060	Supply power cord 2x1mm	CABLE ALIMENTATION 2X1MM
810	653185	Carbon-Brush Set	PAIRE DE BALAIS
820	653186	Toolholder	PORTE OUTIL
821	653187	Plain bearing	PALIER GLISSEUR
840	653188	Impact Mechanism Housing	ENS.BOITE MECANIQUE
841	653189	Striker Pin	PERCUTEUR
849	653190	Control Fork	FOURCHETTE DE COMMANDE
853	653191	Guide Bushing	DOUILLE DE GUIDAGE
856	653192	Hammer Piston	PISTON
857	653193	Striker	FRAPPEUR
860	653194	Spur Wheel Clutch	EMBAYAGE
872	653195	Eccentric	EXCENTRIQUE
873	653196	Housing Cover	COUVERCLE CARTER
884	653197	Auxiliary Handle	POIGNEE AUXILIAIRE
891	653198	Rocker Arm	LEVIER
895	653199	Diaphragm	PLAQUE
897	653200	Bellows	SOUFFLET
898	653201	Bellows	SOUFFLET
899	653202	Service package	POCHETTE ENTRETIEN

