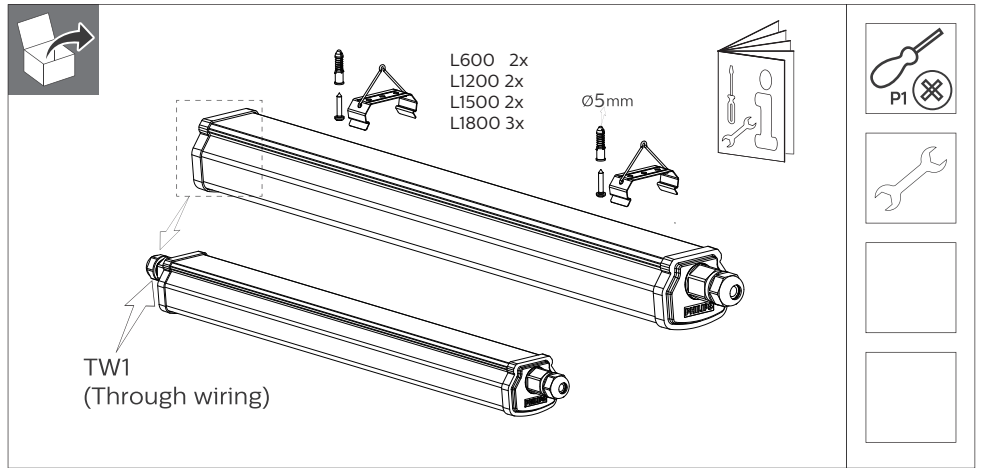


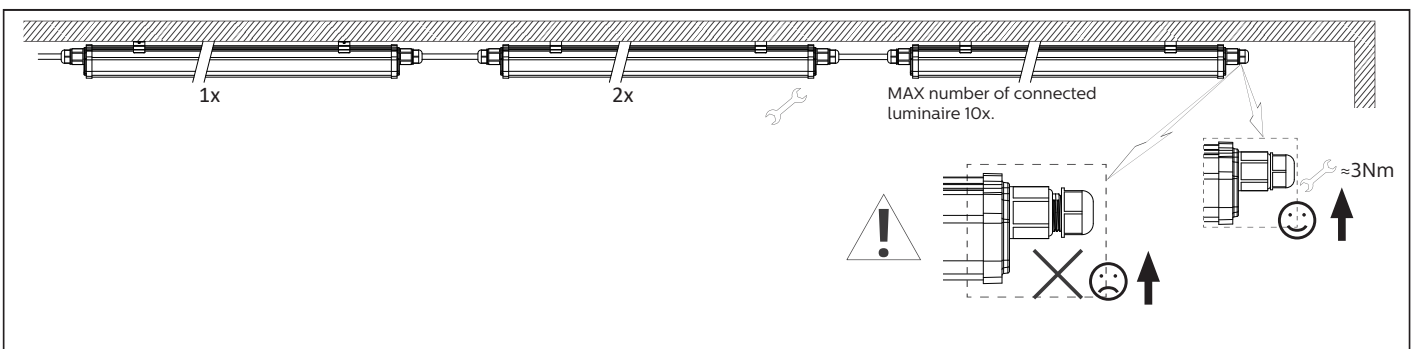
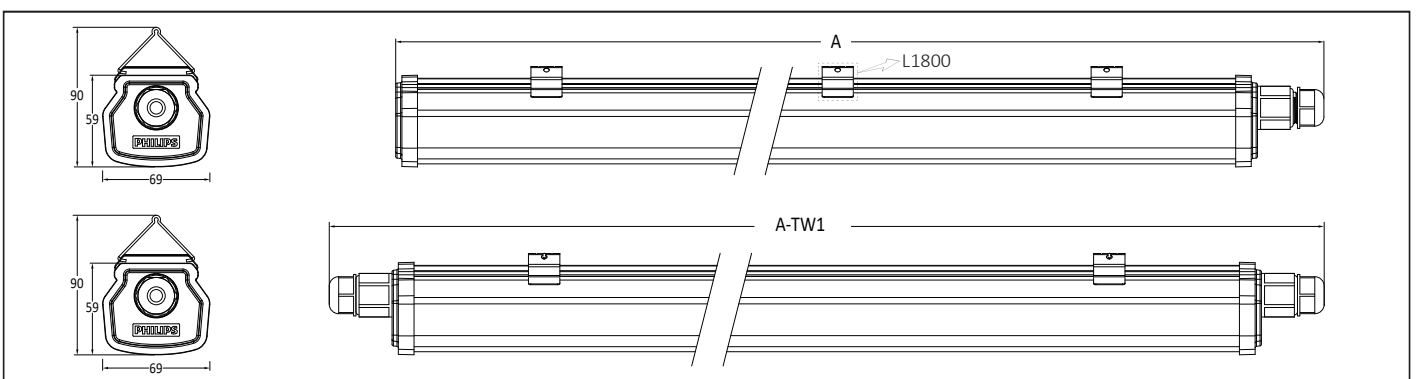
PHILIPS

Ledinaire Waterproof

WT060C

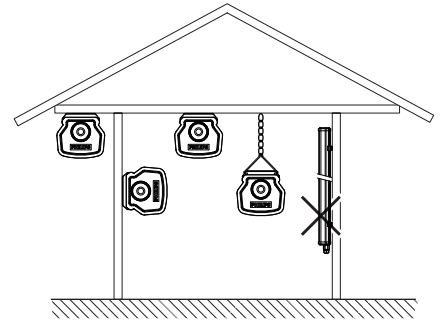


Type		System lumen (Lm)	CCT	P(W)	A	A-TW1	
WT060C LED18S/840 PSU L600		1800	4000K	15	611		0.38
WT060C LED25S/840 PSU L1200		2500	4000K	20	1201		0.75
WT060C LED25S/840 PSU TW1 L1200	●	2500	4000K	20		1258	0.80
WT060C LED36S/840 PSU L1200		3600	4000K	30	1201		0.75
WT060C LED36S/865 PSU L1200		3600	6500K	30	1201		0.75
WT060C LED36S/840 PSU TW1 L1200	●	3600	4000K	30		1258	0.80
WT060C LED34S/840 PSU L1500		3400	4000K	28	1501		0.95
WT060C LED34S/840 PSU TW1 L1500	●	3400	4000K	28		1558	1.00
WT060C LED56S/840 PSU L1500		5600	4000K	46	1501		0.95
WT060C LED56S/865 PSU L1500		5600	6500K	46	1501		0.95
WT060C LED56S/840 PSU TW1 L1500	●	5600	4000K	46		1558	1.00
WT060C LED80S/840 PSU L1800		8000	4000K	65	1801		1.21





- The luminaire shall be installed by a qualified electrician and wired in accordance with the latest IEE electrical regulations or the national requirements.
- The LED driver is not serviceable and not replaceable.
- The light source of this luminaire is not replaceable; when the light source reaches its end of life the whole luminaire shall be replaced
- Luminaire must not be used or stored in corrosive environments where hazardous materials such as sulphur, chlorine, phthalates, etc, are present.



ATTENTION
OBSERVE PRECAUTIONS
FOR HANDLING
ELECTROSTATIC
SENSITIVE
DEVICES

1

2

L600, L1200, L1500 2x
L1800 3x

3

4

Inrush current

	LED18S	LED25S	LED25S TW1	LED34S	LED34S TW1	LED36S	LED36S TW1	LED56S	LED56S TW1	LED80S
Electrical characteristics										
Inom (mA)	70	95	95	125	125	140	140	220	220	300
Imax (A)	2.5	2.3	2.3	2.9	2.9	3	3	3.6	3.6	4.4
Tref(µs)	95	105	105	110	110	101	101	122	122	136
MCB Luminaire Max.										
B-10A	35	32	10	28	10	28	10	25	10	13
B-16A	55	50	10	45	10	45	10	40	10	20
C-10A	55	50	10	45	10	45	10	40	10	20
C-16A	94	85	10	77	10	77	10	68	10	34

© 2019 Signify Holding.
All rights reserved. This document contains information relating to the product portfolio of Signify which information may be subject to change. No representation or warranty as to the accuracy or completeness of the information included herein is given and any liability for any action in reliance thereon is disclaimed. The information presented in this document is not intended as any commercial offer and does not form part of any quotation or contract. Philips and the Philips Shield Emblem are registered trademarks of Koninklijke Philips N.V.. All other trademarks are owned by Signify Holding or their respective owners.



Signify Holding.
The Netherlands