



Product designation	Power contactor		
Product type designation	BFK115		
Contact characteristics			
Number of poles	Nr.	3	
Rated insulation voltage U_i IEC/EN	V	690	
Rated impulse withstand voltage U_{imp}	kV	8	
Operational frequency	min	Hz	25
	max	Hz	400
IEC Conventional free air thermal current I_{th}	A	160	
Rated operational power AC-6b ($T \leq 40^\circ C$)	230V	kvar	45
	400V	kvar	75
	440...480V	kvar	85
	690V	kvar	135
Short-time allowable current for 10s (IEC/EN60947-1)	A	920	
Protection fuse	gG (IEC)	A	160
		A	1500
Making capacity (RMS value)	A	1500	
Breaking capacity at voltage	440V	A	1200
	500V	A	850
	690V	A	905
Resistance per pole (average value)	m Ω	0.45	
Power dissipation per pole (average value)	I_{th}	W	11.5
Tightening torque for terminals	min	Nm	6
	max	Nm	7
	min	Ibin	4.4
	max	Ibin	5.2
Tightening torque for coil terminal	min	Nm	0.8
	max	Nm	1
	min	Ibin	0.59
	max	Ibin	0.74
Max number of wires simultaneously connectable	Nr.	2	
Conductor section	AWG/Kcmil	max	2/0
	Flexible w/o lug conductor section	min	mm ² 1.5
		max	mm ² 70
Flexible c/w lug conductor section	min	mm ²	1.5

		max	mm ²	70
Power terminal protection according to IEC/EN 60529				IP20 front
Mechanical features				
Operating position		normal allowable		Vertical plan ±30°
Fixing				Screw / DIN rail 35mm
Weight			g	2095
Conductor section	AWG/kcmil conductor section	max		2/0
Operations				
Mechanical life			cycles	15000000
Electrical life			cycles	1200000
Safety related data				
Performance level B10d according to EN/ISO 13489-1		rated load mechanical load	cycles cycles	400000 15000000
EMC compatibility				yes
AC coil operating				
Rated AC voltage at 50/60Hz			V	230
AC operating voltage	of 50/60Hz coil powered at 50Hz			
	pick-up	min	%Us	80
		max	%Us	110
	drop-out	min	%Us	20
		max	%Us	55
	of 50/60Hz coil powered at 60Hz			
	pick-up	min	%Us	85
		max	%Us	110
	drop-out	min	%Us	40
		max	%Us	55
AC average coil consumption at 20°C	of 50/60Hz coil powered at 50Hz	holding	VA	20
	of 50/60Hz coil powered at 60Hz	in-rush	VA	300
		holding	VA	17
	of 60Hz coil powered at 60Hz	in-rush	VA	300
		holding	VA	20
Dissipation at holding ≤20°C 50Hz			W	6.5
Max cycles frequency				
Mechanical operation			cycles/h	1500
Operating times				
Average time for Us control	in AC	Closing NO	min	ms
				16

Opening NO	max	ms	32
	min	ms	9
	max	ms	24

UL technical data

General USE

Contactor

AC current A 160

Ambient conditions

Temperature

Operating temperature

min °C -50
max °C 70

Storage temperature

min °C -60
max °C 80

Max altitude

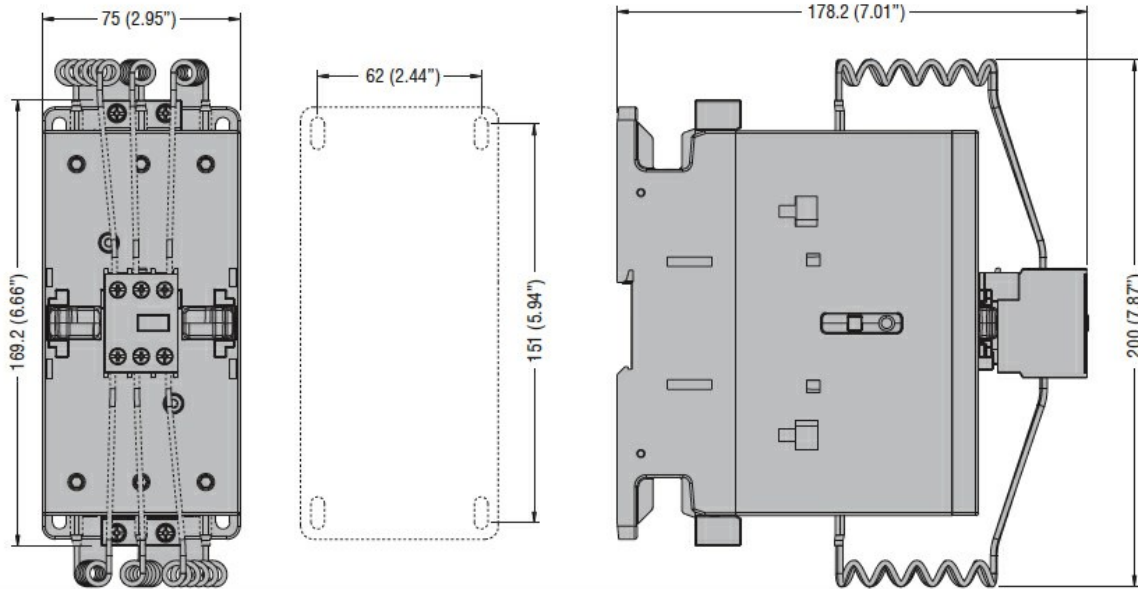
m 3000

Resistance & Protection

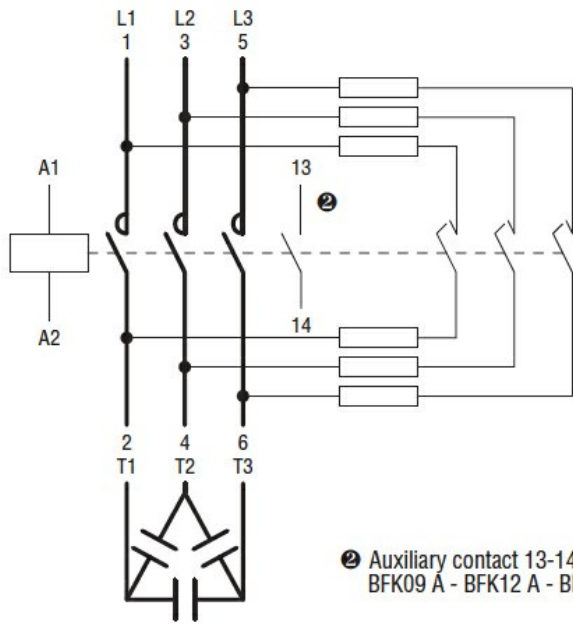
Pollution degree

3

Dimensions



Wiring diagrams



Ⓜ Auxiliary contact 13-14 is found on BFK09 A - BFK12 A - BFK18 A types only.

Certifications and compliance

Compliance

CSA C22.2 n° 60947-1

CSA C22.2 n° 60947-4-1

IEC/EN/BS 60947-1

IEC/EN/BS 60947-4-1

UL 60947-1

UL 60947-4-1

Certificates

CCC

cULus

ETIM classification

ETIM 8.0

EC001079 -
Capacitor
contactor