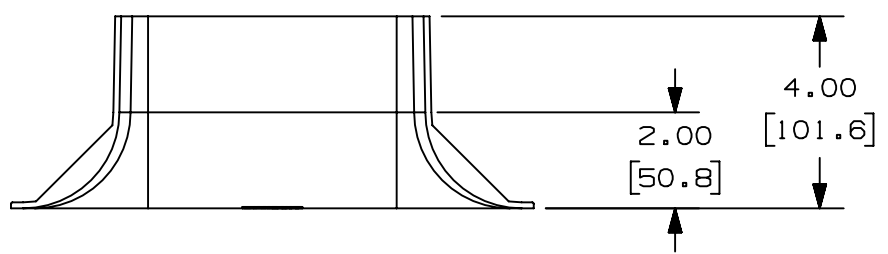


2

1

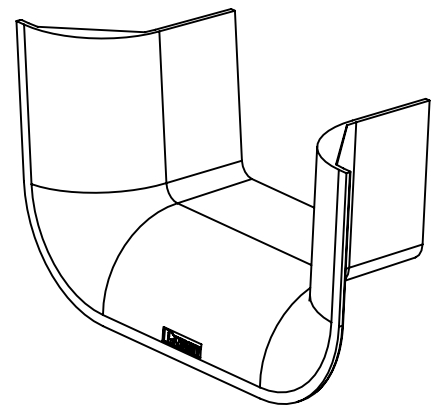
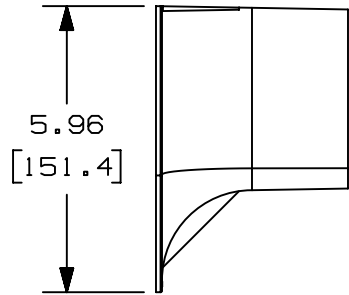
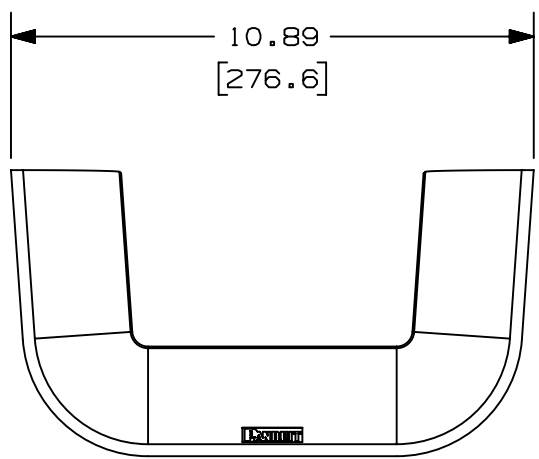
THIS COPY IS PROVIDED ON A RESTRICTED BASIS AND IS NOT TO BE USED IN ANY WAY DETRIMENTAL TO THE INTERESTS OF PANDUIT CORP.

PANDUIT PART NUMBER	WEIGHT	MATERIAL
FRTR6X4**	0.4 LB/EACH (181g/EACH)	ABS
FRTR6X4L**	0.4 LB/EACH (181g/EACH)	PC/ABS



**NOTES:**

1. SEE CURRENT CATALOG FOR ADDITIONAL PART SUFFIXES TO INDICATE COLOR AND/OR PACKAGE QUANTITY.
2. THE FIBERRUNNER 6x4 3-SIDED BEND RADIUS CONTROL TRUMPET IS DESIGNED WITH A MINIMUM 2" (50.8) BEND RADIUS TO PROTECT FIBER OPTIC CABLES.
3. DIMENSIONS IN PARENTHESES ARE IN METRIC.



REV	DATE	BY	CHK	APR	DESCRIPTION	ECN
04A	1-14-20	MES	DWR	DWR	J. ADDED FRTR6X4L** PART NUMBER	V09002DZ/01
3	05-16-13	JBN	RTFI	RN	I. UPDATED DRAWING BORDER & TITLE BLOCK	37185-95

TITLE <b>FIBERRUNNER 6X4 3-SIDED BEND RADIUS CONTROL TRUMPET - FRTR6X4**, FRTR6X4L**</b>		<b>PANDUIT</b>
CUSTOMER DRAWING		
ITEM REVISION NAME D37185FM/03		MATERIAL: <b>SEE PART NUMBER TABLE ABOVE</b>
DATASET FILE NAME D37185FM_DC/04A		
UNLESS OTHERWISE SPECIFIED, DIMENSIONAL TOLERANCES ARE: IN [ mm ] .X ± .03 [ .8 ]      .XXX ± ANGLS ±		DRAWING NUMBER: 37185-95
THIRD ANGLE PROJECTION		
DRAWN BY JHNU	DATE 01-22-01	CHK RPA
SCALE NONE	SHT 1 OF 1	SIZE A

2

1

D101000A/15