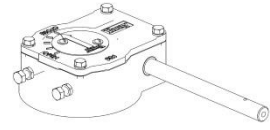
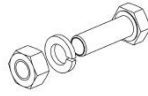


1

Gearbox
Part No.

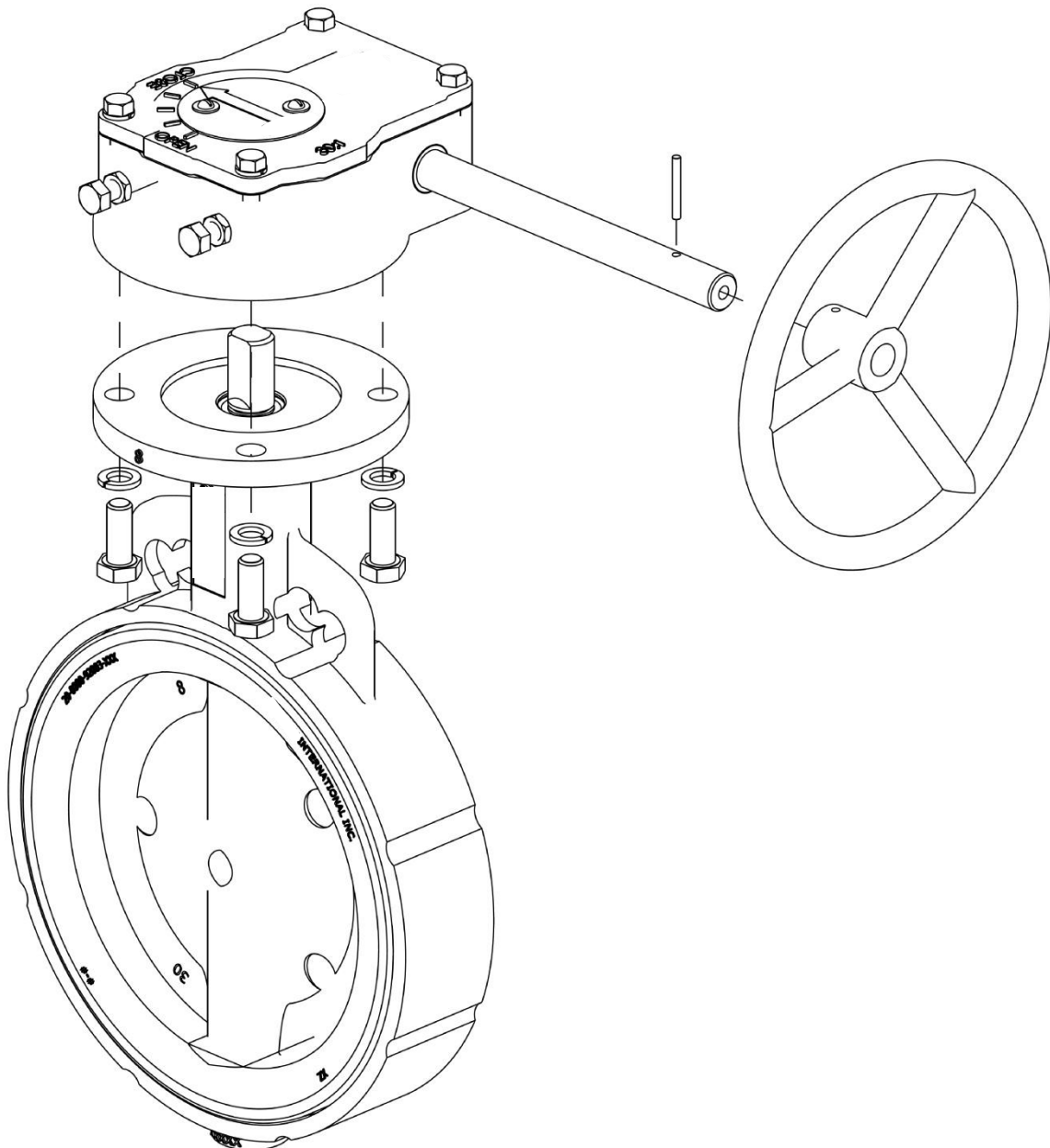
DN

ISO
5211

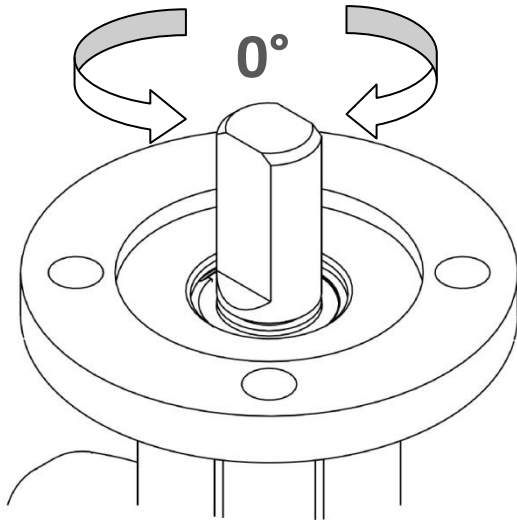


917-0300-000	250 .. 300	F 12	4x	M 12	1	1
917-0400-000	350 .. 400	F 12	4x	M 12	1	1
917-0500-000	450 .. 500	F 16	4x	M 20	1	1

2

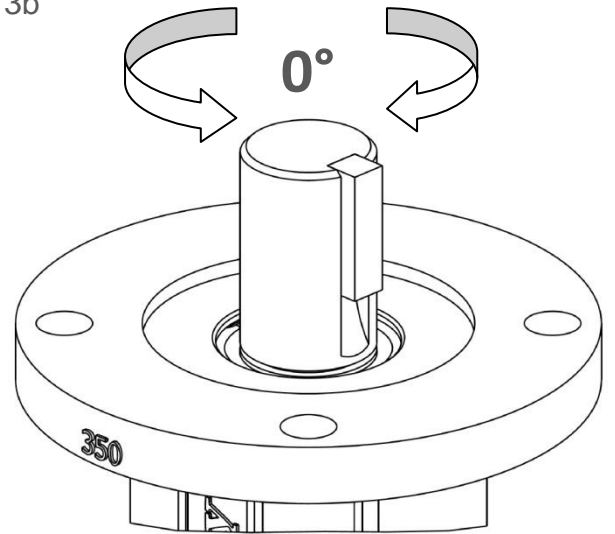


3a



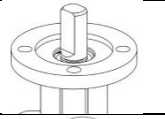
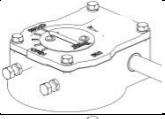
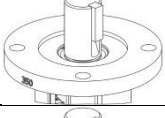
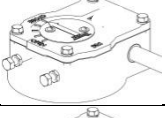


DN 250 .. DN 300

3b



DN 350 .. DN 500

4

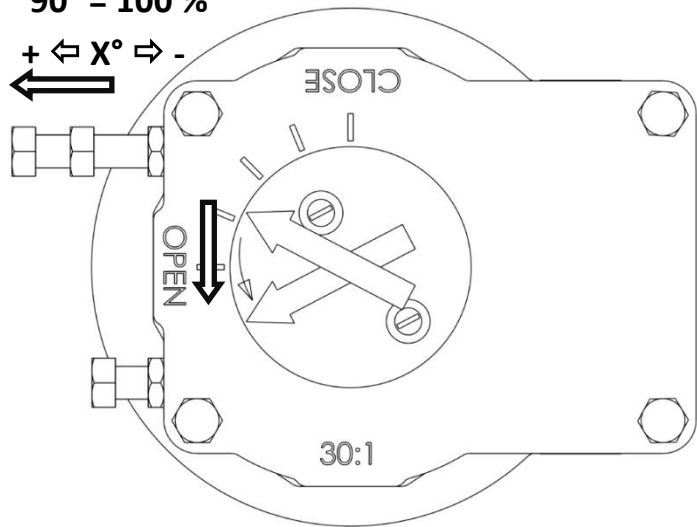
DN	VF2x9W-xxxCN	917-0x000-000	
250 .. 300			917-0300-000
350 .. 400			917-0400-000
450 .. 500			917-0500-000

5

Open position end-stop adjustment

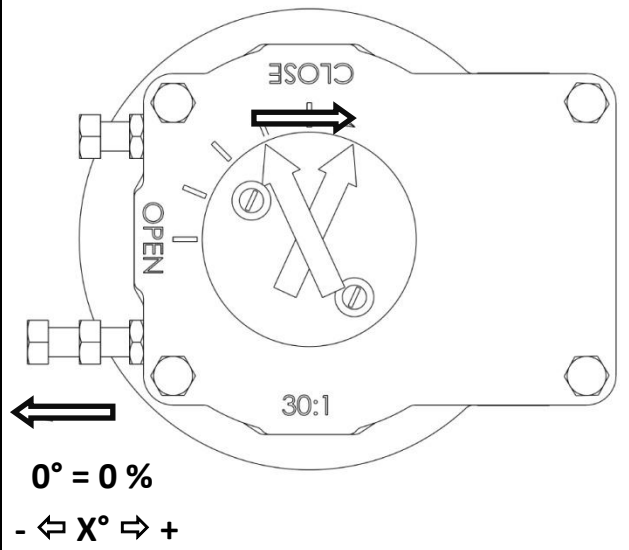
90° = 100 %

+ ← X° → -

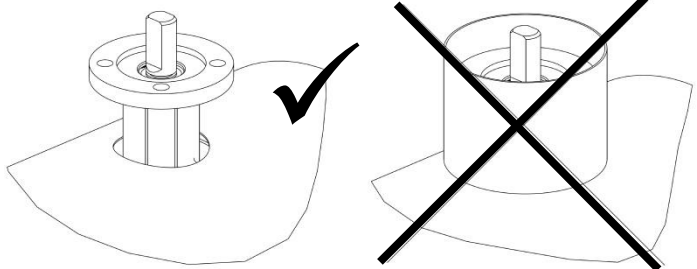


6

Closed position end stop adjustment



7



BGY-000208