



LD-LRS3600

LD-LRS

2D LIDAR SENSORS

SICK
Sensor Intelligence.



Ordering information

| Type | Part no. |
|------------|----------|
| LD-LRS3600 | 1060831 |

Other models and accessories → www.sick.com/LD-LRS



Detailed technical data

Features

| | |
|---------------------------|---|
| Application | Outdoor |
| Light source | Infrared (905 nm) |
| Laser class | 1 (IEC 60825-1:2014, EN 60825-1:2014) |
| Aperture angle | Horizontal 360° |
| Scanning frequency | 5 Hz ... 15 Hz |
| Angular resolution | 0.125°, Interlaced: 0,0625 0.125° 0.1875° 0.25° 0.375° 0.5° 0.75° 1° |
| Heating | Yes |
| Working range | 2.5 m ... 250 m |
| Scanning range | |
| At 10% remission factor | 80 m |
| At 90% remission factor | 250 m |

Mechanics/electronics

| | |
|-------------------------------|---------------------------------------|
| Connection type | 1 x 20-pin Harting plug |
| Supply voltage | 24 V DC, ± 15 % |
| Power consumption | 36 W, + 140 W heating |
| Housing | PU (polyurethane rigid integral foam) |
| Housing color | Gray (RAL 7032) |
| Enclosure rating | IP67 |
| Protection class | III |
| Weight | 9.1 kg |
| Dimensions (L x W x H) | 250 mm x 350 mm x 391.1 mm |

| | |
|-------------|----------|
| MTBF | 86 years |
|-------------|----------|

Safety-related parameters

| | |
|-------------------------|-------------|
| MTTF_D | > 100 years |
|-------------------------|-------------|

Performance

| | |
|--------------------------------------|-----------------------|
| Detectable object shape | Almost any |
| Systematic error | ± 38 mm ¹⁾ |
| Statistical error | 30 mm ¹⁾ |
| Integrated application | Field evaluation |
| Number of field sets | 6 fields |
| Simultaneous evaluation cases | 10 |

¹⁾ Typical value; actual value depends on environmental conditions.

Interfaces

| | |
|---------------------------|--|
| Ethernet | ✓, TCP/IP, RS-422 |
| Data transmission rate | ≤ 100 Mbit/s 19,200 Baud ... 115,200 Baud |
| Digital outputs | 4 (digital) |
| Optical indicators | 0 |

Ambient data

| | |
|--------------------------------------|-------------------|
| Ambient operating temperature | -25 °C ... +50 °C |
| Storage temperature | -25 °C ... +80 °C |

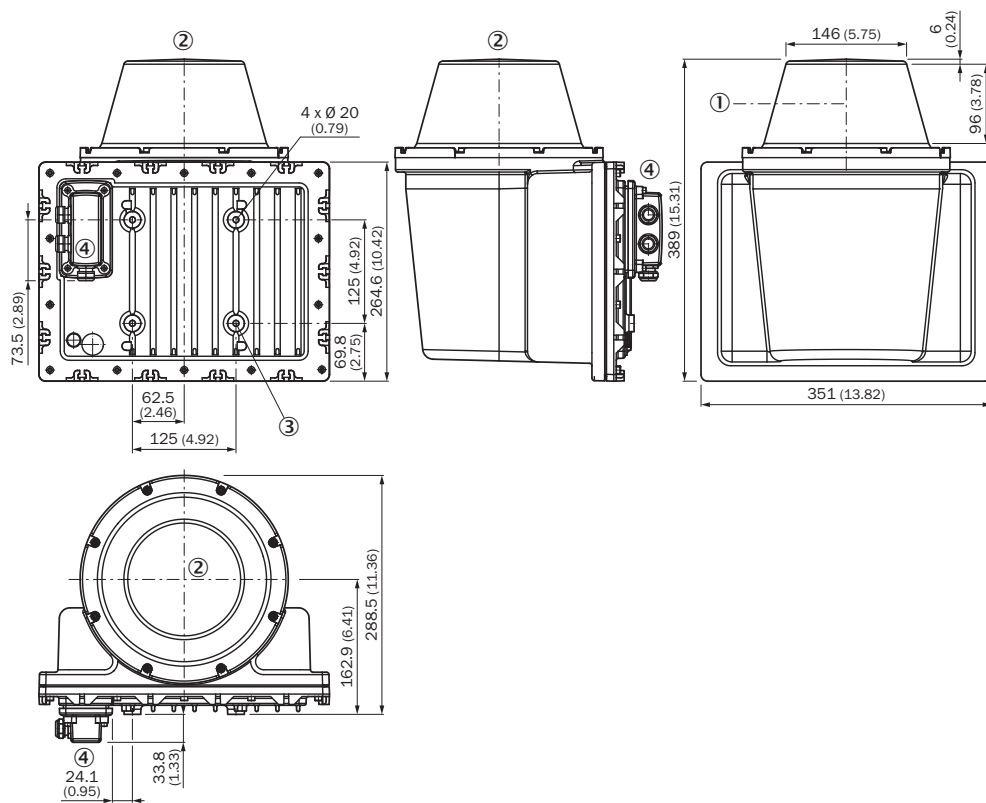
General notes

| | |
|--------------------|---|
| Note on use | The sensor does not constitute a safety component as defined by relevant legislation on machine safety. |
|--------------------|---|

Classifications

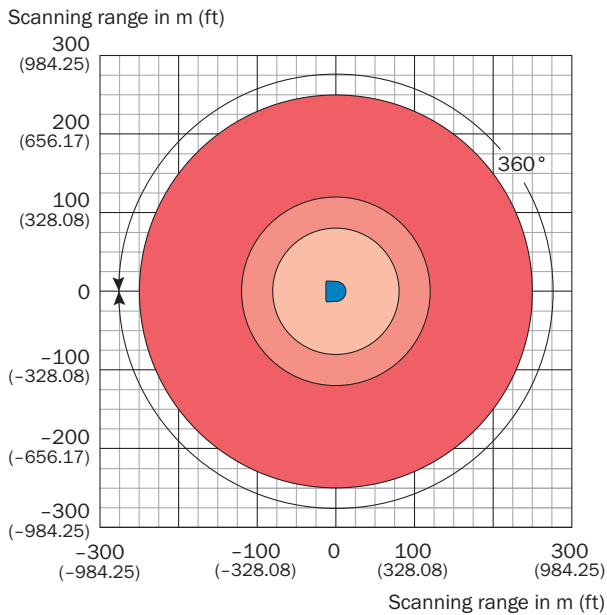
| | |
|-----------------------|----------|
| ECLASS 5.0 | 27270990 |
| ECLASS 5.1.4 | 27270990 |
| ECLASS 6.0 | 27270913 |
| ECLASS 6.2 | 27270913 |
| ECLASS 7.0 | 27270913 |
| ECLASS 8.0 | 27270913 |
| ECLASS 8.1 | 27270913 |
| ECLASS 9.0 | 27270913 |
| ECLASS 10.0 | 27270913 |
| ECLASS 11.0 | 27270913 |
| ECLASS 12.0 | 27270913 |
| ETIM 5.0 | EC002550 |
| ETIM 6.0 | EC002550 |
| ETIM 7.0 | EC002550 |
| ETIM 8.0 | EC002550 |
| UNSPSC 16.0901 | 41111615 |

Dimensional drawing (Dimensions in mm (inch))



- ① Optical axis
- ② Zero level
- ③ Mounting hole M6 threaded -9 mm deep
- ④ RS-232/Ethernet/Power connection (20-pin harting connector)


Working range diagram



- Scanning range max. 250 m (820.21 ft)
- Scanning range white targets
90 % remission 250 m (820.21 ft)
- Scanning range for objects up to
10 % remission 120 m (393.70 ft) Extended
- Scanning range for objects up to
10 % remission 80 m (262.47 ft)

Recommended accessories

Other models and accessories → www.sick.com/LD-LRS

| | Brief description | Type | Part no. |
|---|--|--------------|----------|
| Mounting brackets and plates | | | |
|  | Mounting kit for wall-mounting (adjustment bracket), Steel, zinc coated (1.0330) | Mounting kit | 2018303 |

Recommended services

Additional services → www.sick.com/LD-LRS

| | Type | Part no. |
|--|--|----------|
| Commissioning | | |
| <ul style="list-style-type: none"> • Product area: 2D LiDAR sensors, 3D LiDAR sensors • Range of services: Inspection of connection, fine adjustment, configuration of monitored areas, configuration and optimization of parameters as well as tests, Setup of previously defined functions of basic settings, parameters of field application, filters for raw data output and product-specific configuration • Travel expenses: The prices do not include travel costs such as hotel, flight, travel time and expenses. • Duration: Additional work will be invoiced separately | Commissioning LiDAR sensors | 1680672 |
| Maintenance | | |
| <ul style="list-style-type: none"> • Product area: 2D LiDAR sensors, 3D LiDAR sensors • Range of services: Inspection, analysis and restoring of defined functions, Inspection and adaptation of basic settings, parameters of field application, filters for raw data output, and product-specific configuration • Duration: Additional work will be invoiced separately • Travel expenses: The prices do not include travel costs such as hotel, flight, travel time and expenses. | Maintenance of LiDAR sensors | 1682593 |
| Extended warranty | | |
| <ul style="list-style-type: none"> • Product area: Identification solutions, machine vision, Detection and ranging solutions, safety camera sensors, Safety laser scanners, Safety radar sensors • Range of services: The services correspond to the scope of the statutory manufacturer warranty (SICK general terms of delivery). • Duration: Five-year warranty from delivery date. | Extended warranty for a total of five years from delivery date | 1680671 |

SICK AT A GLANCE

SICK is one of the leading manufacturers of intelligent sensors and sensor solutions for industrial applications. A unique range of products and services creates the perfect basis for controlling processes securely and efficiently, protecting individuals from accidents and preventing damage to the environment.

We have extensive experience in a wide range of industries and understand their processes and requirements. With intelligent sensors, we can deliver exactly what our customers need. In application centers in Europe, Asia and North America, system solutions are tested and optimized in accordance with customer specifications. All this makes us a reliable supplier and development partner.

Comprehensive services complete our offering: SICK LifeTime Services provide support throughout the machine life cycle and ensure safety and productivity.

For us, that is “Sensor Intelligence.”

WORLDWIDE PRESENCE:

Contacts and other locations –www.sick.com