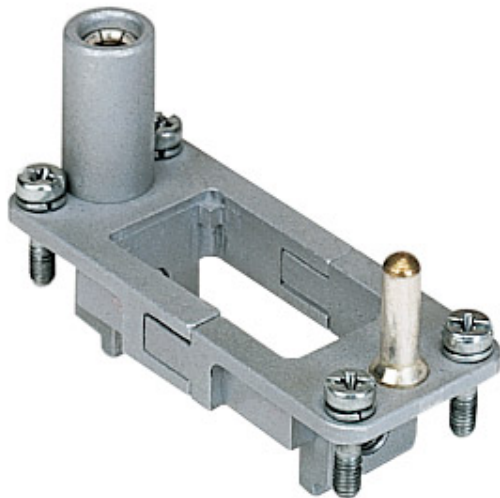


Part number

CX 01 T



Frame for Mixo inserts, 1 module, for 1 modular insert and enclosures size "49.16"

Product description

Product type	Frame for Mixo inserts
Size	1 module
Specification	For 1 modular insert and enclosures size "49.16"

Further technical details

Weight	38,00 g
UL 94 flammability rating	V-0

Approvals / Standards

UL	ECBT2
cUL	ECBT8

General ordering information

EAN13 code	8015747095891
eCl@ss 8.1	27440210
ETIM 7.0	EC002310

Packaging Information

Packaging length	205,00 mm
Packaging height	135,00 mm
Packaging width	135,00 mm
Packaging weight	2,55 kg
Packaging volume	3,74 dm ³
Packaging description	Carton box
Packaging quantity	60 Pcs
Packaging EAN code	8015747044363
Sub-packaging length	118,00 mm
Sub-packaging height	32,00 mm
Sub-packaging width	60,00 mm
Sub-packaging weight	0,26 kg
Sub-packaging volume	0,23 dm ³
Sub-packaging description	Carton tray
Sub-packaging quantity	6 Pcs
Sub-packaging EAN barcode	8015747112543

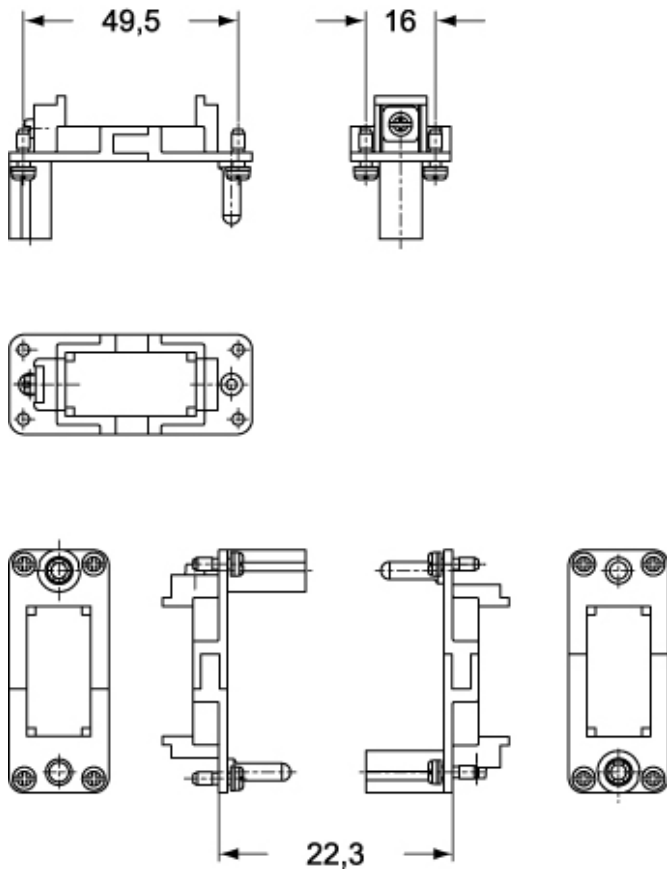
Part number

CX 01 T



Catalogue drawings

CX 01 T



Notes

Dimensions shown in mm are not binding and may be changed without notice.

California Proposition 65 Information



WARNING

This product can expose you to lead and its compounds, known to the State of California to cause cancer and/or reproductive toxicity. For more information go to www.P65Warnings.ca.gov.