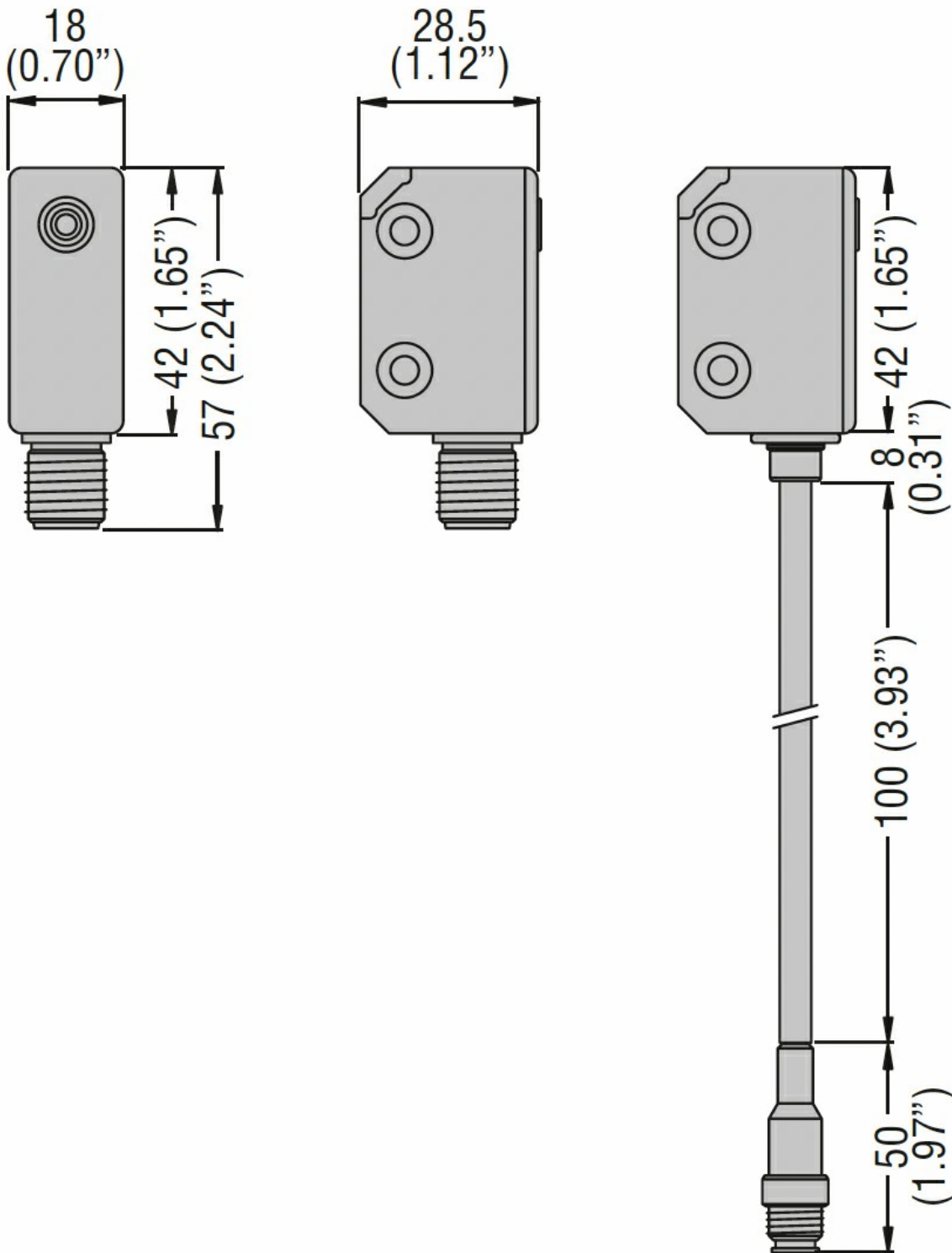


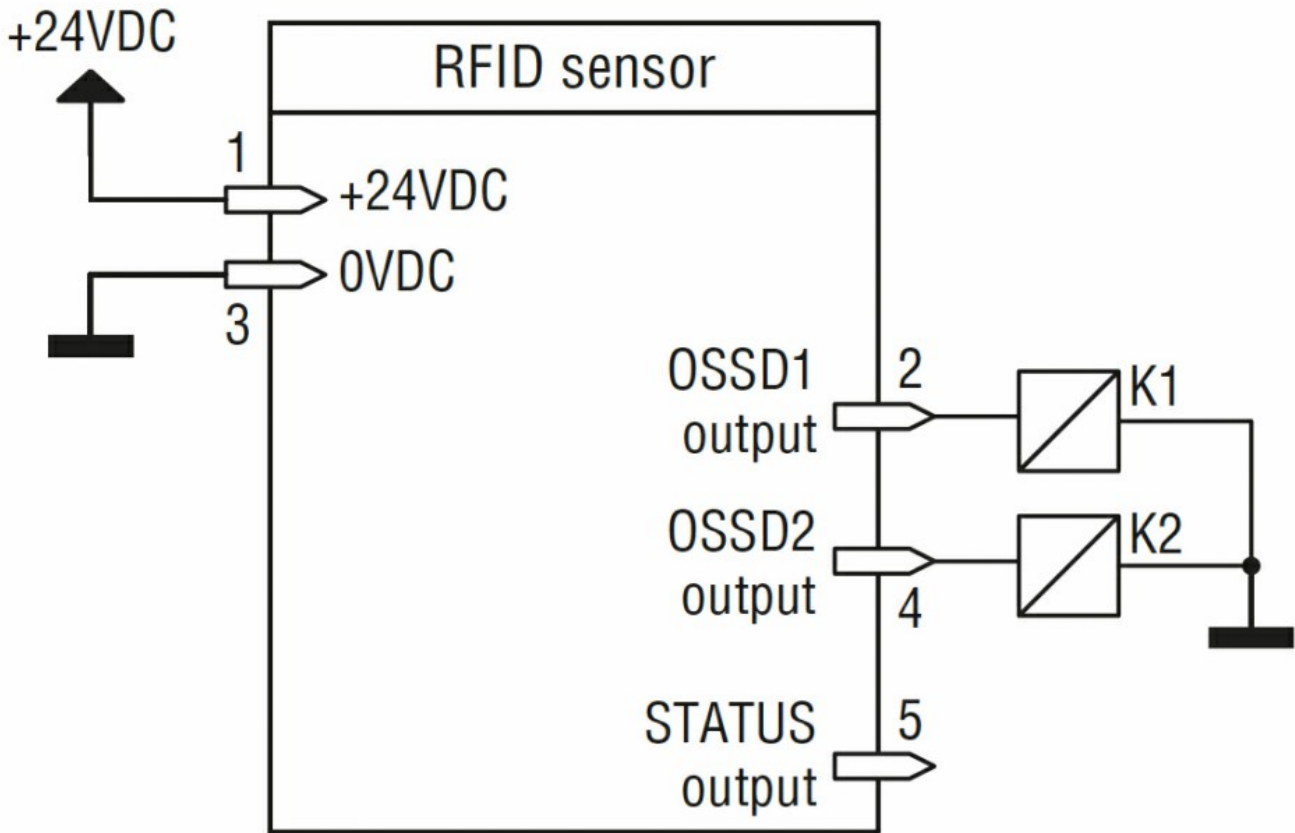


Product designation	SSF		
Product type designation	RFID safety sensor		
General characteristics			
General characteristics			
Coding type	Generic		
Switching distance	mm	10mm (X axis); 5mm (Y axis); 5mm (Z axis)	
Contact characteristics			
Type of contact	OSSD		
Auxiliary supply			
Nominal auxiliary voltage supply	24VDC		
Operating range	V	19...28	
Insulation voltage	kV	0.3	
Input characteristics			
Number of inputs	Nr.	2	
Output characteristics			
Number of safe OSSD outputs	nr.	2	
Number of feedback outputs	Nr.	1	
Output contacts ratings	300mA		
Safety parameters			
ISO 13849-1 security category	Cat. 4		
ISO 13849-1 performance level	PLe		
Mechanical features			
Cable connection	M12 Pigtail connector 15cm		
Fixing	Both directions		
Weight	g	56	
Ambient conditions			
Protection degree	IP67 and IP69K		
Pollution degree	2		
Temperature			
Operating temperature		min	°C -25
		max	°C +70
Storage temperature		min	°C -25
		max	°C +70
Relative humidity		%	<90%
Dimensions			



Wiring diagrams

AUTOMATIC START



Certifications and compliance

Compliance

Cat. 4

EN/BS 61508-1(SIL 3)

EN/BS 61508-2 (SIL 3)

EN/BS 61508-3 (SIL3)

IEC/BS 62061 (max. SIL 3).

PLe according to EN/BS 13849-1

Certificates

cULus

TÜV

ETIM classification

ETIM 8.0

EC001449 -
Device for
monitoring of
safety-related
circuits