

Fiche produit

Article n° 73.345.6435.0

Bas BAS GUT GG 24HM32 50 A0



Article n°	73.345.6435.0
EAN	4015573629943
Unité de commande	1 Piece(s)

certificats/approbations

Données techniques

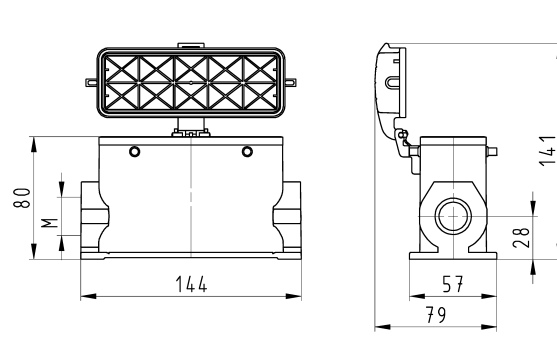
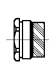

**général**

matière du boîtier	aluminium
Couleur	gris
Surface	Avec revêtement en poudre
Degré de protection (IP)	IP54
Résistant aux UV	Oui
classe d'inflammabilité des matériaux d'isolation selon la norme UL94	Autre
Température de fonctionnement min.	-40 °C
Portée max de température.	120 °C

**Model**

DIN-taille	24H
Model	Surface de montage (base)
Mecanisme de verrouillage	Double levier de verrouillage
entrée de câble	De côté
Type de câble	Ecrou presse-étoupe
Avec presse-étoupe	Oui
Taille du filetage M	32
Taille du filetage PG	
Le couvercle à charnière	Oui
EMC-version	Aucun
Longueur	144 mm
largeur	57 mm
hauteur	80 mm

**Dessin technique**

<p>These dimensions will be reported in mm if delivery with metric dimensions.</p> <p>These dimensions will be reported in inches if delivery with imperial dimensions.</p> <p>These dimensions will be reported in mm if delivery with metric dimensions.</p> <p>These dimensions will be reported in inches if delivery with imperial dimensions.</p>	 <p style="text-align: center;">Varianten/Variants .0</p> 	<p>These dimensions will be reported in mm if delivery with metric dimensions.</p> <p>These dimensions will be reported in inches if delivery with imperial dimensions.</p> <p>These dimensions will be reported in mm if delivery with metric dimensions.</p> <p>These dimensions will be reported in inches if delivery with imperial dimensions.</p>	<p>These dimensions will be reported in mm if delivery with metric dimensions.</p> <p>These dimensions will be reported in inches if delivery with imperial dimensions.</p> <p>These dimensions will be reported in mm if delivery with metric dimensions.</p> <p>These dimensions will be reported in inches if delivery with imperial dimensions.</p>																
<p>Bohrbild /Cut out</p> 																			
<table border="1" style="width:100%; border-collapse: collapse;"> <tr> <td style="width:15%;">73.34<sup>5</sup>.6435.1</td> <td style="width:15%;">BAS GUT GG 24H M32 A1</td> <td style="width:15%;">Dewindebohrung /Thread hole</td> <td style="width:15%; text-align: center;">X</td> </tr> <tr> <td>73.34<sup>5</sup>.6435.0</td> <td>BAS GUT GG 24H M32 A0</td> <td>Kabelverschraubung(KV), IP54 /Cable gland(CGI), IP54</td> <td></td> </tr> <tr> <td>Bestellnummer /Order number</td> <td>Typ /Type</td> <td>Varianten /Variants</td> <td>der- /partlist /Formal</td> </tr> <tr> <td colspan="3">                 Weitere Daten siehe KATALOG oder eCatalog. <a href="http://www.wieland-electric.com">www.wieland-electric.com</a>                  Additional data see CATALOG or eCatalog. <a href="http://eshop.wieland-electric.com">eshop.wieland-electric.com</a> </td> <td></td> </tr> </table>				73.34 <sup>5</sup> .6435.1	BAS GUT GG 24H M32 A1	Dewindebohrung /Thread hole	X	73.34 <sup>5</sup> .6435.0	BAS GUT GG 24H M32 A0	Kabelverschraubung(KV), IP54 /Cable gland(CGI), IP54		Bestellnummer /Order number	Typ /Type	Varianten /Variants	der- /partlist /Formal	Weitere Daten siehe KATALOG oder eCatalog. <a href="http://www.wieland-electric.com">www.wieland-electric.com</a> Additional data see CATALOG or eCatalog. <a href="http://eshop.wieland-electric.com">eshop.wieland-electric.com</a>			
73.34 <sup>5</sup> .6435.1	BAS GUT GG 24H M32 A1	Dewindebohrung /Thread hole	X																
73.34 <sup>5</sup> .6435.0	BAS GUT GG 24H M32 A0	Kabelverschraubung(KV), IP54 /Cable gland(CGI), IP54																	
Bestellnummer /Order number	Typ /Type	Varianten /Variants	der- /partlist /Formal																
Weitere Daten siehe KATALOG oder eCatalog. <a href="http://www.wieland-electric.com">www.wieland-electric.com</a> Additional data see CATALOG or eCatalog. <a href="http://eshop.wieland-electric.com">eshop.wieland-electric.com</a>																			
<table border="1" style="width:100%; border-collapse: collapse;"> <tr> <td colspan="4">                 Tolerierung Size ISO 14095(Tolerance system Size ISO 14095).                  (This ISO-standard describes the envelope principle. According to the envelope principle the deviations of form and position are limited by the size tolerance).             </td> </tr> <tr> <td colspan="2">                 Freitoleranz nach DIN ISO 2768 - m                  General tolerance             </td> <td colspan="2">                 (AB) - Zeichnung, keine manuellen Änderungen                  (AB) - drawing, no manual modifications allowed             </td> </tr> <tr> <td colspan="2">                 Werkstoff/Material: Aluminium                  Beschichtung/coated: beschichtet/ coated                  Oberflächenfinish: grau/gray                  Vol.: mm Ø11 /Sarl., mm             </td> <td colspan="2">                 Tag/Date: 25.08.2014                  Name: Trescher                  Zeichnung Nr./Drawing No.: 73.341.6435.0 13K             </td> </tr> <tr> <td colspan="2">                 Typ: revos BASIC                  Benennung/Title: GEHAUSEUNTERTEIL                  Baugröße 24H-Kabelabgang Tx M25/M32- links                  housing size 24H-cable outlet Tx M25/M32- left             </td> <td colspan="2">                 Blatt: 1 von 1                  Made in mm/dimensions are in mm             </td> </tr> </table>				Tolerierung Size ISO 14095(Tolerance system Size ISO 14095). (This ISO-standard describes the envelope principle. According to the envelope principle the deviations of form and position are limited by the size tolerance).				Freitoleranz nach DIN ISO 2768 - m General tolerance		(AB) - Zeichnung, keine manuellen Änderungen (AB) - drawing, no manual modifications allowed		Werkstoff/Material: Aluminium Beschichtung/coated: beschichtet/ coated Oberflächenfinish: grau/gray Vol.: mm Ø11 /Sarl., mm		Tag/Date: 25.08.2014 Name: Trescher Zeichnung Nr./Drawing No.: 73.341.6435.0 13K		Typ: revos BASIC Benennung/Title: GEHAUSEUNTERTEIL Baugröße 24H-Kabelabgang Tx M25/M32- links housing size 24H-cable outlet Tx M25/M32- left		Blatt: 1 von 1 Made in mm/dimensions are in mm	
Tolerierung Size ISO 14095(Tolerance system Size ISO 14095). (This ISO-standard describes the envelope principle. According to the envelope principle the deviations of form and position are limited by the size tolerance).																			
Freitoleranz nach DIN ISO 2768 - m General tolerance		(AB) - Zeichnung, keine manuellen Änderungen (AB) - drawing, no manual modifications allowed																	
Werkstoff/Material: Aluminium Beschichtung/coated: beschichtet/ coated Oberflächenfinish: grau/gray Vol.: mm Ø11 /Sarl., mm		Tag/Date: 25.08.2014 Name: Trescher Zeichnung Nr./Drawing No.: 73.341.6435.0 13K																	
Typ: revos BASIC Benennung/Title: GEHAUSEUNTERTEIL Baugröße 24H-Kabelabgang Tx M25/M32- links housing size 24H-cable outlet Tx M25/M32- left		Blatt: 1 von 1 Made in mm/dimensions are in mm																	
73.341643501.3K_1 CADW3028 Trescher 2014-11-25T09:09:08q 1.000																			