



Product designation

Direct-on-line
starter

Product type designation

M2P00911

Electrical features

Relay adj range

A 0.63-1

IEC technical characteristics ($\leq 440V$)

le	A	1
kW	kW	0.25

Mechanical features

Weight

g 1450

Ambient conditions

Operating temperature

min	°C	-25
max	°C	+60

Storage temperature

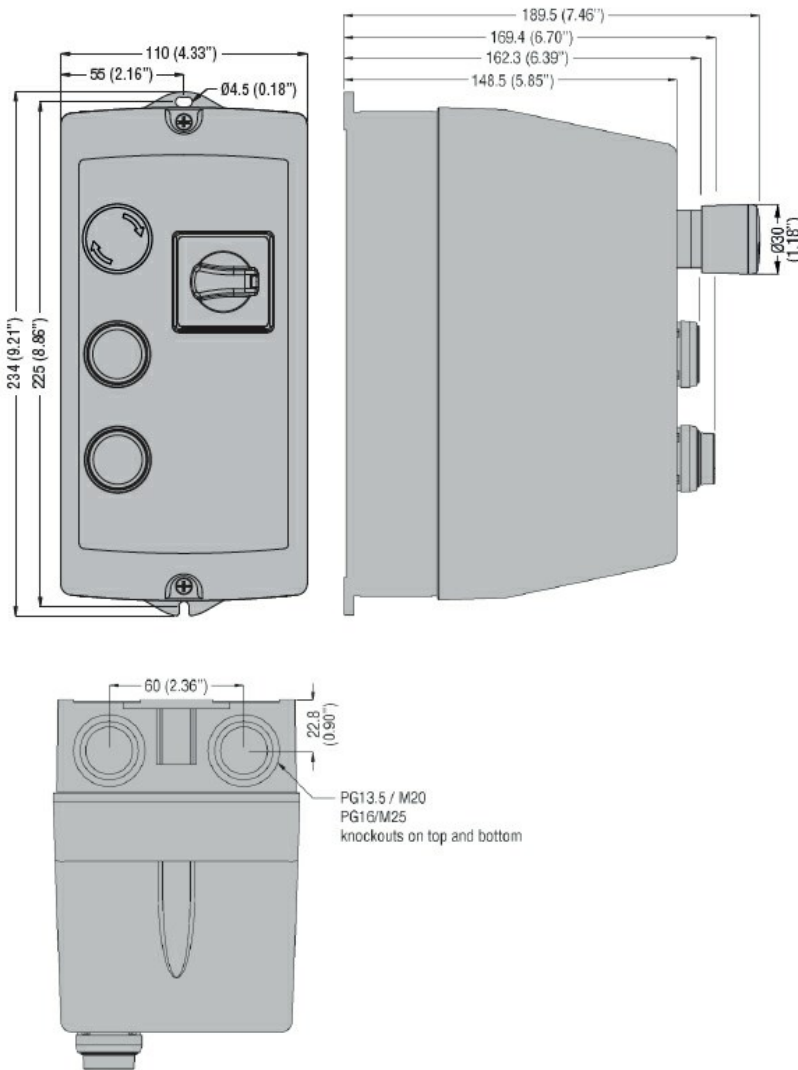
min	°C	-40
max	°C	+70

Resistance & Protection

Frontal IP degree

IP65

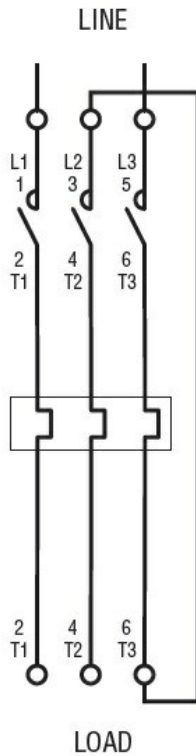
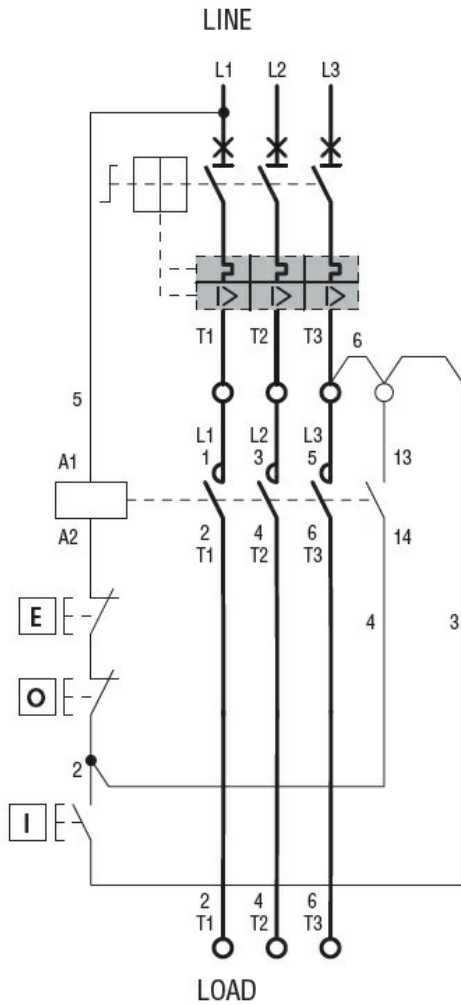
Dimensions



Wiring diagrams

Incorporated button control
and rotary actuator for 3-phase motors

Power
connection for 1-phase
motors



I = Start; O = Stop; E = Emergency Stop

Certifications and compliance

Compliance

IEC/EN 60947-1
IEC/EN 60947-4-1

Certificates

EAC

ETIM classification

ETIM 8.0

EC001037 -
Motor
starter/Motor
starter
combination